

PREPARED BY: <i>X. Yamada</i>	DATE: <i>March 6 1998</i>	<h1>SHARP</h1> ELECTRONIC COMPONENTS GROUP SHARP CORPORATION <b>SPECIFICATION</b>	SPEC. No. ED-94040E
APPROVED BY: <i>J. Yoshikawa</i>	DATE: <i>March 9 1998</i>		ISSUE March 5, 1998
			PAGE 14 Pages
			REPRESENTATIVE DIVISION OPTO-ELECTRONIC DEVICES DIV.

DEVICE SPECIFICATION FOR <b>PHOTOCOUPLER</b> MODEL No. <b>PC123</b>	Business dealing name <table border="1"> <tr><td>PC123</td><td>PC123Y</td></tr> <tr><td>PC123A</td><td>PC123Y1</td></tr> <tr><td>PC123B</td><td>PC123Y2</td></tr> <tr><td>PC123C</td><td>PC123Y5</td></tr> <tr><td>PC123S</td><td>PC123YS</td></tr> </table>	PC123	PC123Y	PC123A	PC123Y1	PC123B	PC123Y2	PC123C	PC123Y5	PC123S	PC123YS
PC123	PC123Y										
PC123A	PC123Y1										
PC123B	PC123Y2										
PC123C	PC123Y5										
PC123S	PC123YS										

- These specification sheets include materials protected under copyright of Sharp Corporation ("Sharp"). Please do not reproduce or cause anyone to reproduce them without Sharp's consent.
- When using this product, please observe the absolute maximum ratings and the instructions for use outlined in these specification sheets, as well as the precautions mentioned below. Sharp assumes no responsibility for any damage resulting from use of the product which does not comply with the absolute maximum ratings and the instructions included in these specification sheets, and the precautions mentioned below.
 

(Precautions)

  - This product is designed for use in the following application areas :
 

<ul style="list-style-type: none"> <li>• OA equipment</li> <li>• Telecommunication equipment (Terminal)</li> <li>• Tooling machines</li> </ul>	<ul style="list-style-type: none"> <li>• Audio visual equipment</li> <li>• Measuring equipment</li> <li>• Computers</li> </ul>	<ul style="list-style-type: none"> <li>• Home appliances</li> </ul>
--	--	---

If the use of the product in the above application areas is for equipment listed in paragraphs (2) or (3), please be sure to observe the precautions given in those respective paragraphs.
  - Appropriate measures, such as fail-safe design and redundant design considering the safety design of the overall system and equipment, should be taken to ensure reliability and safety when this product is used for equipment which demands high reliability and safety in function and precision, such as :
 

<ul style="list-style-type: none"> <li>• Transportation control and safety equipment (aircraft, train, automobile etc.)</li> <li>• Other safety equipment</li> </ul>	<ul style="list-style-type: none"> <li>• Traffic signals</li> <li>• Gas leakage sensor breakers</li> </ul>	<ul style="list-style-type: none"> <li>• Rescue and security equipment</li> </ul>
--	--	---
  - Please do not use this product for equipment which require extremely high reliability and safety in function and precision, such as :
 

<ul style="list-style-type: none"> <li>• Space equipment</li> <li>• Nuclear power control equipment</li> </ul>	<ul style="list-style-type: none"> <li>• Telecommunication equipment (for trunk lines)</li> <li>• Medical equipment</li> </ul>
--	--
  - Please contact and consult with a Sharp sales representative if there are any questions regarding interpretation of the above three paragraphs.
- Please contact and consult with a Sharp sales representative for any questions about this product.

CUSTOMER'S APPROVAL

DATE \_\_\_\_\_

BY \_\_\_\_\_

DATE PRESENTED BY *J. M.*

T. Matsumura,  
 Department General Manager of  
 Engineering Dept.,II  
 Opto-Electronic Devices Div.  
 ELECOM Group  
 SHARP CORPORATION

## 1. Application

This specification applies to the outline and characteristics of photocoupler Model No. PC123.

## 2. Outline

Refer to the attached drawing No. CY7251K02.

## 3. Ratings and characteristics

Refer to the attached sheet, page 4 to 6.

## 4. Reliability

Refer to the attached sheet, page 7.

## 5. Incoming inspection

Refer to the attached sheet, page 8.

## 6. Supplement

6.1 Isolation voltage shall be measured in the following method.

- (1) Short between anode to cathode on the primary side and between collector to emitter on the secondary side.
- (2) The dielectric withstand tester with zero-cross circuit shall be used.
- (3) The wave form of applied voltage shall be a sine wave.  
(It is recommended that the isolation voltage be measured in insulation oil.)

6.2 Collector current ( $I_c$ ) Delivery rank table

("○" mark indicates business dealing name of ordered product)

Rank at delivery	Business dealing name	Rank at delivery	* Business dealing name	Rank mark	$I_c$ (mA)	Test conditions
	PC123		PC123Y	A, B, S or no mark	2.5 to 20	$I_F=5mA$ $V_{CE}=5V$ $T_a=25^\circ C$
	PC123A		PC123Y1	A	2.5 to 7.5	
	PC123B		PC123Y2	B	5.0 to 12.5	
	PC123C		PC123Y5	no mark	10.0 to 20.0	
	PC123S		PC123YS	S	5.0 to 10.0	

\* Applied to products as an option (Attach sheet 2-1 to 2-4)

6.3 This Model is approved by UL.


Approved Model No. : PC123

UL file No. : E64380

6.4 This Model is approved by CSA.

Approved Model No. : PC123

CSA file No. : CA95323

CSA approved mark "  " shall be indicated on mininame unit package.

6.5 This product is approved by BSI. (BS415, BS7002)

Approved Model No. : PC123

Certificate No. : 7087/7409

6.6 This product is approved by SEMKO, DEMKO, NEMKO and EI.

6.7 This product is not designed against irradiation.

This product is assembled with electrical input and output.

This product incorporates non-coherent light emitting diode.

6.8 ODS materials

This product shall not contain the following materials.

Also, the following materials shall not be used in the production process for this product.

Materials for ODS : CFC<sub>s</sub>, Halon, Carbon tetrachloride,  
1.1.1-Trichloroethane (Methylchloroform)

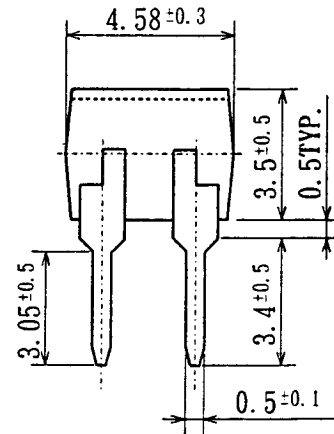
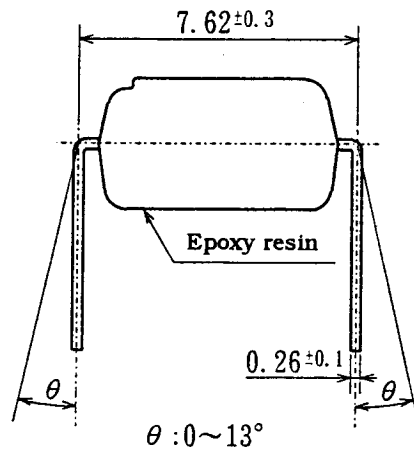
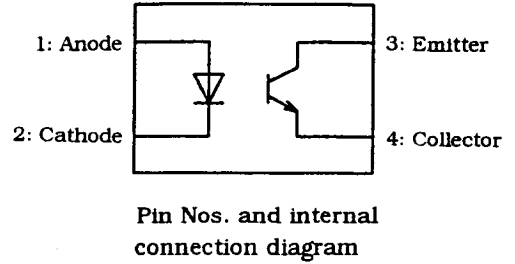
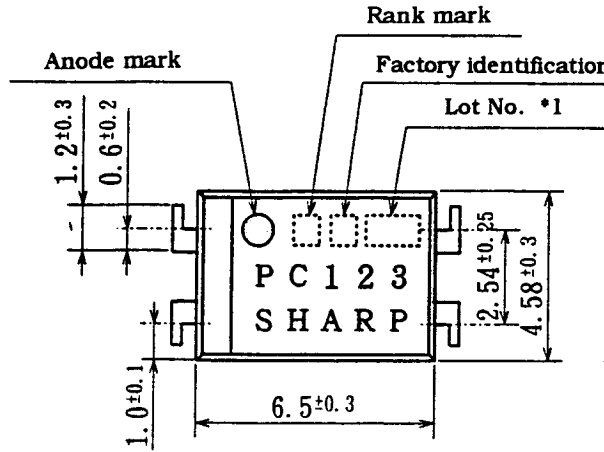
6.9 Brominated flame retardants

Specific brominated flame retardants such as the PBBO<sub>s</sub> and PBB<sub>s</sub> are not used in this device at all.

7. Notes

Refer to the attached sheet-1-1, 2.

2. Outline



Product mass : Approx. 0.18g

- \*1) 2-digit number shall be marked according to DIN standard.
- \*2) Factory identification mark shall be or shall not be marked.
- \*3) Marking is laser marking

UNIT : 1/1 mm	
Name	PC123 Outline Dimensions (Business dealing name : PC123)
Drawing No.	CY7251K02

## 3. Ratings and characteristics

## 3.1 Absolute maximum ratings

Ta=25°C

Parameter		Symbol	Rating	Unit
Input	*1 Forward current	$I_F$	50	mA
	*2 Peak forward current	$I_{FM}$	1	A
	Reverse voltage	$V_R$	6	V
	*1 Power dissipation	P	70	mW
Output	Collector-emitter voltage	$V_{CEO}$	70	V
	Emitter-collector voltage	$V_{ECO}$	6	V
	Collector current	$I_C$	50	mA
	*1 Collector power dissipation	$P_C$	150	mW
*1 Total power dissipation		$P_{tot}$	200	mW
*3 Isolation voltage		$V_{iso}$	5	kV <sub>rms</sub>
Operating temperature		$T_{opr}$	-30 to +100	°C
Storage temperature		$T_{stg}$	-55 to +125	°C
*4 Soldering temperature		$T_{sol}$	260	°C

\*1 The derating factors of absolute maximum ratings due to ambient temperature are shown in Fig. 1 to 4.

\*2 Pulse width  $\leq 100 \mu s$ , Duty ratio : 0.001 (Refer to Fig. 5)

\*3 AC for 1 min, 40 to 60%RH

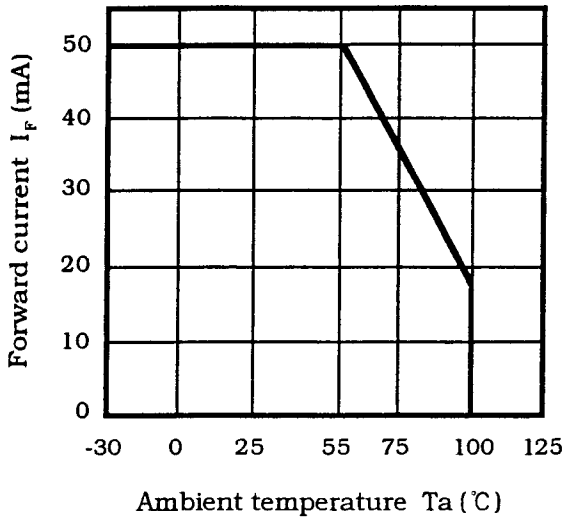
\*4 For 10 s

## 3.2 Electro-optical characteristics

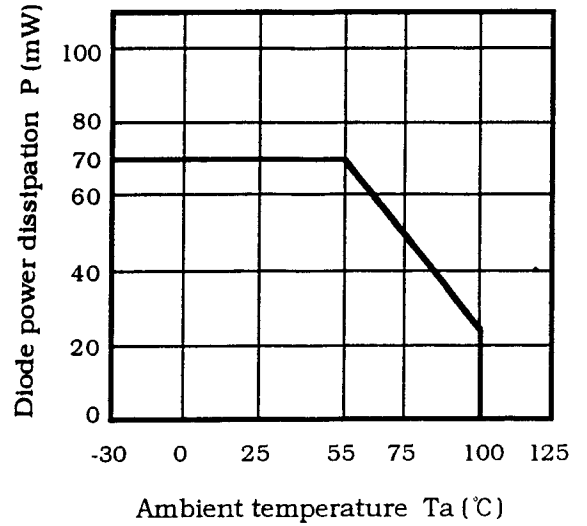
Ta=25°C

Parameter		Symbol	Condition	MIN.	TYP.	MAX.	Unit
Input	Forward voltage	$V_F$	$I_F=20\text{mA}$	-	1.2	1.4	V
	Reverse current	$I_R$	$V_R=4\text{V}$	-	-	10	$\mu\text{A}$
	Terminal capacitance	$C_t$	$V=0, f=1\text{kHz}$	-	30	250	pF
Output	Dark current	$I_{CEO}$	$V_{CE}=50\text{V}, I_F=0$	-	-	100	nA
	Collector-emitter breakdown voltage	$BV_{CEO}$	$I_c=0.1\text{mA}$ $I_F=0$	70	-	-	V
	Emitter-collector breakdown voltage	$BV_{ECO}$	$I_E=10\mu\text{A}, I_F=0$	6	-	-	V
Transfer characteristics	Collector current	$I_c$	$I_F=5\text{mA}, V_{CE}=5\text{V}$	2.5	-	20	mA
	Collector-emitter saturation voltage	$V_{CE(sat)}$	$I_F=20\text{mA}$ $I_c=1\text{mA}$	-	0.1	0.2	V
	Isolation resistance	$R_{ISO}$	DC=500V 40 to 60%RH	$5 \times 10^{10}$	$10^{11}$	-	$\Omega$
	Floating capacitance	$C_f$	$V=0, f=1\text{MHz}$	-	0.6	1.0	pF
	Cut-off frequency	$f_c$	$V_{CE}=5\text{V}, I_c=2\text{mA}$ $R_L=100\Omega, -3\text{dB}$	-	80	-	kHz
	Response time (Rise)	$t_r$	$V_{CE}=2\text{V}$ $I_c=2\text{mA}$	-	4	18	$\mu\text{s}$
	Response time (Fall)	$t_f$	$R_L=100\Omega$	-	3	18	$\mu\text{s}$

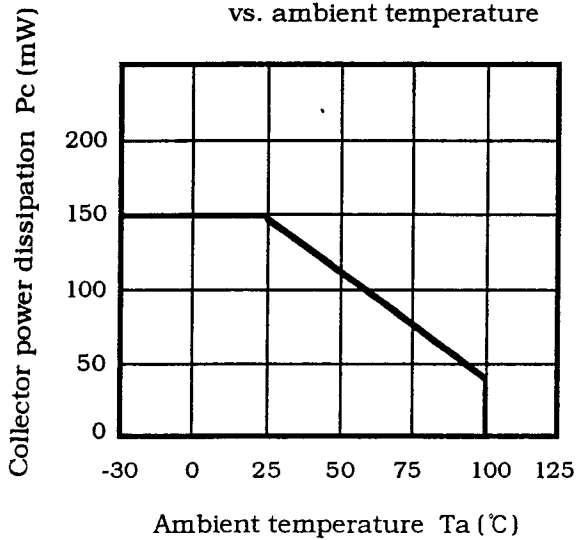
(Fig. 1) Forward current vs. ambient temperature



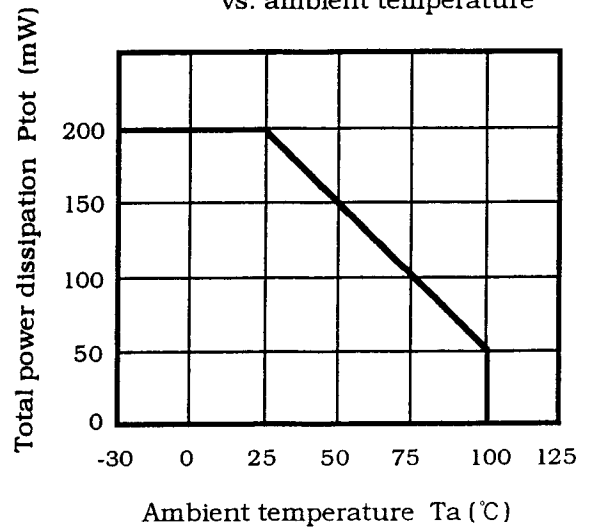
(Fig. 2) Diode power dissipation vs. ambient temperature



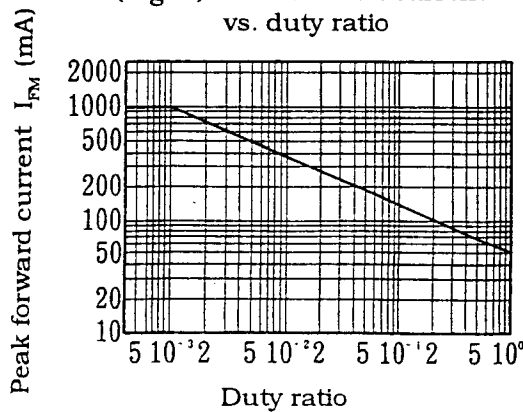
(Fig. 3) Collector power dissipation vs. ambient temperature



(Fig. 4) Total power dissipation vs. ambient temperature



(Fig. 5) Peak forward current vs. duty ratio



Pulse width  $\leq 100 \mu s$   
 $T_a = 25^\circ C$

4. Reliability

The reliability of products shall satisfy items listed below.

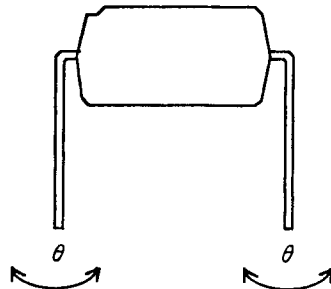
Confidence level : 90%  
LTPD : 10%/20%

Test Items	Test Conditions *1	Failure Judgement Criteria	Samples (n)
			Defective(C)
Solderability *2	230°C, 5 s	—	n=11, C=0
Soldering heat	260°C, 10 s	$V_F > U \times 1.2$ $I_R > U \times 2$ $I_{CEO} > U \times 2$ $I_C < L \times 0.7$ $V_{CE(sat)} > U \times 1.2$  U : Upper specification limit  L : Lower specification limit	n=11, C=0
Terminal strength (Tension)	Weight : 5N 5 s/each terminal		n=11, C=0
Terminal strength (Bending) *3	Weight : 2.5N 2 times/each terminal		n=11, C=0
Mechanical shock	15000m/s <sup>2</sup> , 0.5ms 3 times/ ±X, ±Y, ±Z direction		n=11, C=0
Variable frequency vibration	100 to 2000 to 100Hz/4min 200m/s <sup>2</sup> 4 times/ X, Y, Z direction		n=11, C=0
Temperature cycling	1 cycle -55°C to +125°C (30min) (30min) 20 cycles test		n=22, C=0
High temp. and high humidity storage	+60°C, 90%RH, 1000h		n=22, C=0
High temp. storage	+125°C, 1000h		n=22, C=0
Low temp. storage	-55°C, 1000h		n=22, C=0
Operation life	I <sub>F</sub> =50mA, P <sub>tot</sub> =200mW T <sub>a</sub> =25°C, 1000h		n=22, C=0

\*1 Test method, conforms to JIS C 7021.

\*2 Solder shall adhere at the area of 95% or more of immersed portion of lead, and pin hole or other holes shall not be concentrated on one portion.

\*3 Terminal bending direction is shown below.





## 5. Incoming inspection

### 5.1 Inspection items

#### (1) Electrical characteristics

$V_F$ ,  $I_R$ ,  $I_{CEO}$ ,  $V_{CE(sat)}$ ,  $I_C$ ,  $R_{ISO}$ ,  $V_{ISO}$

#### (2) Appearance

### 5.2 Sampling method and Inspection level

A single sampling plan, normal inspection level II based on ISO 2859 is applied. The AQL according to the inspection items are shown below.

Defect	Inspection item	AQL (%)
Major defect	Electrical characteristics Unreadable marking	0.1
Minor defect	Appearance defect except the above mentioned.	0.4

1 For cleaning

(1) Solvent cleaning : Solvent temperature 45°C or less  
Immersion for 3 min or less

(2) Ultrasonic cleaning : The effect to device by ultrasonic cleaning differs by cleaning bath size, ultrasonic power output, cleaning time, PCB size or device mounting condition etc. Please test it in actual using condition and confirm that doesn't occur any defect before starting the ultrasonic cleaning.

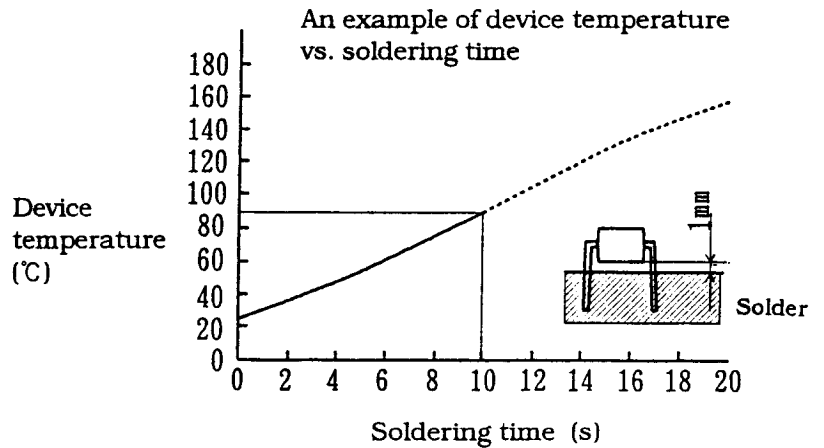
(3) Applicable solvent : Ethyl alcohol, Methyl alcohol, Isopropyl alcohol

In case when the other solvent is used, there are cases that the packaging resin is eroded. Please use the other solvent after thorough confirmation is performed in actual using condition.

2. The LED used in the Photocoupler generally decreases the light emission power by operation. In case of long operation time, please design the circuit with considering the degradation of the light emission power of the LED. (50%/5years)

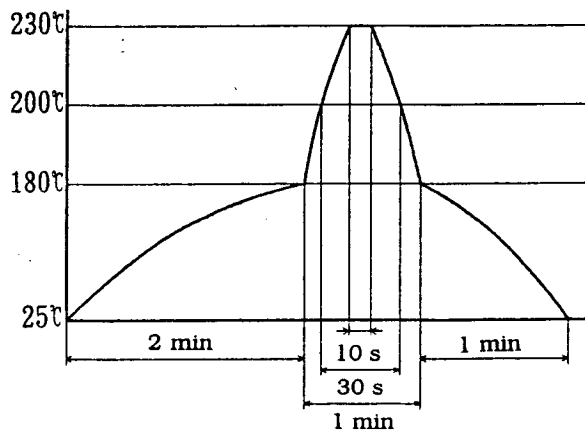
3. Precautions for Soldering Photocouplers

- (1) In case of soldering to lead  
260°C 10 s or less



- (2) If solder reflow :

It is recommended that only one soldering be done at the temperature and the time within the temperature profile as shown in the figure below.



- (3) Other precautions

An infrared lamp used to heat up for soldering may cause a localized temperature rise in the resin. So keep the package temperature within that specified in Item 2. Also avoid immersing the resin part in the solder.

1. This specification shall be applied to photocoupler, Model No. PC123 as an option.

2. Applicable Models (Business dealing name)

PC123Y, PC123Y1, PC123Y2, PC123Y5, PC123YS

3. The relevant models are the models Approved by VDE according to DIN VDE0884/08.87.

Approved Model No. : PC123

VDE approved No. : 83601

(According to the specification DIN VDE0884/08.87)

- Operating isolation voltage  $U_{IORM}$  : 710V (Peak)
- Transient overvoltage  $U_{TR}$  : 6000V (Peak)
- Pollution : 2 (According to VDE0110/01.89)
- Clearances distance (Between input and output) : 6.4mm (MIN.)
- Creepage distance (Between input and output) : 6.4mm (MIN.)
- Isolation thickness between input and output : 0.4mm (MIN.)
- Tracking-proof : CTI 175 (Material group IIIa : VDE0110/01.89)
- Safety limit values      Current (I<sub>si</sub>) : 120mA (Diode side)  
Power (P<sub>si</sub>) : 300mW (Phototransistor side)

Temperature (T<sub>si</sub>) : 150°C

In order to keep safety electric isolation of photocoupler, please set the protective circuit to keep within safety limit values when the actual application equipment troubled.

- Indication of VDE approval prints "△0884" on sleeve package.

4. Outline

Refer to the attached drawing No. CY7252K02.

## 5. Isolation specification according to VDE 0884

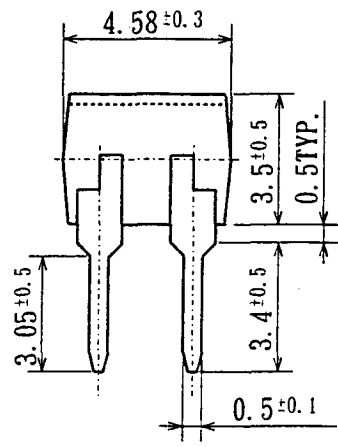
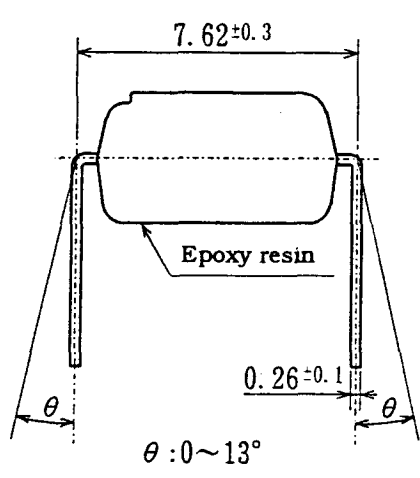
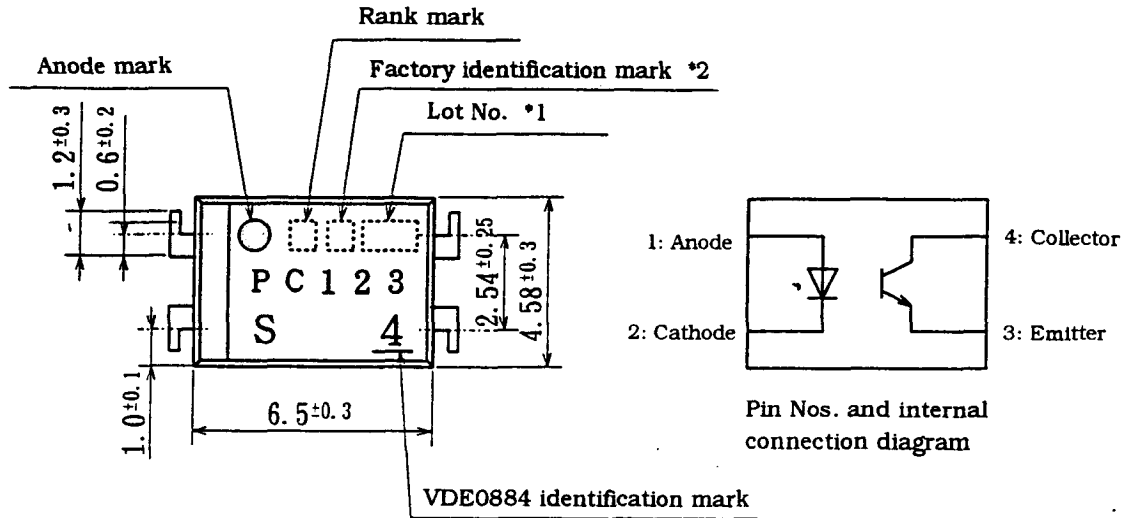
Parameter	Symbol	Conditions	Rating	Unit	Remark	
Class of environmental test	-	DIN IEC68	30/100/21	-		
Pollution	-	DIN VDE0110	2	-		
Maximum operating isolation voltage	$U_{IORM}$	-	710	$V_{PEAK}$		
Partial discharge test voltage (Between input and output)					Refer to the Diagram 1, 2	
	Diagram 1	$U_{pr}$	$t_p=60\text{ s}, q_c<5\text{pC}$	852		$V_{PEAK}$
	Diagram 2		$t_p=1\text{ s}, q_c<5\text{pC}$	1136		$V_{PEAK}$
Maximum over-voltage	$U_{INITIAL}$	$t_{INI}=10\text{ s}$	6000	$V_{PEAK}$		
Safety maximum ratings					Refer to the Fig. 6, 7	
1) Case temperature	$T_{si}$	$I_F=0, P_c=0$	150	$^{\circ}\text{C}$		
2) Input current	$I_{si}$	$P_c=0$	120	mA		
3) Electric power (Output or Total power dissipation)	$P_{si}$	-	300	mW		
Isolation resistance (Test voltage between input and output ; DC500V)	$R_{ISO}$	$T_a=T_{si}$	MIN. $10^9$	$\Omega$		
		$T_a=T_{opr}(\text{MAX.})$	MIN. $10^{11}$			
		$T_a=25^{\circ}\text{C}$	MIN. $10^{12}$			

## 6. Precautions in performing isolation test

6.1 Partial discharge test methods shall be the ones according to the specifications of VDE 0884/08.87

6.2 Please don't carry out isolation test (Viso) over  $U_{INITIAL}$ . This product deteriorates isolation characteristics by partial discharge due to applying high voltage (ex.  $U_{INITIAL}$ ). And there is possibility that this product occurs partial discharge in operating isolation voltage. ( $U_{IORM}$ ).

4. Outline

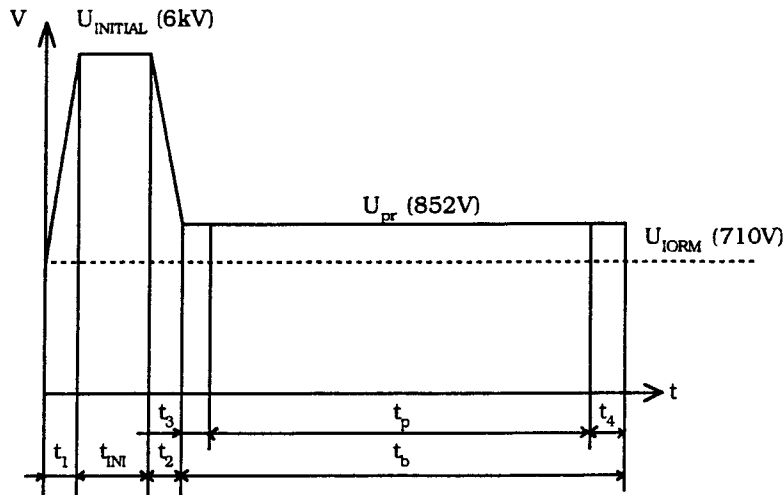


Product mass : Approx. 0.18g

- \*1) 2-digit number shall be marked according to DIN standard.
- \*2) Factory identification mark shall be or shall not be marked.
- \*3) Marking is laser marking

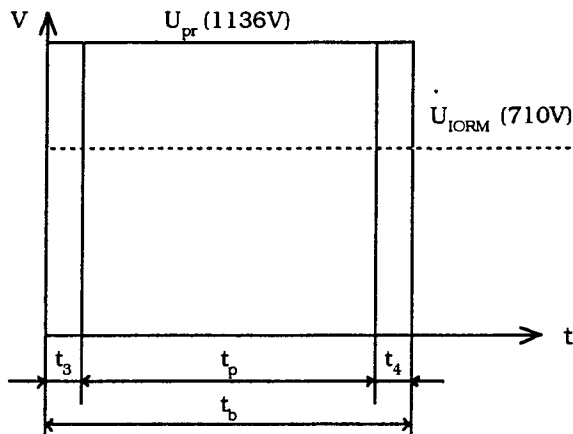
UNIT : 1/1 mm	
Name	PC123 Outline Dimensions (Business dealing name : PC123Y)
Drawing No.	CY7252K02

Method of Diagram 1 : Breakdown test (Apply to type test and sampling test)



$t_1, t_2$	=1 to 10 s
$t_3, t_4$	=1 s
$t_p$ (Partial discharge measuring time)	=60 s
$t_b$	=62 s
$t_{INI}$	=10 s

Method of Diagram 2 : Non breakdown test (Apply to all device test)



$t_3, t_4$	=0.1 s
$t_p$ (Partial discharge measuring time)	=1 s
$t_b$	=1.2 s

Fig. 6 Safety maximum power dissipation vs. ambient temperature (When failed)

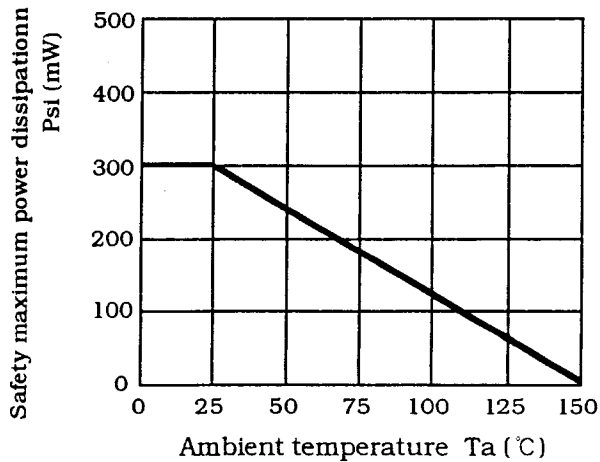


Fig. 7 Safety maximum forward current vs. ambient temperature (When failed)

