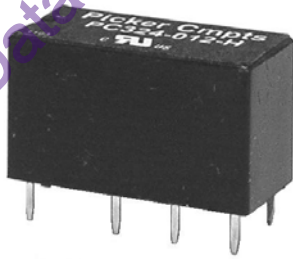


Subminiature PCB Telecom Relay With Bifurcated Contacts **PC324**



**FEATURES**

- Subminiature design
- DIL Package for PC board or socket
- Contact capacity from 1 mA to 2 A
- Meets FCC part 68 voltage surge
- Class "B" insulation standard
- Sealed immersion cleanable
- Bifurcated crossbar contacts

**UL** US File # E86876

**CONTACT RATINGS**

Contact Form	<b>2 Form C</b> DPDT (crossbar contacts)
Switching Current Range	1 mA to 2 A
Switching Voltage Range	10 mVAC - 250VAC; 10 mVDC - 220 VDC
Max. Continuous Current	2 Amps
Switching Power Range	10 micro W to 30 W / 62.5 VA
UL Rated Loads	1A / 24 VDC 0.5A / 125 VAC

**CONTACT DATA**

<b>Material</b>	AgNi + Au (Silver Nickle + Gold Clad) AgPd + Au (Silver Palladium + Gold Clad)
<b>Initial Contact Resistance</b>	50 mOhm max @ 1mA, 20mV, 1KHz, meets DIN 4160 part 4
<b>Service Life</b>	<b>Mechanical</b> 1 X 10 <sup>5</sup> Operations
	<b>Electrical</b> 1 X 10 <sup>8</sup> Operations

**COIL DATA**

Type	Coil Voltage	Resistance Ohms ± 10%	Must Operate Voltage Max. (VDC)	Allowable Operating Voltage Range	Hold Voltage	Must Release Voltage
<b>Coil Code A</b> 0.56 W TO 0.59 W	3	16	2.1	2.1 - 7.0	1.0	0.3
	5	45	3.5	3.5 - 7.8	1.25	0.5
	6	66	4.2	4.2 - 9.7	1.5	0.6
	9	140	6.3	6.3 - 14.5	2.25	0.9
	12	280	8.4	8.4 - 19.4	3	1.2
	24	1070	16.8	16.8 - 37.6	6	2.4
<b>Coil Code B</b> 0.40 W	48	3900	33.6	33.6 - 74.2	12	4.8
	3	22.5	2.1	2.1 - 7.0	1.0	0.3
	5	62.5	3.5	3.5 - 7.8	1.25	0.5
	6	90	4.2	4.2 - 9.7	1.5	0.6
	9	203	6.3	6.3 - 14.5	2.25	0.9
	12	360	8.4	8.4 - 19.4	3	1.2
	24	1440	16.8	16.8 - 37.6	6	2.4
	48	5760	33.6	33.6 - 74.2	12	4.8

Note: Custom coil voltages within the ranges shown are available on special order.

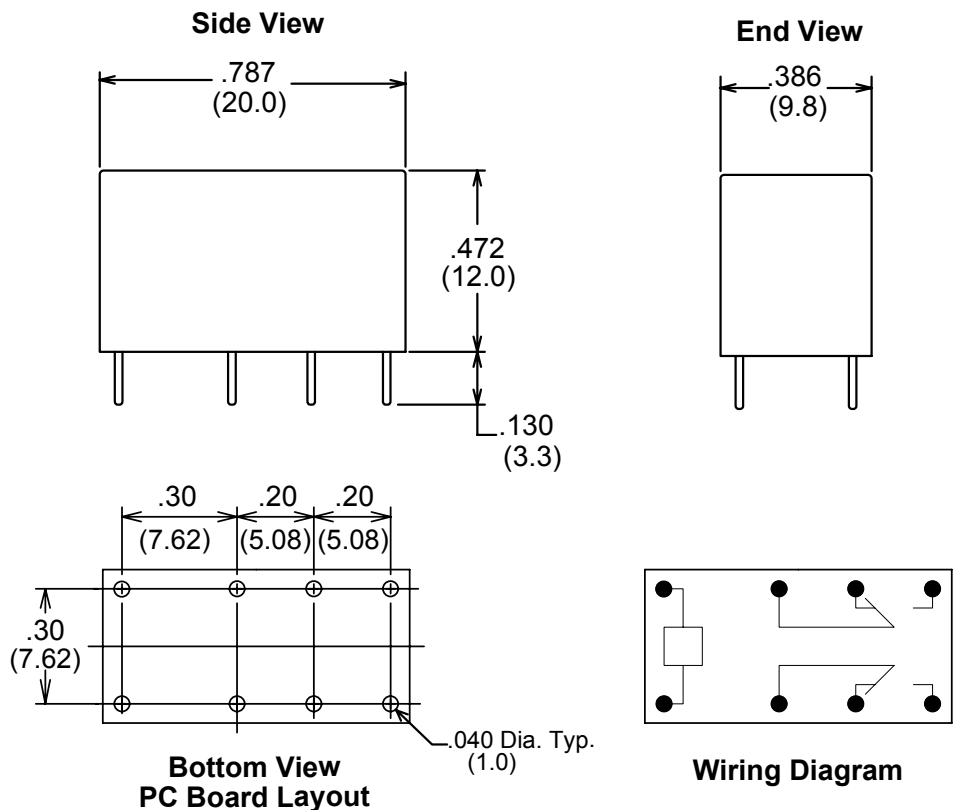
**ORDERING INFORMATION**

Example:	PC324	-12	P	A
Model				
Coil Voltage				
Contact Material				
Nil: AgNi + Au; P: AgPd + Au				
Sensitivity				
A: 0.56 W; B: 0.40 W				

**CHARACTERISTICS**

<b>Operate Time</b>	5 ms. max.
<b>Operate Bounce</b>	1 ms. typical
<b>Release Time</b>	3 ms. max.
<b>Release Bounce</b>	2.5 ms. typical
<b>Insulation Resistance</b>	1000 Megohms min. at 500 VDC, 50% RH
<b>Dielectric Strength</b>	1000 V rms, 1 min. between coil and contacts and between adjacent parts 1000 V rms, 1 min. between open contacts
<b>Surge Strength</b>	1500 V, between coil and contacts (FCC Part 68)
<b>Capacitance</b>	0.7 pf max. between contacts; 0.9 pf max. between adjacent poles; 1.0 pf max. between coil and contacts
<b>Shock Resistance</b>	50 g, 11 ms.
<b>Vibration Resistance</b>	10 g, 10 - 70 Hz
<b>Allowable Max. Power Consumption at 20 C</b>	1.02 W
<b>Ambient Temperature</b>	-40 degrees C to 65 degrees C (-40 degrees C to 70 degreeec C for 0.4 w coil)
<b>Power Consumption</b>	0.40 W to .59 W
<b>Weight</b>	4.5 grams approx.

**Dimensions in Inches (millimeters)  
Drawings are 2X actual size**



Notes:

Tolerances ± .010 unless otherwise noted



3220 Commander Drive, Suite 102, Carrollton, Texas 75006

Sales: Call Toll Free (888) 997-3933 Fax (818) 342-5296 email: pickerwest@sbcglobal.net URL: pickercomponents.com