

Product Preview

Quad High-Side and Octal Low-Side Switch for Automotive

The 33888 is a single-package combination of a power die with four discrete high-side MOSFETs (two 10 mΩ and two 40 mΩ) and an integrated IC control die consisting of eight low-side drivers (600 mΩ each) with appropriate control, protection, and diagnostic features.

Programming, control, and diagnostics are accomplished using a 16-bit SPI interface. Additionally, each high-side output has its own parallel input for pulse-width modulation (PWM) control if desired. The low sides share a single configurable direct input.

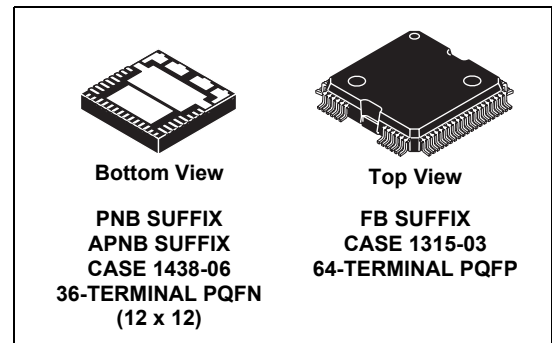
The 33888 is available in two power packages.

Features

- Dual 10 mΩ High Side, Dual 40 mΩ High Side, Octal 600 mΩ Low Side
- Full Operating Voltage of 6.0 V to 27 V
- SPI Control of High-Side Overcurrent Limit, High Side Current Sense, Output OFF Open Load Detection, Output ON/OFF Control, Watchdog Timeout
- SPI Reporting of Program Status and Fault
- High-Side Analog Current Feedback with Selectable Ratio
- Enhanced 16 V Reverse Polarity V_{PWR} Protection

33888
33888A

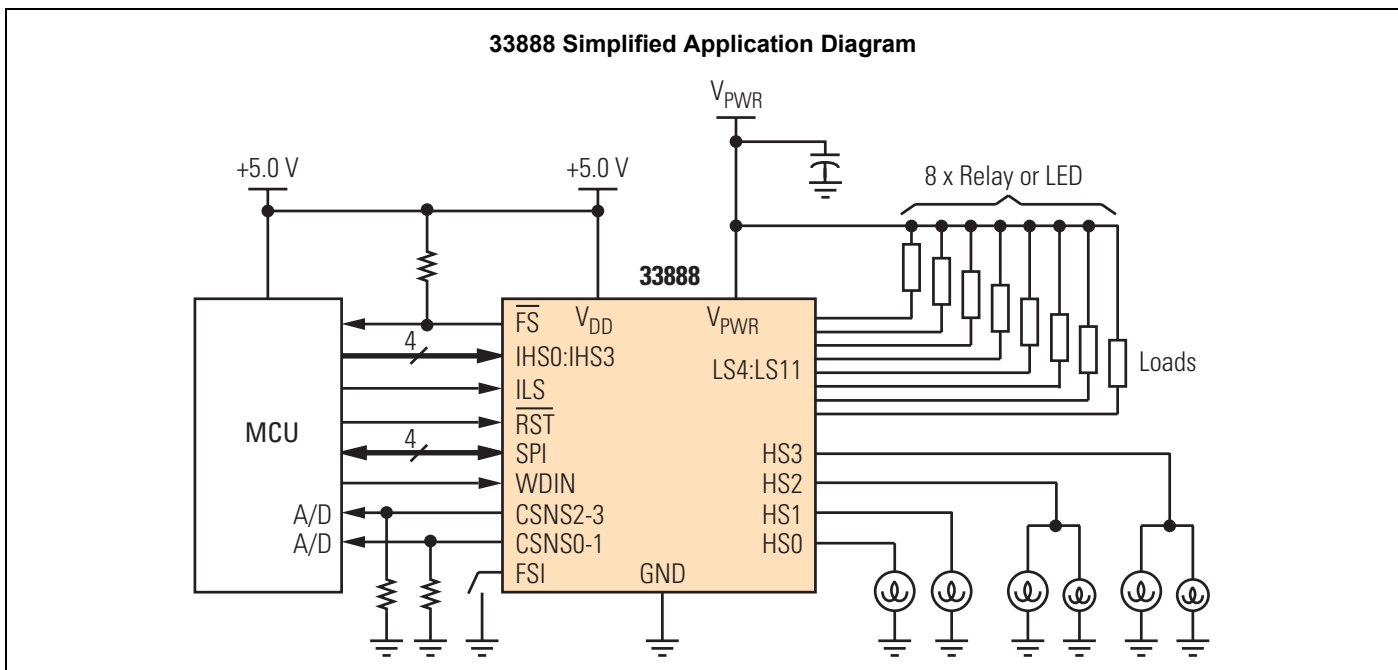
SOLID STATE RELAY FOR AUTOMOTIVE APPLICATIONS



ORDERING INFORMATION

Device	Temperature Range (T _A)	Package
PC33888PNB/R2	-40°C to 125°C	36 PQFN
PC33888APNB/R2		
MC33888FB/R2		64 PQFP

Freescale Semiconductor, Inc.



This document contains certain information on a new product. Specifications and information herein are subject to change without notice.

Table 1. Features Comparison: 33888 and 33888A

Parameter	Symbol	Condition	33888	33888A	For details, see page
Undervoltage Low-Side Output Shutdown	V_{PWRUV}	–	5.0 V	3.0 V	11
Low-Side Drain-to-Source ON Resistance	$R_{DS(ON)}$	$V_{PWR} = 4.5 \text{ V};$ $V_{DD} = 3.5 \text{ V}$	Not specified	8.0Ω	14
Recommended Frequency of SPI Operation	f_{SPI}	Extended Mode, $V_{DD} = 3.4 \text{ V}$	Not specified	2.1 MHz (max)	17

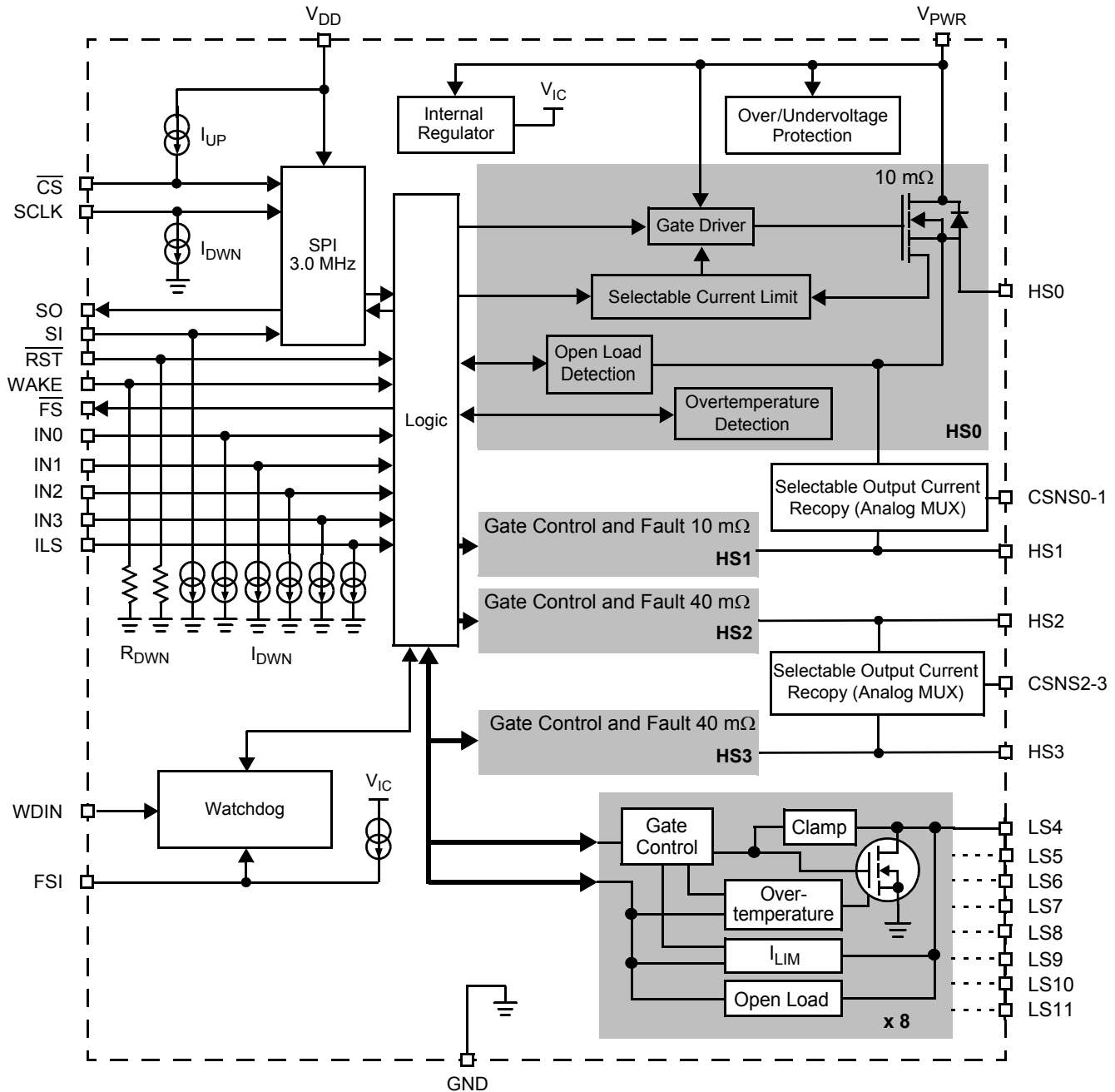
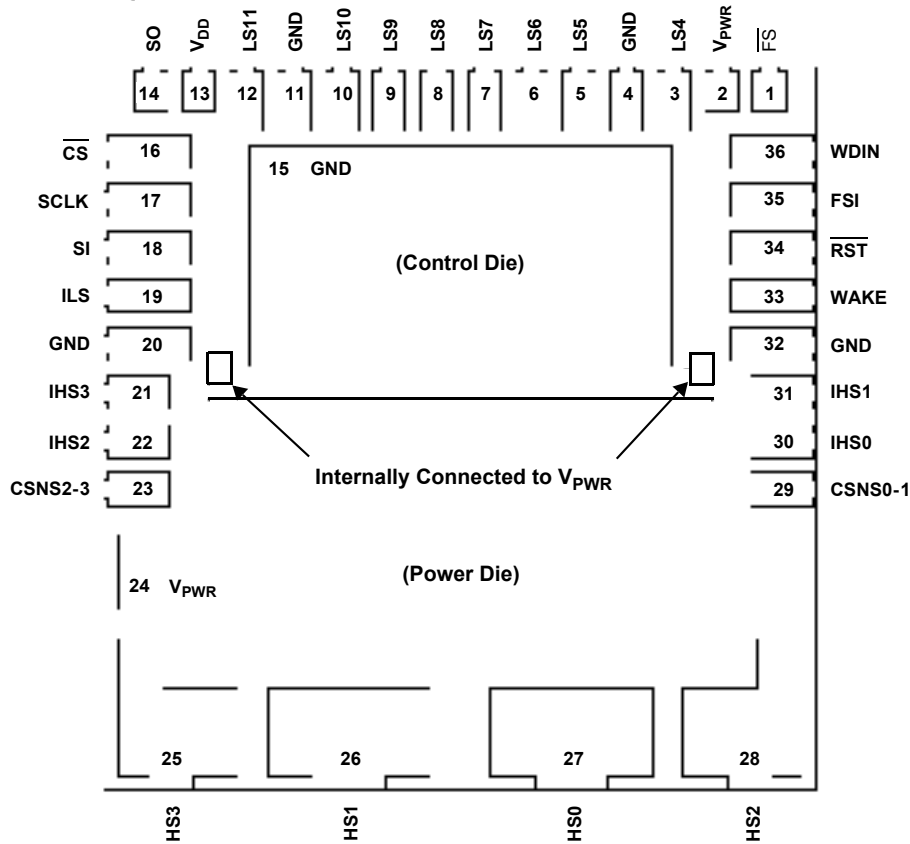


Figure 1. 33888 Simplified Internal Block Diagram

Transparent Top View of Package



TERMINAL DEFINITIONS FOR PQFN

Functional descriptions of many of these terminals can be found in the System/Application Information section beginning on [page 19](#).

Terminal	Terminal Name	Formal Name	Definition
1	\overline{FS}	Fault Status (Active Low)	This output terminal is an open drain indication that goes active low when a fault mode is detected by the device. Specific device fault indication is given via the SO terminal.
2, 24	V_{PWR}	Positive Power Supply	These terminal connects to the positive power supply and are the source input of operational power for the device.
3, 6, 8, 10	LS4, LS6, LS8, LS10	Low-Side Output 4, Low-Side Output 6, Low-Side Output 8, Low-Side Output 10	Each low-side terminal is one 0.6Ω low-side output MOSFET drain, which pulls current through the connected loads. Each of the outputs is actively clamped at 53 V. These outputs are current and thermal overload protected. Maximum steady state current through each of these outputs is 500 mA.
4, 11, 15, 20, 32	GND	Ground	These terminals serve as the ground for the source of the low-side output transistors as well as the logic portion of the device.
5, 7, 9, 12	LS5, LS7, LS9, LS11	Low-Side Output 5, Low-Side Output 7, Low-Side Output 9, Low-Side Output 11	Each low-side terminal is one 0.6Ω low-side output MOSFET drain, which pulls current through the connected loads. Each of the outputs is actively clamped at 53 V. These outputs are current and thermal overload protected. Maximum steady state current through each of these outputs is 800 mA.
13	V_{DD}	Digital Drain Voltage (Power)	This is an external input terminal used to supply power to the SPI circuit.

Freescale Semiconductor, Inc.

TERMINAL DEFINITIONS FOR PQFN (continued)

Functional descriptions of many of these terminals can be found in the System/Application Information section beginning on [page 19](#).

Terminal	Terminal Name	Formal Name	Definition
14	SO	Serial Output	This is an output terminal connected to the SPI Serial Data Input terminal of the MCU or to the SI terminal of the next device in a daisy chain. This output will remain tri-stated unless the device is selected by a low \overline{CS} terminal. The output signal generated will have CMOS logic levels and the output data will transition on the rising edges of SCLK. The serial output data provides fault information for each output and is returned MSB first when the device is addressed. OD11 through OD0 are output fault bits for outputs 11 through 0, respectively.
16	\overline{CS}	Chip Select (Active Low)	This is an input terminal connected to a chip select output of a microcontroller (MCU). This IC controls which device is addressed (selected) by pulling the \overline{CS} terminal of the desired device logic Low, enabling the SPI communication with the device, while other devices on the serial link keep their serial outputs tri-stated. This input has an internal active pullup and requires CMOS logic levels.
17	SCLK	Serial Clock	This input terminal is connected to the SCLK terminal of the master MCU, which is a bit (shift) clock for the SPI port. It transitions one time per bit transferred at an operating frequency, f_{SPI} , and is idle between command transfers. It is 50% duty cycle and has CMOS logic levels. This signal is used to shift data to and from the 33888.
18	SI	Serial Input	This input terminal is connected to the SPI Serial Data Output terminal of the MCU from which it receives output command data. This input has an internal active pull-down and requires CMOS logic levels. The serial data transmitted on this line is a 16-bit control command sent MSB first, which controls the twelve output channels. Bits D3:D0 control the high-side outputs HS3:HS0, respectively. Bits D11:D4 control the low-side outputs LS11:LS4, respectively. The MUC will ensure that data is available on the falling edge of SCLK.
19	ILS	Low-Side Input	This input terminal is used to directly control a number of the low-side devices as configured by SPI. This terminal may or may not be activated depending on the configured state of the internal logic.
21 22 30 31	IHS3 IHS2 IHS0 IHS1	High-Side Input 3 High-Side Input 2 High-Side Input 0 High-Side Input 1	Each high-side input terminal is used to directly control only one designated high-side output. These inputs may or may not be activated depending on the configured state of the internal logic.
23 29	CSNS2-3 CSNS0-1	Current Sense 2-3 Current Sense 0-1	These terminals deliver a ratioed amount of the high-side output current that can be used to generate signal ground referenced output voltages for use by the MCU. Each respective CSNS terminal can be configured via SPI to deliver current from either of the two assigned outputs, or the currents could be the sum of the two. Current from HS0 and/or HS1 are sensed via CSNS0-1. Current from HS2 and/or HS3 are sensed via CSNS2-3.
25 28	HS3 HS2	High-Side Output 3 High-Side Output 2	Each terminal is the source of a 40 m Ω MOSFET high-side driver, which delivers current through the connected loads. These outputs can be controlled via SPI or using the IHS terminals depending on the internal configuration. These outputs are current limited and thermally protected. During fail-safe mode, output HS2 will be turned on until the device is reinitialized and then immediately followed by normal operation.
26 27	HS1 HS0	High-Side Output 1 High-Side Output 0	Each terminal is the source of a 10 m Ω MOSFET high-side driver, which delivers current through the connected loads. These outputs can be controlled via SPI or using the IHS terminals depending on the internal configuration. These outputs are current limited and thermally protected. During fail-safe mode, output HS0 will be turned on until the device is reinitialized and then immediately followed by normal operation.
33	WAKE	Wake	This terminal is used to input a logic [1] signal in order to enable the watchdog timer function. An internal clamp protects the terminal from high voltages when current is limited with an external resistor. This input has a passive internal pulldown.

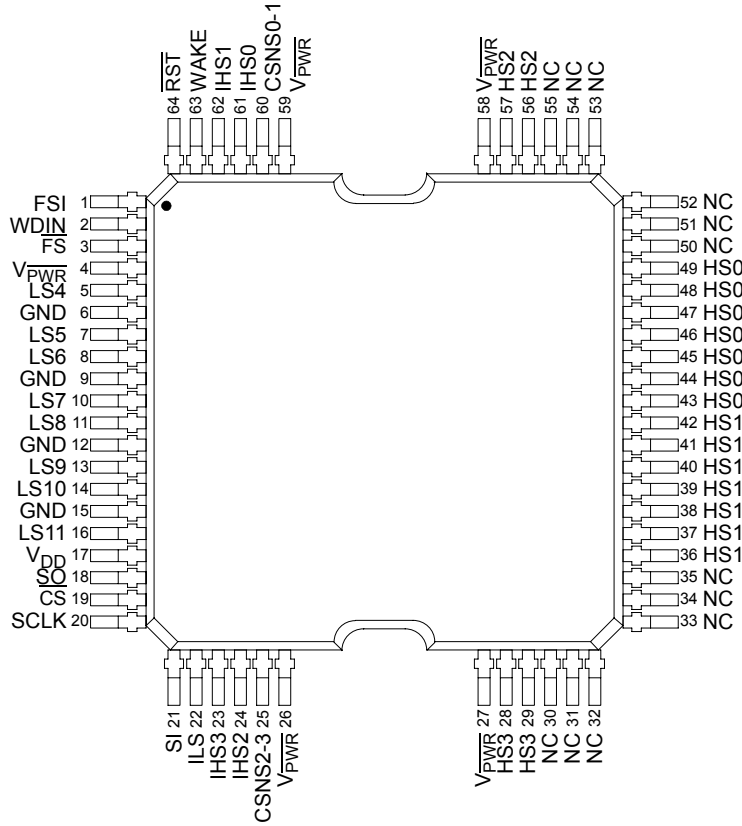
Freescale Semiconductor, Inc.

Freescale Semiconductor, Inc.

TERMINAL DEFINITIONS FOR PQFN (continued)

Functional descriptions of many of these terminals can be found in the System/Application Information section beginning on [page 19](#).

Terminal	Terminal Name	Formal Name	Definition
34	$\overline{\text{RST}}$	Reset (Active Low)	This input terminal is used to initialize the device configuration and fault registers, as well as place the device in a low current standby mode. This terminal also starts the watchdog timeout when transitioned from logic [0] to logic [1]. This terminal should not be allowed to be at logic [1] until V_{DD} is in regulation. This input has an internal passive pulldown.
35	FSI	Fail-Safe Input	The Fail-Safe input terminal level determines the state of the outputs after a watchdog timeout occurs. This terminal has an internal pullup. If the FSI terminal is left to float to a logic [1], then HS0 and HS2 will turn on when in the Fail-Safe state. If the FSI terminal is tied to GND, the watchdog circuit and fail-safe operation will be disabled, thus allowing operation without a watchdog signal.
36	WDIN	Watchdog Input	This input terminal is a CMOS logic level input that is used to monitor system operation. If the incoming watchdog signal does not transition within the normal watchdog timeout range, the device will operate in the Fail-Safe mode. This input has an active internal pulldown.



TERMINAL DEFINITIONS FOR PQFP

Functional descriptions of many of these terminals can be found in the System/Application Information section beginning on [page 19](#).

Terminal	Terminal Name	Formal Name	Definition
1	FSI	Fail-Safe Input	The Fail-Safe input terminal level determines the state of the outputs after a watchdog timeout occurs. This terminal has an internal pullup. If the FSI terminal is left to float to a logic [1], then HS0 and HS2 will turn on when in the Fail-Safe state. If the FSI terminal is tied to GND, the watchdog circuit and fail-safe operation will be disabled, thus allowing operation without a watchdog signal.
2	WDIN	Watchdog Input	This input terminal is a CMOS logic level input that is used to monitor system operation. If the incoming watchdog signal does not transition within the normal watchdog timeout range, the device will operate in the Fail-Safe mode. This input has an active internal pulldown.
3	FS	Fault Status (Active Low)	This output terminal is an open drain indication that goes active low when a fault mode is detected by the device. Specific device fault indication is given via the SO terminal.
4, 26, 27, 58, 59	V _{PWR}	Positive Power Supply	These terminal connects to the positive power supply and are the source input of operational power for the device.
5, 8, 11, 14	LS4, LS6, LS8, LS10	Low-Side Output 4, Low-Side Output 6, Low-Side Output 8, Low-Side Output 10	Each low-side terminal is one 0.6 Ω low-side output MOSFET drain, which pulls current through the connected loads. Each of the outputs is actively clamped at 53 V. These outputs are current and thermal overload protected. Maximum steady state current through each of these outputs is 500 mA.
6, 9, 12, 15	GND	Ground	These terminals serve as the ground for the source of the low-side output transistors as well as the logic portion of the device.

Freescale Semiconductor, Inc.

TERMINAL DEFINITIONS FOR PQFP (continued)

Functional descriptions of many of these terminals can be found in the System/Application Information section beginning on [page 19](#).

Terminal	Terminal Name	Formal Name	Definition
7 10 13 16	LS5 LS7 LS9 LS11	Low-Side Output 5 Low-Side Output 7 Low-Side Output 9 Low-Side Output 11	Each low-side terminal is one 0.6 Ω low-side output MOSFET drain, which pulls current through the connected loads. Each of the outputs is actively clamped at 53 V. These outputs are current and thermal overload protected. Maximum steady state current through each of these outputs is 800 mA.
17	V _{DD}	Digital Drain Voltage (Power)	This is an external input terminal used to supply power to the SPI circuit.
18	SO	Serial Output	This is an output terminal connected to the SPI Serial Data Input terminal of the MCU or to the SI terminal of the next device in a daisy chain. This output will remain tri-stated unless the device is selected by a low \overline{CS} terminal. The output signal generated will have CMOS logic levels and the output data will transition on the rising edges of SCLK. The serial output data provides fault information for each output and is returned MSB first when the device is addressed. OD11 through OD0 are output fault bits for outputs 11 through 0, respectively.
19	\overline{CS}	Chip Select (Active Low)	This is an input terminal connected to a chip select output of a microcontroller (MCU). This IC controls which device is addressed (selected) by pulling the \overline{CS} terminal of the desired device logic Low, enabling the SPI communication with the device, while other devices on the serial link keep their serial outputs tri-stated. This input has an internal active pullup and requires CMOS logic levels.
20	SCLK	Serial Clock	This input terminal is connected to the SCLK terminal of the master MCU, which is a bit (shift) clock for the SPI port. It transitions one time per bit transferred at an operating frequency, f_{SPI} , and is idle between command transfers. It is 50% duty cycle and has CMOS logic levels. This signal is used to shift data to and from the 33888.
21	SI	Serial Input	This input terminal is connected to the SPI Serial Data Output terminal of the MCU from which it receives output command data. This input has an internal active pull-down and requires CMOS logic levels. The serial data transmitted on this line is a 16-bit control command sent MSB first, which controls the twelve output channels. Bits D3:D0 control the high-side outputs HS3:HS0, respectively. Bits D11:D4 control the low-side outputs LS11:LS4, respectively. The MUC will ensure that data is available on the falling edge of SCLK.
22	ILS	Low-Side Input	This input terminal is used to directly control a number of the low-side devices as configured by SPI. This terminal may or may not be activated depending on the configured state of the internal logic.
23 24 61 62	IHS3 IHS2 IHS0 IHS1	High-Side Input 3 High-Side Input 2 High-Side Input 0 High-Side Input 1	Each high-side input terminal is used to directly control only one designated high-side output. These inputs may or may not be activated depending on the configured state of the internal logic.
25 60	CSNS2-3 CSNS0-1	Current Sense 2-3 Current Sense 0-1	These terminals deliver a ratioed amount of the high-side output current that can be used to generate signal ground referenced output voltages for use by the MCU. Each respective CSNS terminal can be configured via SPI to deliver current from either of the two assigned outputs, or the currents could be the sum of the two. Current from HS0 and/or HS1 are sensed via CSNS0-1. Current from HS2 and/or HS3 are sensed via CSNS2-3.
28, 29 56, 57	HS3 HS2	High-Side Output 3 High-Side Output 2	Each terminal is the source of a 40 m Ω MOSFET high-side driver, which delivers current through the connected loads. These outputs can be controlled via SPI or using the IHS terminals depending on the internal configuration. These outputs are current limited and thermally protected. During fail-safe mode, output HS2 will be turned on until the device is reinitialized and then immediately followed by normal operation.
30-35, 50-55	NC	Not Connected	These terminals are not connected internally.

Freescale Semiconductor, Inc.

Freescale Semiconductor, Inc.

TERMINAL DEFINITIONS FOR PQFP (continued)

Functional descriptions of many of these terminals can be found in the System/Application Information section beginning on [page 19](#).

Terminal	Terminal Name	Formal Name	Definition
36–42 43–49	HS1 HS0	High-Side Output 1 High-Side Output 0	Each terminal is the source of a 10 mΩ MOSFET high-side driver, which delivers current through the connected loads. These outputs can be controlled via SPI or using the IHS terminals depending on the internal configuration. These outputs are current limited and thermally protected. During fail-safe mode, output HS0 will be turned on until the device is reinitialized and then immediately followed by normal operation.
63	WAKE	Wake	This terminal is used to input a logic [1] signal in order to enable the watchdog timer function. An internal clamp protects the terminal from high voltages when current is limited with an external resistor. This input has a passive internal pulldown.
64	$\overline{\text{RST}}$	Reset (Active Low)	This input terminal is used to initialize the device configuration and fault registers, as well as place the device in a low current standby mode. This terminal also starts the watchdog timeout when transitioned from logic [0] to logic [1]. This terminal should not be allowed to be at logic [1] until V_{DD} is in regulation. This input has an internal passive pulldown.

Freescale Semiconductor, Inc.

MAXIMUM RATINGS

All voltages are with respect to ground unless otherwise noted.

Rating	Symbol	Value	Unit
ELECTRICAL RATINGS			
Power Supply Voltage Steady State	V_{PWR}	-16 to 41	V
Input Terminal Voltage (Note 1)	V_{IN}	-0.3 to 7.0	V
WAKE Input Terminal Clamp Current	I_{WICI}	2.5	mA
Continuous per Output Current (Note 2) Low-Sides 4, 6, 8, 10 Low-Sides 5, 7, 9, 11	I_{OUTLS}	500 800	mA
Continuous per Output Current (Note 3) High-Sides 0, 1 High-Sides 2, 3	I_{OUTHs}	10 5.0	A
Output Clamp Energy High-Sides 0, 1 (Note 4) High-Sides 2, 3 (Note 5) Low-Sides (Note 6)	E_{HS} E_{HS} E_{LS}	450 120 50	mJ
ESD Voltage Human Body Model (Note 7) Machine Model (Note 8)	V_{ESD1} V_{ESD2}	±2000 ±200	V

Notes

- Exceeding voltage limits on SCLK, SI, \overline{CS} , WDIN, \overline{RST} , IHS, FSI, or ILS terminals may cause a malfunction or permanent damage to the device.
- Continuous low-side output current rating so long as maximum junction temperature is not exceeded. Operation at 125°C ambient temperature will require calculation of maximum output current using package thermal resistance.
- Continuous high-side output current rating so long as maximum junction temperature is not exceeded. Operation at 125°C ambient temperature will require calculation of maximum output current using package thermal resistance.
- Active HS0 and HS1 clamp energy using the following conditions: single nonrepetitive pulse, $V_{PWR} = 16.0\text{ V}$, $L = 40\text{ mH}$, $T_J = 150^\circ\text{C}$.
- Active HS2 and HS3 clamp energy using the following conditions: single nonrepetitive pulse, $V_{PWR} = 16.0\text{ V}$, $L = 10\text{ mH}$, $T_J = 150^\circ\text{C}$.
- Active low-side clamp energy using the following conditions: single nonrepetitive pulse, 450 mA, $T_J = 150^\circ\text{C}$.
- ESD1 testing is performed in accordance with the Human Body Model ($C_{ZAP} = 100\text{ pF}$, $R_{ZAP} = 1500\ \Omega$).
- ESD2 testing is performed in accordance with the Machine Model ($C_{ZAP} = 200\text{ pF}$, $R_{ZAP} = 0\ \Omega$).

Freescale Semiconductor, Inc.

MAXIMUM RATINGS (continued)

All voltages are with respect to ground unless otherwise noted.

Rating	Symbol	Value	Unit
THERMAL RATINGS			
Operating Temperature			°C
Ambient	T_A	-40 to 125	
Junction	T_J	-40 to 150	
Storage Temperature	T_{STG}	-55 to 150	°C
Control Die Thermal Resistance (Note 9)	$R_{\theta CJ}$		°C/W
PQFP			
One Low-Side ON		12.5	
Two Low-Side ON		9.3	
Three Low-Side ON		7.3	
Four Low Side ON		5.9	
All Low-Sides ON		3.2	
PQFN			
One Low-Side ON		8.6	
Two Low-Side ON		6.0	
Three Low-Side ON		4.6	
Four Low Side ON		3.8	
All Low-Sides ON		2.0	
Power Die Thermal Resistance (Note 9)	$R_{\theta PJ}$		°C/W
PQFP			
One High-Side 2, 3 ON		0.5	
All High-Sides ON		0.15	
PQFN			
One High-Side 2, 3 ON		0.5	
All High-Sides ON		0.1	
Thermal Resistance, Junction to Ambient, Natural Convection, Four-Layer Board (Note 9)	$R_{\theta JA}$		°C/W
PQFP		33	
PQFN		37	
Peak Terminal Reflow Temperature During Solder Mounting (Note 10)	T_{SOLDER}		°C
PQFP		225	
PQFN		240	

Notes

- Board dimensions are 8.0 cm x 8.0 cm x 1.5 mm with a 300 mm² copper area on the bottom layer.
- Terminal soldering temperature limit is 10 seconds maximum duration. Not designed for immersion soldering. Exceeding these limits may cause malfunction or permanent damage to the device.

Freescale Semiconductor, Inc.

STATIC ELECTRICAL CHARACTERISTICS

Characteristics noted under conditions $6.0\text{ V} \leq V_{\text{PWR}} \leq 27\text{ V}$, $4.5\text{ V} \leq V_{\text{DD}} \leq 5.5\text{ V}$, $-40^\circ\text{C} \leq T_{\text{J}} \leq 150^\circ\text{C}$ unless otherwise noted. Typical values noted reflect the approximate parameter mean at $T_{\text{A}} = 25^\circ\text{C}$ under nominal conditions unless otherwise noted.

Characteristic	Symbol	Min	Typ	Max	Unit
POWER INPUT					
Supply Voltage Range Fully Operational	V_{PWR}	6.0	–	27	V
V_{PWR} Supply Current $T_{\text{J}} > 125^\circ\text{C}$ $T_{\text{J}} \leq 125^\circ\text{C}$	$I_{\text{PWR(ON)}}$	– –	17 –	25 20	mA
V_{PWR} Standby Current (All Outputs OFF, Open Load Detection Disabled, WAKE = H, $\overline{\text{RST}} = \text{H}$) $T_{\text{J}} > 125^\circ\text{C}$ $T_{\text{J}} \leq 125^\circ\text{C}$	$I_{\text{PWR(SBY)}}$	– –	4.2 2.9	7.0 5.0	mA
Sleep State Supply Current ($V_{\text{PWR}} < 12.6\text{ V}$, $\overline{\text{RST}} < 0.5\text{ V}$, WAKE < 0.5 V, HS[0:3] = 0 V) (Note 11) $T_{\text{J}} = 85^\circ\text{C}$ $T_{\text{J}} = 25^\circ\text{C}$	$I_{\text{PWR(SS)}}$	– –	– 1.0	80 25	μA
Logic Supply Voltage Range	V_{DD}	4.5	5.0	5.5	V
Logic Supply Current $T_{\text{J}} > 125^\circ\text{C}$ $T_{\text{J}} \leq 125^\circ\text{C}$	$I_{\text{DD(ON)}}$	– –	4.2 2.9	7.0 5.0	mA
Logic Supply Sleep State Current	$I_{\text{DD(SS)}}$	–	–	5.0	μA
Sleep State Low-Side Output Leakage Current (per Low-Side Output, $\overline{\text{RST}} = \text{LOW}$) $T_{\text{J}} = 85^\circ\text{C}$ $T_{\text{J}} = 25^\circ\text{C}$	$I_{\text{SLK(SS)}}$	– –	– –	3.0 1.0	μA
Overvoltage Shutdown Threshold	V_{PWROV}	28.5	32	36	V
Overvoltage Shutdown Hysteresis	$V_{\text{PWROV(HYS)}}$	0.2	0.6	1.5	V
Undervoltage High-Side Output Shutdown (Note 12)	V_{PWRUV}	5.0	5.6	6.0	V
Undervoltage Low-Side Output Shutdown APNB Suffix Only (Note 12) PNB and FB Suffixes	V_{PWRUV}	3.0 5.0	4.0 5.6	4.4 6.0	V
Undervoltage High-Side Shutdown Hysteresis	$V_{\text{PWRUV(HYS)}}$	0.1	0.3	0.5	V

Notes

- This parameter is tested at 125°C with a maximum value of $10\ \mu\text{A}$.
- SPI/IO and internal logic operational. Outputs will recover in instructed state when V_{PWR} voltage level returns to normal as long as the level does not go below V_{PWRUV} .

Freescale Semiconductor, Inc.

STATIC ELECTRICAL CHARACTERISTICS (continued)

Characteristics noted under conditions $6.0\text{ V} \leq V_{PWR} \leq 27\text{ V}$, $4.5\text{ V} \leq V_{DD} \leq 5.5\text{ V}$, $-40^\circ\text{C} \leq T_J \leq 150^\circ\text{C}$ unless otherwise noted. Typical values noted reflect the approximate parameter mean at $T_A = 25^\circ\text{C}$ under nominal conditions unless otherwise noted.

Characteristic	Symbol	Min	Typ	Max	Unit
POWER INPUT (continued)					
Current Sense Ratio ($9.0\text{ V} \leq V_{PWR} \leq 16\text{ V}$, $CSNS \leq 4.5\text{ V}$) CSNS0-1/HS0, CSNS0-1/HS1	$C_{SR[0:1]}$	–	1/1400	–	–
Current Sense Ratio ($C_{SR[0:1]}$) Accuracy HS[0:1] Output Current	$C_{SR[0:1_ACC]}$				%
1.0 A		-35	–	35	
2.0 A		-19	–	19	
5.0 A		-14	–	14	
6.5 A		-12	–	12	
10 A		-12	–	12	
Current Sense Ratio ($V_{PWR} = 9.0\text{ V} - 16\text{ V}$, $CSNS < 4.5\text{ V}$) CSNS2-3/HS2, CSNS2-3/HS3	C_{SR}	–	1/880	–	–
Current Sense Ratio ($C_{SR[2:3]}$) Accuracy HS[2:3] Output Current	$C_{SR[2:3_ACC]}$				%
0.5 A		-30	–	30	
1.0 A		-19	–	19	
3.0 A		-13.5	–	13.5	
3.7 A		-12	–	12	
5.0 A		-9.0	–	9.0	
Current Sense Clamp Voltage $I_{CNS} = 15\text{ mA}$ Generated by the Device	V_{SENSE}	4.5	6.0	7.0	V

HS0 AND HS1 POWER OUTPUTS

Drain-to-Source ON Resistance ($I_{OUT} = 5.5\text{ A}$) $T_J = 25^\circ\text{C}$ $V_{PWR} = 6.0\text{ V}$ $V_{PWR} = 9.0\text{ V}$ $V_{PWR} = 13\text{ V}$ $T_J = 150^\circ\text{C}$ $V_{PWR} = 6.0\text{ V}$ $V_{PWR} = 9.0\text{ V}$ $V_{PWR} = 13\text{ V}$	$R_{DS(ON)}$				Ω
		–	–	0.02	
		–	–	0.01	
		–	–	0.01	
		–	–	0.034	
		–	–	0.017	
		–	–	0.017	
Reverse Battery Source-to-Drain ON Resistance ($I_{OUT} = -5.5\text{ A}$, $T_J = 25^\circ\text{C}$) $V_{PWR} = -12\text{ V}$	$R_{DS(ON)REV}$	–	–	0.02	Ω
Output Self-Limiting Peak Current Outputs ON, $V_{OUT} = V_{PWR} - 2.0\text{ V}$	$I_{LIM(PK)}$	33	49	66	A
Output Self-Limiting Sustain Current Outputs ON, $V_{OUT} = V_{PWR} - 2.0\text{ V}$	$I_{LIM(SUS)}$	13	25	34	A
Open Load Detection Current (Note 13)	I_{OLDC}	30	–	100	μA

Notes

13. Output OFF Open Load Detection Current is the current required to flow through the load for the purpose of detecting the existence of an open load condition when the specific output is commanded OFF.

Freescale Semiconductor, Inc.

STATIC ELECTRICAL CHARACTERISTICS (continued)

Characteristics noted under conditions $6.0\text{ V} \leq V_{PWR} \leq 27\text{ V}$, $4.5\text{ V} \leq V_{DD} \leq 5.5\text{ V}$, $-40^\circ\text{C} \leq T_J \leq 150^\circ\text{C}$ unless otherwise noted. Typical values noted reflect the approximate parameter mean at $T_A = 25^\circ\text{C}$ under nominal conditions unless otherwise noted.

Characteristic	Symbol	Min	Typ	Max	Unit
----------------	--------	-----	-----	-----	------

HS0 AND HS1 POWER OUTPUTS (continued)

Output Fault Detection Threshold (Note 14) Output Programmed OFF	$V_{OFD(THRES)}$	2.0	3.0	4.0	V
Output Negative Clamp Voltage $0.5\text{ A} \leq I_{OUT} \leq 2.0\text{ A}$, Output OFF	V_{CL}	-20	-	-	V
Overtemperature Shutdown (Outputs OFF) (Note 15)	T_{SD}	160	175	190	$^\circ\text{C}$
Overtemperature Shutdown Hysteresis (Note 15)	$T_{SD(HYS)}$	10	-	30	$^\circ\text{C}$

HS2 AND HS3 POWER OUTPUTS

Drain-to-Source ON Resistance ($I_{OUT} = 4.5\text{ A}$) $T_J = 25^\circ\text{C}$ $V_{PWR} = 6.0\text{ V}$ $V_{PWR} = 9.0\text{ V}$ $V_{PWR} = 13\text{ V}$ $T_J = 150^\circ\text{C}$ $V_{PWR} = 6.0\text{ V}$ $V_{PWR} = 9.0\text{ V}$ $V_{PWR} = 13\text{ V}$	$R_{DS(ON)}$	-	-	0.08 0.04 0.04 0.136 0.068 0.068	Ω
Reverse Battery Source-to-Drain ON Resistance ($I_{OUT} = 4.5\text{ A}$, $T_J = 25^\circ\text{C}$) $V_{PWR} = -12\text{ V}$	$R_{DS(ON)REV}$	-	-	0.08	Ω
Output Self-Limiting Peak Current Outputs ON, $V_{OUT} = V_{PWR} - 2.0\text{ V}$	$I_{LIM(PK)}$	15	23	35	A
Output Self-Limiting Sustain Current Outputs ON, $V_{OUT} = V_{PWR} - 2.0\text{ V}$	$I_{LIM(SUS)}$	6.0	10	15	A
Open Load Detection Current (Note 16)	I_{OLDC}	25	-	100	μA
Output Fault Detection Threshold (Note 17) Outputs Programmed OFF	$V_{OFD(THRES)}$	2.0	3.0	4.0	V
Output Negative Clamp Voltage $0.5\text{ A} \leq I_{OUT} \leq 2.0\text{ A}$, Outputs OFF	V_{CL}	-20	-	-	V
Overtemperature Shutdown (Outputs OFF) (Note 18)	T_{SD}	160	170	190	$^\circ\text{C}$
Overtemperature Shutdown Hysteresis (Note 18)	$T_{SD(HYS)}$	10	-	30	$^\circ\text{C}$

Notes

- Output fault detection threshold with outputs programmed OFF. For the Low-Side Outputs, fault detection thresholds are the same for output open and battery shorts.
- Guaranteed by design. Not production tested.
- Output OFF Open Load Detection Current is the current required to flow through the load for the purpose of detecting the existence of an open load condition when the specific output is commanded OFF.
- Output fault detection threshold with outputs programmed OFF.
- Guaranteed by design. Not production tested.

Freescale Semiconductor, Inc.

STATIC ELECTRICAL CHARACTERISTICS (continued)

Characteristics noted under conditions $6.0\text{ V} \leq V_{\text{PWR}} \leq 27\text{ V}$, $4.5\text{ V} \leq V_{\text{DD}} \leq 5.5\text{ V}$, $-40^\circ\text{C} \leq T_{\text{J}} \leq 150^\circ\text{C}$ unless otherwise noted. Typical values noted reflect the approximate parameter mean at $T_{\text{A}} = 25^\circ\text{C}$ under nominal conditions unless otherwise noted.

Characteristic	Symbol	Min	Typ	Max	Unit
LOW-SIDE POWER OUTPUTS					
Drain-to-Source ON Resistance ($I_{\text{OUT}} = 0.3\text{ A}$) $T_{\text{J}} = 25^\circ\text{C}$ $V_{\text{PWR}} = 4.5\text{ V}; V_{\text{DD}} = 3.5\text{ V}$, 33888A Only $V_{\text{PWR}} = 6.0\text{ V}$ $V_{\text{PWR}} = 9.0\text{ V}$ $V_{\text{PWR}} = 13\text{ V}$ $T_{\text{J}} = 150^\circ\text{C}$ $V_{\text{PWR}} = 4.5\text{ V}; V_{\text{DD}} = 3.5\text{ V}$, 33888A Only $V_{\text{PWR}} = 6.0\text{ V}$ $V_{\text{PWR}} = 9.0\text{ V}$ $V_{\text{PWR}} = 13\text{ V}$	$R_{\text{DS(ON)}}$	–	–	8.0 1.0 0.7 0.6	Ω
Output Self-Limiting Current (Outputs Programmed ON, $V_{\text{OUT}} = 3.0\text{ V}$) Low-Side 4, 6, 8, 10 Low-Side 5, 7, 9, 11	I_{LIM}	0.5 0.8	0.9 1.3	1.5 2.0	A
Output OFF Open Load Detection Current (Note 19) Output Programmed OFF, $V_{\text{OUT}} = 3.0\text{ V}$	I_{OLDC}	25	50	100	μA
Output Fault Detection Threshold (Note 20) Output Programmed OFF	$V_{\text{OFD(THRES)}}$	2.0	3.0	4.0	V
Output Clamp Voltage $2.0\text{ mA} \leq I_{\text{OUT}} \leq 200\text{ mA}$, Outputs OFF	V_{CL}	41	53	60	V
Low-Side Body Diode Voltage ($I = -300\text{ mA}$, $T_{\text{J}} = 125^\circ\text{C}$)	V_{BD}	0.5	0.7	0.9	V
Overtemperature Shutdown (Outputs OFF) (Note 21)	T_{LIM}	160	170	190	$^\circ\text{C}$
Overtemperature Shutdown Hysteresis (Note 21)	$T_{\text{LIM(HYS)}}$	10	20	30	$^\circ\text{C}$

Notes

- Output OFF Open Load Detection Current is the current required to flow through the load for the purpose of detecting the existence of an open load condition when the specific output is commanded OFF.
- Output fault detection threshold with outputs programmed OFF. For the low-side outputs, fault detection thresholds are the same for output open and battery shorts.
- Guaranteed by design. Not production tested.

Freescale Semiconductor, Inc.

STATIC ELECTRICAL CHARACTERISTICS (continued)

Characteristics noted under conditions $6.0\text{ V} \leq V_{\text{PWR}} \leq 27\text{ V}$, $4.5\text{ V} \leq V_{\text{DD}} \leq 5.5\text{ V}$, $-40^\circ\text{C} \leq T_{\text{J}} \leq 150^\circ\text{C}$ unless otherwise noted. Typical values noted reflect the approximate parameter mean at $T_{\text{A}} = 25^\circ\text{C}$ under nominal conditions unless otherwise noted.

Characteristic	Symbol	Min	Typ	Max	Unit
CONTROL INTERFACE					
Input Logic High Voltage (Note 22)	V_{IH}	$0.7 V_{\text{DD}}$	–	–	V
Input Logic Low Voltage (Note 22)	V_{IL}	–	–	1.0	V
Input Logic Voltage Hysteresis (SI, $\overline{\text{CS}}$, SCLK, IHS[0:3], ILS) (Note 23)	$V_{\text{IN(HYS)}}$	100	350	750	mV
Input Logic Pulldown Current (SI, SCLK, IHS[0:3], ILS, WDIN)	I_{DWN}	5.0	–	20	μA
Input Logic Pulldown Resistor (WAKE, $\overline{\text{RST}}$)	R_{DWN}	100	200	400	$\text{k}\Omega$
Input Logic Pullup Current ($\overline{\text{CS}}$, $V_{\text{IN}} = 0.7 V_{\text{DD}}$) (Note 24)	I_{UPC}	5.0	–	20	μA
Input Logic Pullup Current (FSI, $V_{\text{IN}} = 3.5\text{ V}$)	I_{UPF}	5.0	–	20	μA
Wake Input Clamp Voltage ($I_{\text{WICl}} < 2.5\text{ mA}$) (Note 25)	V_{WIC}	7.0	–	14	V
Wake Input Forward Voltage ($I_{\text{WICl}} = -2.5\text{ mA}$)	V_{WIF}	-2.0	–	-0.3	V
SO High-State Output Voltage ($I_{\text{OH}} = 1.0\text{ mA}$)	V_{SOH}	$0.8 V_{\text{DD}}$	–	–	V
$\overline{\text{FS}}$, SO Low-State Output Voltage ($I_{\text{OL}} = -1.6\text{ mA}$)	V_{SOL}	–	0.2	0.4	V
SO Tri-State Leakage Current ($\overline{\text{CS}} \geq 3.5\text{ V}$)	I_{SOLK}	-5.0	0	5.0	μA
Input Capacitance (Note 26)	C_{IN}	–	4.0	12	pF
SO, $\overline{\text{FS}}$ Tri-State Capacitance (Note 23)	C_{SO}	–	–	20	pF

Notes

22. Upper and lower logic threshold voltage range applies to SI, $\overline{\text{CS}}$, SCLK, $\overline{\text{RST}}$, IHS[0:3], ILS, WAKE, and WDIN input signals. The WAKE, FSI, and $\overline{\text{RST}}$ signals are derived from an internal supply.
23. Parameter is guaranteed by design but is not production tested.
24. $\overline{\text{CS}}$ is pulled up to V_{DD} .
25. The current must be limited by a series resistor when using voltages higher than the W_{ICV} .
26. Input capacitance of SI, $\overline{\text{CS}}$, SCLK, $\overline{\text{RST}}$, IHS[0:3], ILS, WAKE, and WDIN. This parameter is guaranteed by process monitoring but is not production tested.

Freescale Semiconductor, Inc.

DYNAMIC ELECTRICAL CHARACTERISTICS

Characteristics noted under conditions $6.0\text{ V} \leq V_{PWR} \leq 27\text{ V}$, $4.5\text{ V} \leq V_{DD} \leq 5.5\text{ V}$, $-40^\circ\text{C} \leq T_J \leq 150^\circ\text{C}$ unless otherwise noted. Typical values noted reflect the approximate parameter mean at $T_A = 25^\circ\text{C}$ under nominal conditions unless otherwise noted.

Characteristic	Symbol	Min	Typ	Max	Unit
POWER OUTPUT TIMING					
High-Side Output Rising Fast Slew Rate (Note 27) 6.0 V < V _{PWR} < 9.0 V 9.0 V < V _{PWR} < 16 V 16 V < V _{PWR} < 27 V	SR _{R_FAST}	0.03 0.05 0.1	– 0.5 –	0.6 0.8 1.1	V/μs
High-Side Output Rising Slow Slew Rate (Note 28) 6.0 V < V _{PWR} < 9.0 V 9.0 V < V _{PWR} < 16 V 16 V < V _{PWR} < 27 V	SR _{R_SLOW}	0.01 0.01 0.01	– 0.08 –	0.14 0.18 0.2	V/μs
High-Side Output Falling Fast Slew Rate (Note 27) 6.0 V < V _{PWR} < 9.0 V 9.0 V < V _{PWR} < 16 V 16 V < V _{PWR} < 27 V	SR _{F_FAST}	0.2 0.3 0.5	– 0.8 –	1.0 1.5 2.2	V/μs
High-Side Output Falling Slow Slew Rate (Note 28) 6.0 V < V _{PWR} < 9.0 V 9.0 V < V _{PWR} < 16 V 16 V < V _{PWR} < 27 V	SR _{F_SLOW}	0.05 0.08 0.08	– 0.15 –	0.3 0.4 0.5	V/μs
High-Side Output Turn ON Delay Time (Note 29)	t _{DLY(ON)}	5.0	30	150	μs
High-Side Output Turn OFF Delay Time (Note 30)	t _{DLY(OFF)}	5.0	80	150	μs
Low-Side Output Falling Slew Rate (Note 31)	SR _F	0.5	3.0	10	V/μs
Low-Side Output Rising Slew Rate (Note 31)	SR _R	1.0	6.0	20	V/μs
Low-Side Output Turn ON Delay Time (Note 32)	t _{DLY(ON)}	0.5	2.0	10	μs
Low-Side Output Turn OFF Delay Time (Note 33)	t _{DLY(OFF)}	0.5	4.0	10	μs
Low-Side Output Fault Delay Timer (Note 34)	t _{DLY(FS)}	70	150	250	μs
Watchdog Timeout (Note 35)	t _{WDTO}	340	584	770	ms

Notes

- High-side output rise and fall fast slew rates measured across a 5.0 Ω resistive load at high-side output = 0.5 V to V_{PWR}-3.0 V (see Figure 2, page 18). These parameters are guaranteed by process monitoring.
- High-side output rise and fall slow slew rates measured across a 5.0 Ω resistive load at high-side output = 0.5 V to V_{PWR}-3.0 V (see Figure 2, page 18). These parameters are guaranteed by process monitoring.
- High-side output turn-ON delay time measured from 50% of the rising IHS to 0.5 V of output OFF with R_L = 27 Ω resistive load (see Figure 2, page 18).
- High-side output turn-OFF delay time measured from 50% of the falling IHS to V_{PWR}-2.0 V of the output OFF with R_L = 27 Ω resistive load (see Figure 2, page 18).
- Low-side output rise and fall slew rates measured across a 5.0 Ω resistive load at low-side output = 10% to 90% (see Figure 3, page 18).
- Low-side output turn-ON delay time measured from 50% of the rising ILS to 90% of V_{OUT} with R_L = 27 Ω resistive load (see Figure 3, page 18).
- Low-side output turn-OFF delay time measured from 50% of the falling ILS to 10% of V_{OUT} with R_L = 27 Ω resistive load (see Figure 3, page 18). These parameters are guaranteed by process monitoring.
- Propagation time of Short Fault Disable Report Delay measured from rising edge of $\overline{\text{CS}}$ to output disabled, low-side = 5.0 V, and device configured for low-side output overcurrent latchoff using CLOCCR.
- Watchdog timeout delay is measured from the rising edge of WAKE or $\overline{\text{RST}}$ from the sleep state to the HS[0:1] turn-ON with the outputs driven OFF and the FSI floating. The accuracy of t_{WDTO} is maintained for all configured watchdog timeouts.

Freescale Semiconductor, Inc.

DYNAMIC ELECTRICAL CHARACTERISTICS (continued)

Characteristics noted under conditions $6.0\text{ V} \leq V_{PWR} \leq 27\text{ V}$, $4.5\text{ V} \leq V_{DD} \leq 5.5\text{ V}$, $-40^\circ\text{C} \leq T_J \leq 150^\circ\text{C}$ unless otherwise noted. Typical values noted reflect the approximate parameter mean at $T_A = 25^\circ\text{C}$ under nominal conditions unless otherwise noted.

Characteristic	Symbol	Min	Typ	Max	Unit
----------------	--------	-----	-----	-----	------

POWER OUTPUT TIMING (continued)

Peak Current Limit Timer (Note 36)	t_{PCT}	40	70	100	ms
Direct Input Switching Frequency (Note 37)	f_{PWM}	–	125	–	Hz

SPI INTERFACE TIMING (Note 38)

Recommended Frequency of SPI Operation Normal Mode Extended Mode: $V_{DD} = 3.4\text{ V}$; $V_{PWR} = 4.5\text{ V}$, APNB Suffix Only	f_{SPI}	–	–	3.0 2.1	MHz
Required Low State Duration for \overline{RST} (Note 39)	t_{WRST}	–	50	167	ns
Rising Edge of \overline{CS} to Falling Edge of \overline{CS} (Required Setup Time) (Note 40)	t_{CS}	–	–	300	ns
Rising Edge of \overline{RST} to Falling Edge of \overline{CS} (Required Setup Time) (Note 40)	t_{ENBL}	–	–	5.0	μs
Falling Edge of \overline{CS} to Rising Edge of SCLK (Required Setup Time) (Note 40)	t_{LEAD}	–	50	167	ns
Required High State Duration of SCLK (Required Setup Time) (Note 40)	t_{WSCLKh}	–	–	167	ns
Required Low State Duration of SCLK (Required Setup Time) (Note 40)	t_{WSCLKl}	–	–	167	ns
Falling Edge of SCLK to Rising Edge of \overline{CS} (Required Setup Time) (Note 40)	t_{LAG}	–	50	167	ns
SI to Falling Edge of SCLK (Required Setup Time) (Note 40)	$t_{SI(SU)}$	–	25	83	ns
Falling Edge of SCLK to SI (Required Hold Time) (Note 40)	$t_{SI(HOLD)}$	–	25	83	ns
SO Rise Time $C_L = 200\text{ pF}$	t_{RSO}	–	25	50	ns
SO Fall Time $C_L = 200\text{ pF}$	t_{FSO}	–	25	50	ns
SI, \overline{CS} , SCLK, Incoming Signal Rise Time (Note 41)	t_{RSI}	–	–	50	ns
SI, \overline{CS} , SCLK, Incoming Signal Fall Time (Note 41)	t_{FSI}	–	–	50	ns
Time from Falling Edge of \overline{CS} to SO Low Impedance (Note 42)	$t_{SO(EN)}$	–	–	145	ns
Time from Rising Edge of \overline{CS} to SO High Impedance (Note 43)	$t_{SO(DIS)}$	–	65	145	ns
Time from Rising Edge of SCLK to SO Data Valid (Note 44) $0.2 V_{DD} \leq SO \leq 0.8 V_{DD}$, $C_L = 200\text{ pF}$	t_{VALID}	–	65	105	ns

Notes

36. t_{PCT} measured from the rising edge of \overline{CS} to 90% of $I_{LIMPKHS[x,x]}$ when the peak current limit is enabled.
37. This frequency is a typical value. Maximum switching frequencies are dictated by the turn-ON delay, turn-OFF delay, output rise and fall times, and the maximum allowable junction temperature.
38. Symmetrical 50% duty cycle SCLK clock period of 333 ns.
39. \overline{RST} low duration measured with outputs enabled and going to OFF or disabled condition.
40. Maximum setup time required for the 33888 is the minimum guaranteed time needed from the MCU.
41. Rise and fall time of incoming SI, \overline{CS} , and SCLK signals suggested for design consideration to prevent the occurrence of double pulsing.
42. Time required for output status data to be available for use at SO. 1.0 k Ω pullup on \overline{CS} .
43. Time required for output status data to be terminated at SO. 1.0 k Ω pullup on \overline{CS} .
44. Time required to obtain valid data out from SO following the rise of SCLK.

Timing Diagrams

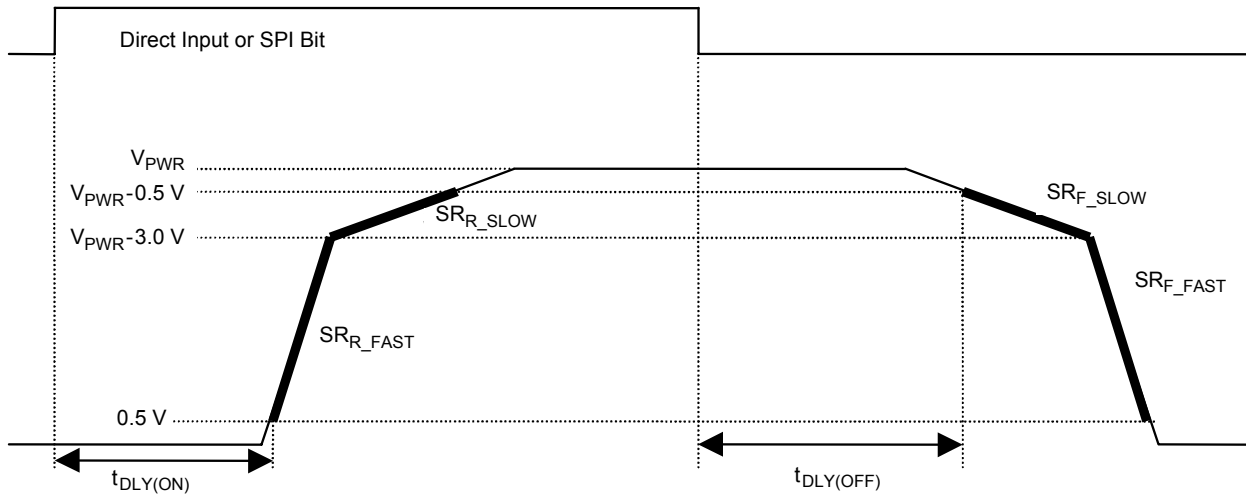


Figure 2. Output Slew Rates and Time Delays, High Side

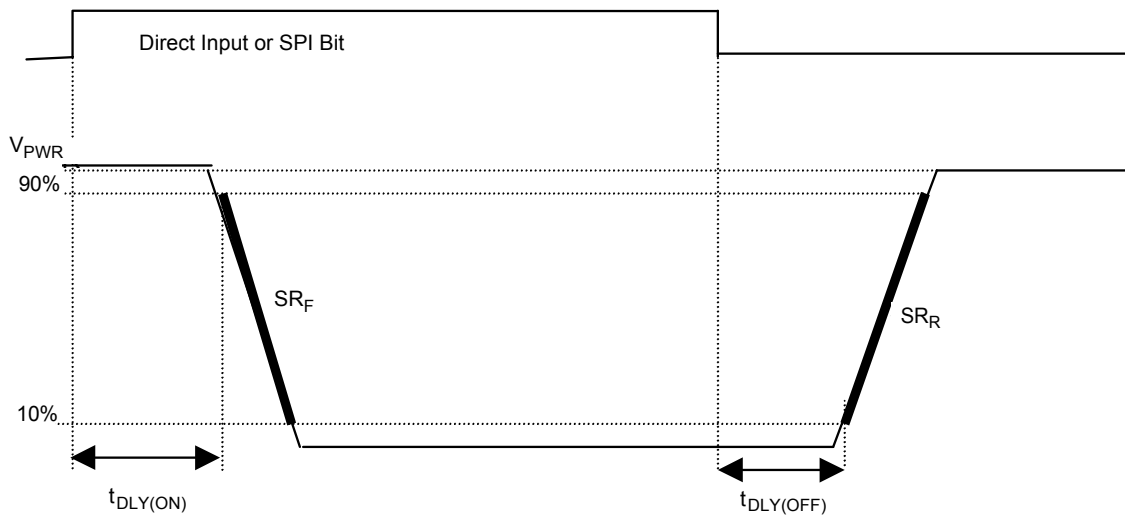


Figure 3. Output Slew Rates and Time Delays, Low Side

SYSTEM/APPLICATION INFORMATION

INTRODUCTION

This 33888 is a single-package combination of a power die with four discrete high-side MOSFETs and an integrated IC control die consisting of eight low-side drivers with appropriate control, protection, and diagnostic features. The high-side drivers are useful for both internal and external vehicle lighting applications as well as capable of driving inductive solenoid loads. The low-side drivers are capable of controlling low-current on/off type inductive loads, such as relays and solenoids as well as LED indicators and small lamps (see

simplified application diagram, [page 2](#)). The device is useful in body control, instrumentation, and other high-power switching applications and systems.

The 33888 is available in two packages: a power-enhanced 12 x 12 nonleaded Power QFN package with exposed tabs and a 64-lead Power QFP plastic package. Both packages are intended to be soldered directly onto the printed circuit board.

The 33888 differs from the 33888A as explained in [Table 1](#), page 2.

FUNCTIONAL DESCRIPTION

SPI Interface and Protocol Description

The SPI interface has full duplex, three-wire synchronous data transfer and has four I/O lines associated with it: Serial Clock (SCLK), Serial Input (SI), Serial Output (SO), and Chip Select (\overline{CS}).

The SI/SO terminals of the 33888 follow a first-in first-out (D15/D0) protocol with both input and output words transferring the most significant bit first. All inputs are compatible with 5.0 V CMOS logic levels. During SPI output control, a logic [0] in a message word will result in the designated output being turned off. Similarly, a logic [1] will turn on a corresponding output.

The SPI lines perform the following functions:

Serial Clock (SCLK)

The SCLK terminal clocks the internal shift registers of the 33888. The serial input (SI) terminal accepts data into the input shift register on the falling edge of the SCLK signal while the serial output terminal (SO) shifts data information out of the SO line driver on the rising edge of the SCLK signal. It is important that the SCLK terminal be in a logic [0] state whenever the chip select (\overline{CS}) makes any transition. For this reason, it is recommended that the SCLK terminal be kept in a logic [0] state as long as the device is not accessed (\overline{CS} in logic [1] state). SCLK has an active internal pulldown, I_{DWN} . When \overline{CS} is logic [1], signals at the SCLK and SI terminals are ignored and SO is tri-stated (high impedance). (See [Figures 4](#) and [5](#) on [page 20](#).)

Serial Interface (SI)

This is a serial interface (SI) command data input terminal. Each SI bit is read on the falling edge of SCLK. A 16-bit stream of serial data is required on the SI terminal, starting with D15 to D0. The 12 outputs of the 33888 are configured and controlled using the 3-bit addressing scheme and the 12 assigned data bits designed into the 33888. SI has an active internal pulldown, I_{DWN} .

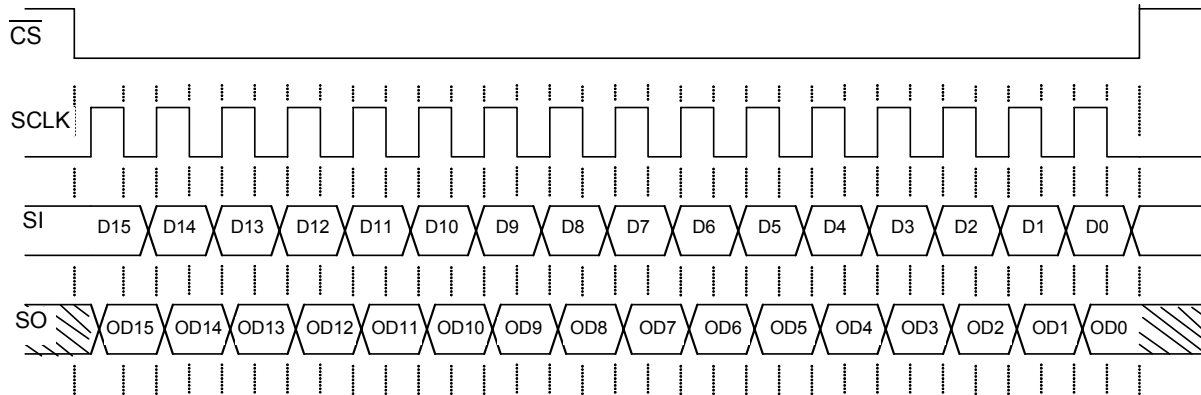
Serial Output (SO)

The SO data terminal is a tri-stateable output from the shift register. The SO terminal remains in a high-impedance state until the \overline{CS} terminal is put into a logic [0] state. The SO data report the status of the outputs as well as provide the capability to reflect the state of the direct inputs. The SO terminal changes states on the rising edge of SCLK and reads out on the falling edge of SCLK. When an output is ON or OFF and not faulted, the corresponding SO bit, OD11:OD0, is a logic [0]. If the output is faulted, the corresponding SO state is a logic [1]. SO OD14:OD12 reflect the state of six various inputs (three at a time) depending upon the reported state of the previously written watchdog bit OD15.

Chip Select (\overline{CS})

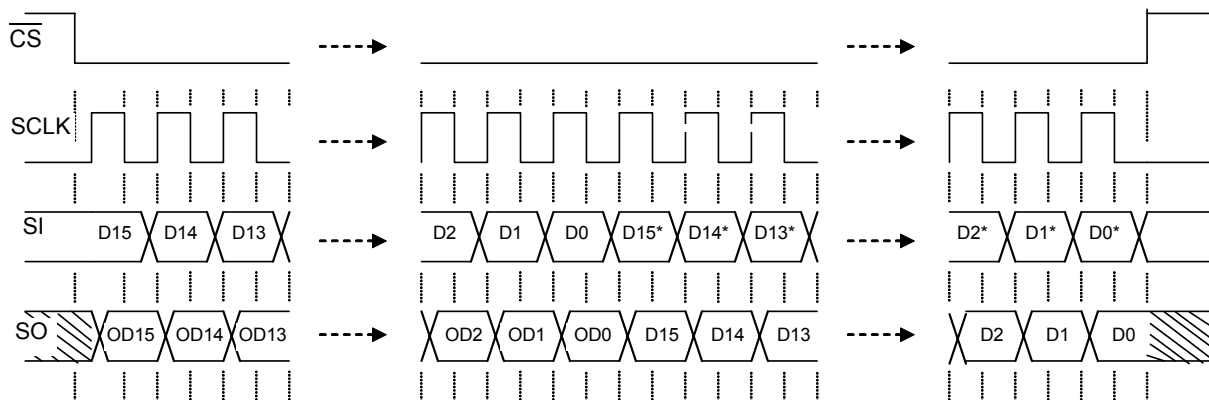
The \overline{CS} terminal enables communication with the master microcontroller (MCU). When this terminal is in a logic [0] state, the 33888 is capable of transferring information to and receiving information from the MCU. The 33888 latches in data from the input shift registers to the addressed registers on the rising edge of \overline{CS} . The 33888 transfers status information from the power outputs to the shift registers on the falling edge of \overline{CS} . The output driver on the SO terminal is enabled when \overline{CS} is logic [0]. \overline{CS} is only transitioned from a logic [1] state to a logic [0] state when SCLK is a logic [0]. \overline{CS} has an active internal pullup, I_{UP} .

The 33888 is capable of communicating directly with the MCU via the 16-bit SPI protocol as described in the next section.



- Notes
1. \overline{RST} is in a logic [1] state during the above operation.
 2. D15:D0 relate to the most recent ordered entry of program data into the 33888.
 3. OD15:OD0 relate to the first 16 bits of ordered fault and status data out of the 33888.

Figure 4. Single 16-Bit Word SPI Communication



- Notes
1. \overline{RST} is a logic [1] state during the above operation.
 2. D15:D0 relate to the most recent ordered entry of program data into the 33888.
 3. D15*:D0* relate to the first 16 bits of ordered entry data out of the 33888.
 4. OD15:OD0 relate to the first 16 bits of ordered fault and status data out of the 33888.

Figure 5. Multiple 16-Bit Word SPI Communication

Serial Input Communication

SPI communication is accomplished using 16-bit messages. A message is transmitted by the MCU starting with the MSB, D15, and ending with the LSB, D0 (refer to [Table 2](#), page 21). Each incoming command message on the SI terminal can be interpreted using the following bit assignments: the first twelve LSBs, D11:D0, control each of the twelve outputs; the next three bits, D14:D12, determine the command mode; and the MSB, D15, is the watchdog bit.

Multiple messages can be transmitted in succession to accommodate those applications where daisy chaining is desirable or to confirm transmitted data, as long as the messages are all multiples of 16 bits. Any attempt made to latch in a message that is not 16 bits will be ignored.

The 33888 has six registers that are used to configure the device and control the state of the four high-side and eight low-side outputs ([Table 3](#), page 21). The registers are addressed via D14:D12 of the incoming SPI word ([Table 2](#), page 21).

Table 2. SI Message Bit Assignment

Bit Sig	SI Msg Bit	Message Bit Description
MSB	D15	Watchdog in: toggled to satisfy watchdog requirements.
	D14:12	Register address bits.
	D11	Used to configure Low-Side Output LS11.
	D10	Used to configure Low-Side Output LS10.
	D9	Used to configure Low-Side Output LS9.
	D8	Used to configure Low-Side Output LS8.
	D7	Used to configure Low-Side Output LS7.
	D6	Used to configure Low-Side Output LS6.

Table 2. SI Message Bit Assignment (continued)

Bit Sig	SI Msg Bit	Message Bit Description
LSB	D5	Used to configure Low-Side Output LS5 (Watchdog timeout MSB during WDCSCR configuration).
	D4	Used to configure Low-Side Output LS4 (Watchdog timeout LSB during WDCSCR configuration).
	D3	Used to configure High-Side Output HS3.
	D2	Used to configure High-Side Output HS2.
	D1	Used to configure High-Side Output HS1.
	D0	Used to configure High-Side Output HS0.

Table 3. Serial Input Address and Configuration Bit Map

SI Register	WD	Address				Low-Side							High-Side			
	D15	D14	D13	D12	D11	D10	D9	D8	D7	D6	D5	D4	D3	D2	D1	D0
SOCR	x	0	0	0	LS11	LS10	LS9	LS8	LS7	LS6	LS5	LS4	HS3	HS2	HS1	HS0
DICR	x	1	0	0	PWB11	PWB10	PWB9	PWB8	PWB7	PWB6	PWB5	PWB4	PWB3	PWB2	PWB1	PWB0
LFCR	x	0	1	0	A/OB11	A/OB10	A/OB9	A/OB8	A/OB7	A/OB6	A/OB5	A/OB4	A/OB3	A/OB2	A/OB1	A/OB0
WDCSCR	x	1	1	0	NA	NA	NA	NA	NA	NA	WDH	WDL	CS3	CS2	CS1	CS0
OLCR	x	0	0	1	OL11	OL10	OL9	OL8	OL7	OL6	OL5	OL4	OLB3	OLB2	OLB1	OLB0
CLOCCR	x	1	0	1	OC11	OC10	OC9	OC8	OC7	OC6	OC5	OC4	ILIM3	ILIM2	ILIM1	ILIM0
NOT USED	x	0	1	1	-	-	-	-	-	-	-	-	-	-	-	-
TEST	x	1	1	1	-	-	-	-	-	-	-	-	ILIMPK	WD	ILIM	OT

x=Don't care.
NA=Not applicable.

Device Register Addressing

The following section describes the possible register addresses and their impact on device operation.

Address 000—SPI Output Control Register (SOCR)

The SOCR register allows the MCU to control the outputs via the SPI. Incoming message bits D3:D0 reflect the desired states of high-side outputs HS3:HS0. Message bits D11:D4 reflect the desired state of low-side outputs LS11:LS4, respectively.

Address 100—Direct Input Control Register (DICR)

The DICR register is used by the MCU to enable direct input control of the outputs. For the outputs, a logic [0] on bits D11:D0 will enable the corresponding output for direct control. A logic [1] on a D11:D0 bit will disable the output from direct control.

Address 010—Logic Function Control Register (LFCR)

The LFCR register is used by the MCU to configure the relationship between SOCR bits D11:D0 and the direct inputs IHS[0:3] and ILS. While addressing this register (if the direct inputs were enabled for direct control with the DICR), a logic [1] on any or all of the D3:D0 bits will result in a Boolean AND of the IHS[0:3] terminal(s) with its (their) corresponding D3:D0 message bit(s) when addressing the SOCR. A logic [1] on any or all of the D11:D4 bits will result in a Boolean AND of the ILS and the corresponding D11:D4 message bits when addressing the SOCR. Similarly, a logic [0] on the D3:D0 bits will result in a Boolean OR of the IHS[0:3] terminal(s) with their corresponding message bits when addressing the SOCR register, and the ILS will be Boolean ORed with message bits D11:D4 when addressing the SOCR register (if ILS is enabled).

Address 110—Watchdog and Current Sense Configuration Register (WDCSCR)

The WDCSCR register is used by the MCU to configure the watchdog timeout and the CSNS0-1 and CSNS2-3 terminals. The watchdog timeout is configured using bits D4 and D5. The state of D4 and D5 determine the divided value of the WDTO. For example, if D5 and D4 are logic [0] and logic [0], respectively, then the WDTO will be in the default state as specified in [Table 3](#), page 21. A D5 and a D4 of logic [0] and logic [1] will result in a watchdog timeout of $WDTO \div 2$. Similarly, a D5 and a D4 of logic [1] and logic [0] result in a watchdog timeout of $WDTO \div 4$, and a D5 and a D4 of logic [1] and logic [1] result in a watchdog timeout of $WDTO \div 8$. Note that when D5 and D4 bits are programmed for the desired watchdog timeout period, the WD bit (D15) should be toggled as well to ensure that the new timeout period is programmed at the beginning of a new count sequence.

CSNS0-1 is the current sense output for the HS0 and HS1 outputs. Similarly, the CSNS2-3 terminal is the current sense output for the HS2 and HS3 outputs. In this mode, a logic [1] on any or all of the message bits that control the high-side outputs will result in the sensed current from the corresponding output being directed out of the appropriate CSNS output. For example, if D1 and D0 are both logic [1], then the sensed current from HS0 and HS1 will be summed into the CSNS0-1. If D2 is logic [1] and D3 is logic [0], then only the sensed current from HS2 will be directed out of CSNS2-3.

Serial Output Communication (Devise Status Return Data)

When the \overline{CS} terminal is pulled low, the output status register for each output is loaded into the output register and the fault data is clocked out MSB (OD15) first as the new message data is clocked into the SI terminal.

OD15 reflects the state of the watchdog bit (D15) that was addressed during the prior SOCR communication (refer to [Table 4](#), page 23). If bit OD15 is logic [0], then the three MSBs OD14:OD12 will reflect the logic states of the IHS0, IHS1, and FSI terminals, respectively. If bit OD15 is logic [1], then the same three MSB bits will reflect the logic states of the IHS2, IHS3, and WAKE terminals. The next twelve bits clocked out of SO following a low transition of the \overline{CS} terminal (OD11:OD0) will reflect the state of each output, with a logic [1] in any of the

Address 001—Open Load Configuration Register (OLCR)

The OLCR register allows the MCU to configure each of the outputs for open load fault detection. While in this mode, a logic [1] on any of the D3:D0 message bits will disable the corresponding outputs' circuitry that allows the device to detect open load faults while the output is OFF. For the low-side drivers, a logic [1] on any of the D11:D4 bits will enable the open load detection circuitry. This feature allows the MCU to minimize load current in some applications and may be useful to diagnose output shorts to battery (for HS).

Address 101—Current Limit Overcurrent Configuration Register (CLOCCR)

The CLOCCR register allows the MCU to individually override the peak current limit levels for each of the high-side outputs. A logic [1] on any or all of the D3:D0 bit(s) results in the corresponding HS3:HS0 output terminals to current limit at the sustain current limit level. This register also allows the MCU to enable or disable the overcurrent shutdown of the low-side output terminals. A logic [1] on any or all of the D11:D4 message bit(s) will result in the corresponding LS11:LS4 terminals latching off if the current exceeds I_{LIM} after a timeout of $t_{DLY(\overline{FS})}$.

Address 011—Not Used

Not currently used.

Address 111—TEST

The TEST register is reserved for test and is not accessible via SPI during normal operation.

bits indicating that the respective output experienced a fault condition prior to the \overline{CS} transition. Any bits clocked out of the SO terminal after the first 16 will be representative of the initial message bits that were clocked into the SI terminal since the \overline{CS} terminal first transitioned to a logic [0]. This feature is useful for daisy chaining devices as well as message verification.

Following a \overline{CS} transition logic [0] to logic [1], the device determines if the message was of a valid length (a valid message length is one that is a multiple of 16 bits) and if so, latches the data into the appropriate registers. At this time, the SO terminal is tri-stated and the fault status register is now able to accept new fault status information.

Table 4. Serial Output Bit Assignment

Bit Sig	SO Msg Bit	Message Bit Description
MSB	OD15	Reflects the state of the Watchdog bit from the previously clocked-in message.
	OD14	If OD15 is logic [0], then this bit will reflect the state of the direct input IHS0. If OD15 is logic [1], then this bit will reflect the state of IHS2.
	OD13	If OD15 is logic [0], then this bit will reflect the state of the direct input IHS1. If OD15 is logic [1], then this bit will reflect the state of IHS3.
	OD12	If OD15 is logic [0], then this bit will reflect the state of the input FSI. If OD15 is logic [1], then this bit will reflect the state of the input WAKE.
	OD11	Reports the absence or presence of a fault on LS11.
	OD10	Reports the absence or presence of a fault on LS10.

Table 4. Serial Output Bit Assignment (continued)

Bit Sig	SO Msg Bit	Message Bit Description
LSB	OD9	Reports the absence or presence of a fault on LS9.
	OD8	Reports the absence or presence of a fault on LS8.
	OD7	Reports the absence or presence of a fault on LS7.
	OD6	Reports the absence or presence of a fault on LS6.
	OD5	Reports the absence or presence of a fault on LS5.
	OD4	Reports the absence or presence of a fault on LS4.
	OD3	Reports the absence or presence of a fault on HS3.
	OD2	Reports the absence or presence of a fault on HS2.
	OD1	Reports the absence or presence of a fault on HS1.
	OD0	Reports the absence or presence of a fault on HS0.

MODES OF OPERATION

Watchdog and Fail-Safe Operation

The watchdog is enabled and a timeout is started when the WAKE or RST transitions from logic [0] to logic [1]. The WAKE input is capable of being pulled up to V_{PWR} with a series limiting resistance that limits the internal clamp current. The timeout is a multiple of an internal oscillator. As long as the WDIN terminal or the WD bit (D15) of an incoming SPI message is toggled within the minimum watchdog timeout, WDTO (or a divided value configured during a WDCSCR message), then the device will operate normally. If the watchdog timeout occurs before the WD bit or the WDIN terminal is toggled, then the device will revert to a Fail-Safe mode until the device is reinitialized (if the FSI terminal is left disconnected).

During Fail-Safe mode, all outputs will be OFF except for HS0 and HS2, which will be driven ON regardless of the state of the various direct inputs and modes (Table 5). The device can be brought out of the Fail-Safe mode by transitioning the WAKE and RST terminals from logic [1] to logic [0]. In the event the WAKE terminal was not transitioned to a logic [1] during normal operation and the watchdog times out, then the device can be brought out of fail-safe by bringing the RST to a logic [0]. If the FSI terminal is tied to GND, then the watchdog, and therefore fail-safe operation, will be disabled.

Table 5. Fail-Safe Operation and Transitions to Other 33888 Modes

WAKE	RST	WDTO	HS0	HS2	LS[4:11], HS[1,3]	Comments
0	0	x	OFF	OFF	OFF	Device in Sleep mode.
1	0	NO	OFF	OFF	OFF	All outputs are OFF. When RST transitions to logic [1], device is in default.
1	0	YES	ON	ON	OFF	Fail-Safe mode. Device reset into Default mode by transitioning WAKE to logic [0].
0	1	NO	S	S	S	Device in Normal operating mode.
0	1	YES	ON	ON	OFF	Fail-Safe mode. Device reset into Default mode by transitioning RST to logic [0].
1	1	NO	S	S	S	Device in Normal operating mode.
1	1	YES	ON	ON	OFF	Fail-Safe mode. Device reset into Default mode by transitioning RST and WAKE to logic [0].

Assumptions: Normal operating voltage and junction temperatures, FSI terminal floating.
 x=Don't care.
 S=State determined by SPI and/or direct input configurations.

Default Mode

The default mode describes the state of the device after first applying V_{PWR} voltage or a reset transition from logic [0] to logic [1] prior to SPI communication. In the default mode, all outputs will be off (assuming that the direct inputs ILS and IHS[0:3] and the WAKE terminal are at logic [0]). All of the specific terminal functions will operate as though all of the addressable configuration register bits were set to logic [0]. This means, for example, that all of the low-side outputs will be controllable by the ILS terminal, and that all high-side outputs will be controllable via their respective IHS terminals. During the default mode, all high-side drivers will default with open load detection enabled. All low-side drivers will default with open load detection disabled. This mode allows limited control of the 33888 with the direct inputs in the absence of an SPI.

Returning the device to the default state after a period of normal operation, followed by the removal of the V_{PWR} voltage, requires that the \overline{RST} input be held at a logic [0] state until V_{PWR} falls to a level below 2.0 V. If the \overline{RST} and V_{DD} input levels are normal, then failure to allow V_{PWR} to fall below 2.0 V will result in an internal bias circuit clamping the V_{PWR} terminal to approximately 3.5 V. Once V_{PWR} falls below 2.0 V, the \overline{RST} can be returned to 5.0 V without re-enabling the bias circuit.

Fault Logic Requirements

The 33888 indicates all of the following faults as they occur:

- Overtemperature Fault
- Overvoltage Fault
- Open Load Fault
- Overcurrent Fault

With the exception of the overvoltage, these faults are output specific. The overvoltage fault is a global fault. The overcurrent fault is only reported for the low-side outputs.

The 33888 low-side outputs incorporate an internal fault filter, $t_{DLY(\overline{FS})}$. The fault timer filters noise and switching transients for overcurrent faults when the output is ON and open load faults when the output is OFF. All faults are latched and indicated by a logic [1] for each output in the 33888 status word (Table 4, page 23). If the fault is removed, the status bit for the faulted output will be cleared by a rising edge on \overline{CS} .

The \overline{FS} terminal is driven to a logic [0] when a fault exists on any of the outputs. \overline{FS} provides real time monitoring of the overvoltage fault. For the high-side outputs, \overline{FS} provides real time monitoring of the open load and overtemperature. For the low-side outputs, the \overline{FS} is latched to a logic [0] for open load, overtemperature, and overcurrent faults. The latch is cleared by toggling the state of the faulted output or by bringing \overline{RST} low.

Overtemperature Fault

The 33888 incorporates overtemperature detection and shutdown circuitry into each individual output structure. Overtemperature detection occurs when an output is in the ON state. When an output is shut down due to an overtemperature condition, no other output is affected. The output experiencing the fault is shut down to protect itself from damage. A fault bit is loaded into the status register if the overtemperature condition is removed, and the fault bit is cleared upon the rising edge of \overline{CS} .

For the low-side outputs, the faulted output is latched OFF during an overtemperature condition. If the temperature falls below the recovery level, $T_{LIM(HYS)}$, then the output can be turned back ON only after the output has first been commanded OFF either through the SPI or the ILS, depending on the logic configuration.

For the high-side output(s), an overtemperature condition will result in the output(s) turning OFF until the temperature falls below the $T_{LIM(HYS)}$. This cycle will continue indefinitely until action is taken by the MCU to shut the output(s) OFF.

Overvoltage Fault

The 33888 shuts down all outputs during an overvoltage condition on the V_{PWR} terminal. The outputs remain in the OFF state until the overvoltage condition is removed. Fault status for all outputs is latched into the status register. Following an overvoltage condition, the next write cycle sent by the SO terminal of the 33888 is logic [1] on OD11:OD0, indicating all outputs have shut down. If the overvoltage condition is removed, the status register can be cleared by a rising edge on \overline{CS} .

Open Load Fault

The 33888 incorporates open load detection circuitry on every output. A high-side or low-side output open load fault is detected and reported as a fault condition when the corresponding output is disabled (OFF) if it was configured for open load detection by setting the appropriate bit to logic [0] (HS3:HS0) or logic [1] (LS11:LS4) in the OLFCR register (Figure 6, page 25).

The high-side open load fault is detected and latched into the status register after the internal gate voltage is pulled low enough to turn off the output. If the open load fault is removed or if the faulted output is commanded ON, the status register can be cleared by a rising edge on \overline{CS} . Note that the device default state will enable the high-side open load detection and disable the low-side open load detection circuits, respectively.

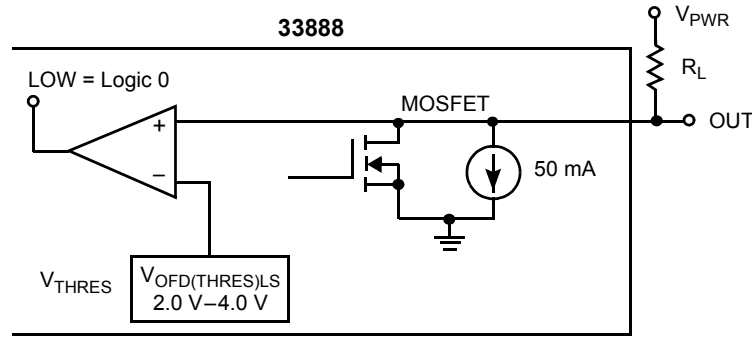


Figure 6. Low-Side Output OFF Open Load Detection

Overcurrent Fault Requirements: Low-Side Output

An overcurrent condition is defined as any current value greater than I_{LIM} (500 mA minimum value for LS5, LS7, LS9, LS11, and 800 mA minimum value for LS4, LS6, LS8, LS10). The status of the corresponding bit in the CLOCCR register determines whether a specific output shuts down or continues to operate in an analog current limited mode until either the overcurrent condition is removed or the thermal shutdown limit is reached (Figure 7, page 26). If the overcurrent shutdown mode is disabled, the fault reporting is disabled as well.

For the low-side output of interest, if a D11:D4 bit was set to a logic [1] in the OLCR register, the overcurrent protection shutdown circuitry will be enabled for that output. When a low-side output is commanded ON either from the SPI or the ILS terminal, the drain of the low-side driver will be monitored for a voltage greater than the fault detection threshold (3.0 V typical). If the drain voltage exceeds this threshold, a timer will start and the output will be turned off and a fault latched in the status register after the timeout expires. The faulted output can be retried only by commanding the output OFF and back ON either through the SPI or the ILS terminal, depending on the logic configuration. If the fault is gone, the retried output will return to normal operation and the status register can be cleared on a rising edge of \overline{CS} . If the fault remains, the retried output will latch off after the fault timer expires and the fault bit will remain set in the status register.

For the low-side output of interest, if a D11:D4 bit was set to a logic [0] in the OLCR register, the output experiencing an overcurrent condition is not disabled until an overtemperature fault threshold has been reached. The specific output goes into an analog current limit mode of operation, I_{LIM} . The 33888 uses overtemperature shutdown to protect all outputs in this mode of operation. If the overcurrent condition is removed before the output has reached its overtemperature limit, the output will function as if no fault has occurred.

Note that each pair of low-side drivers, LS4:LS5, LS6:LS7, LS8:LS9, and LS10:LS11, consists of a 500 mA and a 800 mA output. Each pair of outputs shares ground bondwires. The bondwires are not rated to handle both outputs in current limit mode simultaneously.

Overcurrent Fault Requirements: High-Side Output

For the high-side output of interest, the output current is limited to one of four levels depending on the type of high-side output, the amount of time that has elapsed since the output was switched on, and the state of the CLOCCR register. Assuming that bits D3:D0 of the CLOCCR register are at logic [0], the current limit levels of the outputs will be initially at their peak levels as specified by the $I_{LIM(PK)HS[0:3]}$. After the high-side output is switched on, the peak current timer starts. After a period of time t_{PCT} , the current limit level changes to the sustain levels $I_{LIMSUSHS[x,x]}$.

For the high-side output of interest, if a D3:D0 bit of the CLOCCR is at logic [1], then the assigned output will only current limit at the sustain level specified by $I_{LIMSUSHS[x,x]}$.

Current is limited until the overtemperature circuitry shuts OFF the device. The device turns ON automatically when the temperature falls below the $T_{LIM(HYS)}$. This cycle continues indefinitely until action is taken by the master to shut the output(s) OFF.

Reverse Battery Requirements

The low-side and high-side outputs survive the application of reverse battery as low as -16 V.

Ground Disconnect Protection

In the event that the 33888 ground is disconnected from load ground, the device protects itself and safely turns OFF the outputs, regardless of the state of the output at the time of disconnection.

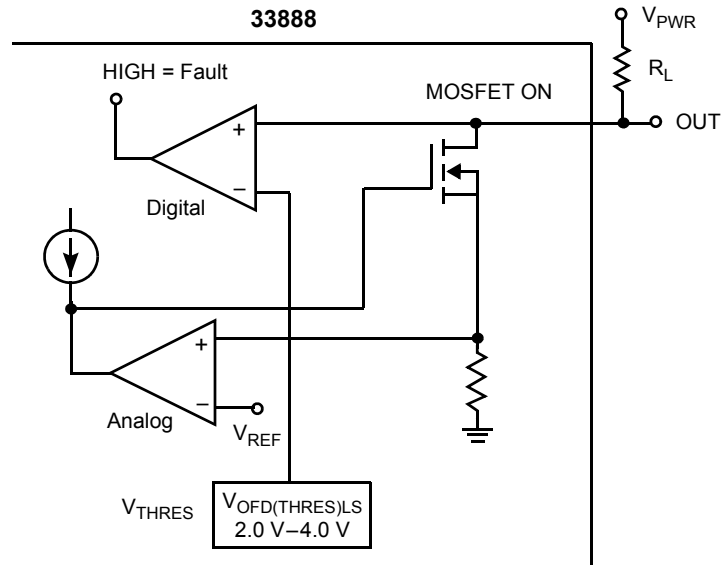


Figure 7. Low-Side Short Circuit Detection and Analog Current Limit

Undervoltage Shutdown Requirements

All outputs turn off at some battery voltage below 6.0 V; for the A version, the low side shutdown at a lower value, V_{PWRUV} . However, as long as the level stays above 5.0 V, the internal logic states within the device are designed to be sustained. This ensures that when the battery level then rises above 6.0 V, the device will return to the state that it was in prior to the excursion between 5.0 V and 6.0 V (assuming that there was no SPI communication or direct input changes during the event). If the battery voltage falls to a level below 5.0 V, then the internal logic is reinitialized and the device is then in the default state upon the return of levels in excess of 6.0 V.

Output Voltage Clamping

Each output has an internal clamp to provide protection and dissipate the energy stored in inductive loads. Each clamp independently limits the drain-to-source voltage to the range specified in the Power Outputs section of the [STATIC ELECTRICAL CHARACTERISTICS](#) table beginning on page 12. Also see [Figure 8](#).

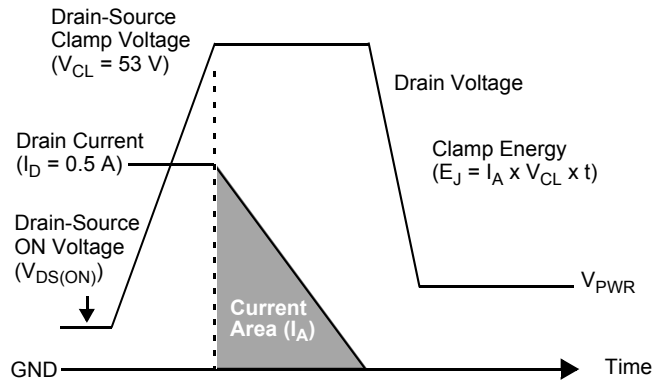


Figure 8. Low-Side Output Voltage Clamping

PACKAGE INFORMATION

Soldering Information

The 33888 is packaged in a surface mount power package intended to be soldered directly onto the printed circuit board.

The device was qualified in accordance with JEDEC standards JESD22-A113-B and J-STD-020A. The recommended reflow conditions are as follows:

- Convection: 225°C +5.0°C/-0°C
- Vapor Phase Reflow (VPR): 215°C to 219°C
- Infrared (IR)/Convection: 225°C +5.0°C/-0°C

The maximum peak temperature during the soldering process should not exceed 230°C. The time at maximum temperature should range from 10 seconds to 40 seconds maximum.

APPLICATIONS

Typical Application

Figure 9 shows a typical application for the 33888.

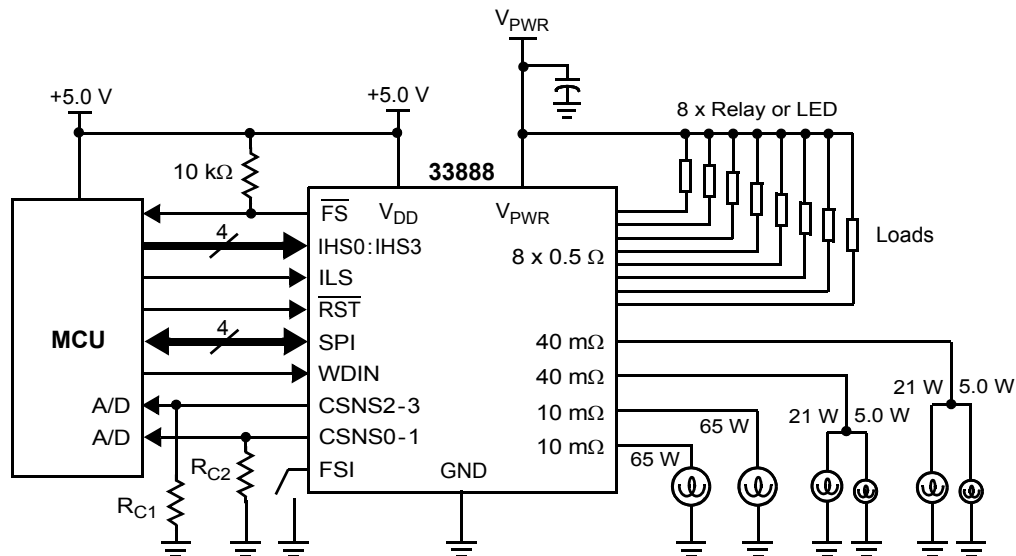
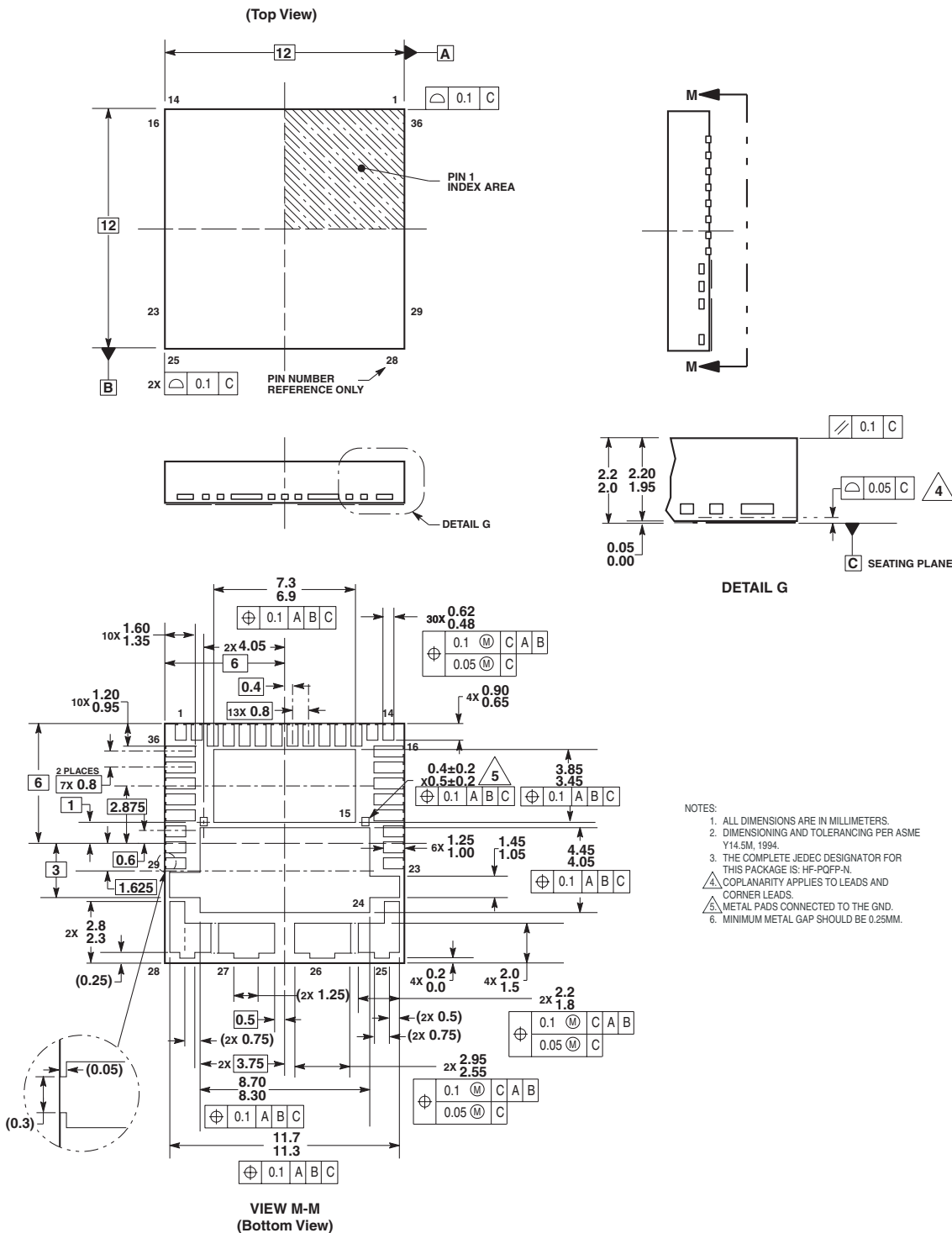


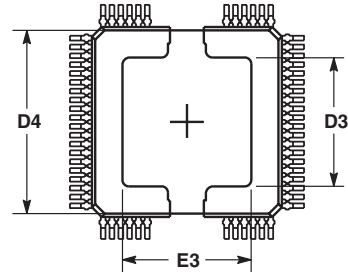
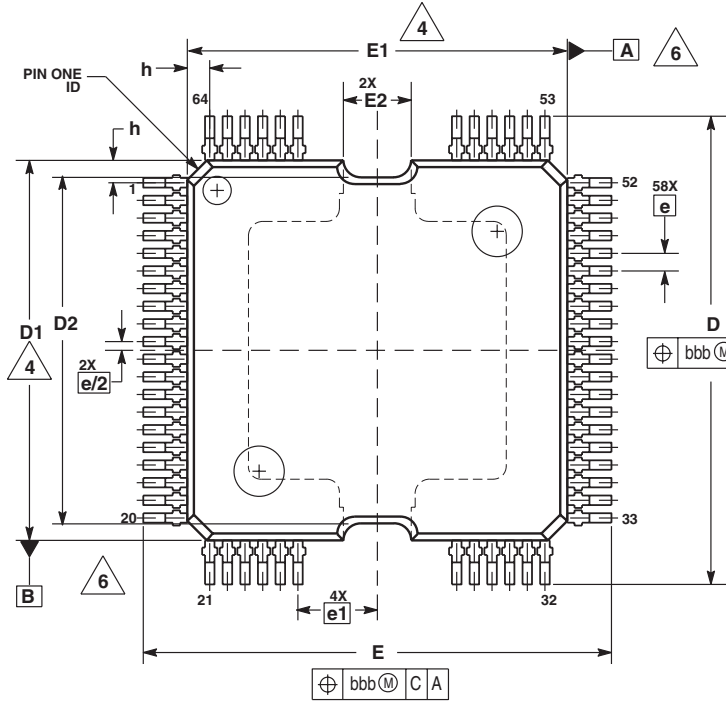
Figure 9. 33888 Typical Application Diagram

PACKAGE DIMENSIONS

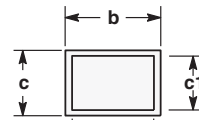
PNB SUFFIX
 APNB SUFFIX
 36-TERMINAL PQFN
 NONLEADED PACKAGE
 CASE 1438-06
 ISSUE E



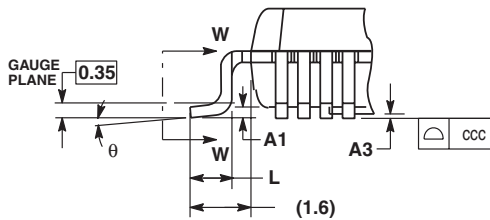
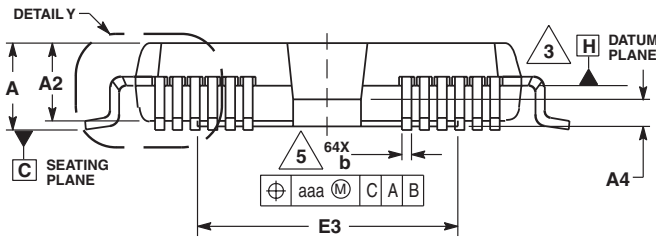
FB SUFFIX
64-TERMINAL PQFP
PLASTIC PACKAGE
CASE 1315-03
ISSUE B



BOTTOM VIEW



SECTION W-W



DETAILY

NOTES:

1. DIMENSIONS ARE IN MILLIMETERS.
2. INTERPRET DIMENSIONS AND TOLERANCES PER ASME Y14.5M, 1994.
3. DATUM PLANE -H- IS LOCATED AT BOTTOM OF LEAD AND IS COINCIDENT WITH THE LEAD WHERE THE LEAD EXITS THE PLASTIC BODY AT THE BOTTOM OF THE PARTING LINE.
4. DIMENSIONS "D1" AND "E1" DO NOT INCLUDE MOLD PROTRUSION, ALLOWABLE PROTRUSION IS 0.15 PER SIDE. DIMENSION "D1" AND "E1" DO NOT INCLUDE MOLD MISMATCH AND ARE DETERMINED AT DATUM PLANE -H-.
5. DIMENSION "b" DOES NOT INCLUDE DAMBAR PROTRUSION, ALLOWABLE DAMBAR PROTRUSION SHALL BE 0.127 TOTAL, IN EXCESS OF THE "b" DIMENSION AT MAXIMUM MATERIAL CONDITION.
6. DATUMS -A- AND -B- TO BE DETERMINED AT DATUM PLANE -H-.

MILLIMETERS		
DIM	MIN	MAX
A	---	3.15
A1	---	0.25
A2	2.5	2.9
A3	0	0.1
A4	0.8	1
D	16.95	17.45
D1	13.9	14.1
D2	12.5	12.9
D3	9.3	9.7
D4	13.4	13.6
E	16.95	17.45
E1	13.9	14.1
E2	2.35	2.65
E3	9.3	9.7
L	0.8	1.1
b	0.22	0.38
b1	0.22	0.33
c	0.23	0.32
c1	0.23	0.29
e	0.65 BSC	
e1	2.925 BSC	
h	---	0.8
θ	0°	7°
aaa	0.12	
bbb	0.2	
ccc	0.1	

NOTES

NOTES

Freescale Semiconductor, Inc.

Freescale Semiconductor, Inc.

Information in this document is provided solely to enable system and software implementers to use Motorola products. There are no express or implied copyright licenses granted hereunder to design or fabricate any integrated circuits or integrated circuits based on the information in this document.

Motorola reserves the right to make changes without further notice to any products herein. Motorola makes no warranty, representation or guarantee regarding the suitability of its products for any particular purpose, nor does Motorola assume any liability arising out of the application or use of any product or circuit, and specifically disclaims any and all liability, including without limitation consequential or incidental damages. "Typical" parameters which may be provided in Motorola data sheets and/or specifications can and do vary in different applications and actual performance may vary over time. All operating parameters, including "Typicals" must be validated for each customer application by customer's technical experts. Motorola does not convey any license under its patent rights nor the rights of others. Motorola products are not designed, intended, or authorized for use as components in systems intended for surgical implant into the body, or other applications intended to support or sustain life, or for any other application in which the failure of the Motorola product could create a situation where personal injury or death may occur. Should Buyer purchase or use Motorola products for any such unintended or unauthorized application, Buyer shall indemnify and hold Motorola and its officers, employees, subsidiaries, affiliates, and distributors harmless against all claims, costs, damages, and expenses, and reasonable attorney fees arising out of, directly or indirectly, any claim of personal injury or death associated with such unintended or unauthorized use, even if such claim alleges that Motorola was negligent regarding the design or manufacture of the part.

MOTOROLA and the Stylized M Logo are registered in the US Patent and Trademark Office. All other product or service names are the property of their respective owners.

© Motorola, Inc. 2004

HOW TO REACH US:

USA/EUROPE/LOCATIONS NOT LISTED:

Motorola Literature Distribution
P.O. Box 5405, Denver, Colorado 80217
1-800-521-6274 or 480-768-2130

JAPAN: Motorola Japan Ltd.; SPS, Technical Information Center
3-20-1 Minami-Azabu, Minato-ku, Tokyo 106-8573, Japan
81-3-3440-3569

ASIA/PACIFIC: Motorola Semiconductors H.K. Ltd.; Silicon Harbour Centre
2 Dai King Street, Tai Po Industrial Estate, Tai Po, N.T., Hong Kong
852-26668334

HOME PAGE: <http://motorola.com/semiconductors>



MOTOROLA

**For More Information On This Product,
Go to: www.freescale.com**

MC33888