



### FEATURES

- Handles from signal level to 5 amps
- 1 Form A contact form
- Ultra Slim, 5 MM package
- SIL terminal pattern
- Terminals on 1/10 in grid pattern
- 2 Kv dielectric between coil and contacts
- Sealed, immersion cleanable
- **Now available Lead Free & RoHS Compliant**



File # E86876

### UL/CSA RATINGS

Load Type	All Forms All Contacts
General Use	3A or 5A at 30VDC / 250VAC
Resistive	3A or 5A at 30VDC / 250VAC
Minimum Load	0.1 mA @ 0.1 VDC

### CONTACT DATA

<b>Material</b>		AgCdO (Silver Cadmium Oxide) AgCdO+Au (Silver Cad Oxide Gold Clad)
<b>Initial Contact Resistance</b>		100 milliohms max @ 0.1A, 6VDC
<b>Service Life</b>	<b>Mechanical</b>	2 X 10 <sup>7</sup> Operations
	<b>Electrical</b>	1 X 10 <sup>5</sup> Operations

### CHARACTERISTICS

<b>Operate Time</b>	6 ms. Max.
<b>Release Time</b>	3 ms. Max.
<b>Insulation Resistance</b>	1000 megohms min, at 500VDC, 50%RH
<b>Dielectric Strength</b>	2000 Vrms, 1 min. between coil and contacts 1000 Vrms, 1 min. between open contacts
<b>Shock Resistance</b>	10 g, 11ms, functional; 100 g, destructive
<b>Vibration Resistance</b>	DA 2.5 mm, 10 - 55 Hz
<b>Power Consumption</b>	.12W
<b>Ambient Temperature Range</b>	-40 to 70 C operating for class B, -40 to 130 C storage
<b>Weight</b>	3 grams approx.

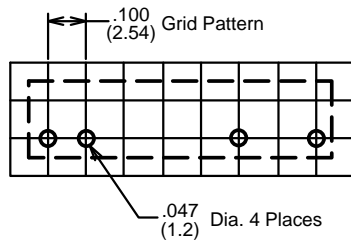
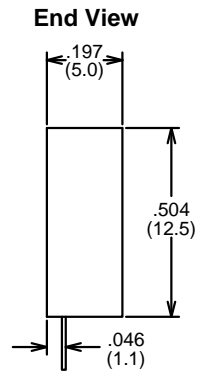
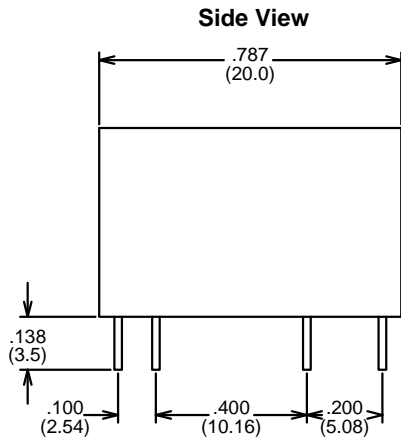
### ORDERING INFORMATION

Example:	PC457	-1A	-12	S	-5	-X
Model						
Contact Form						
1A						
Coil Voltage						
Enclosure						
S: Sealed; C: Flux Free						
Contact Rating						
3: 3 AMP; 5: 5 AMP						
RoHS Compliant						
Nil: Not Rohs, -X: RoHS Compliant						

**COIL DATA**

Coil Voltage	Resistance ohms $\pm 10\%$	Must Operate Voltage Max. (VDC)	Must Release Voltage Min. (VDC)	Continuous Voltage Max. (VDC)
5	208	3.5	0.25	5.5
6	300	4.2	0.30	6.6
9	675	6.3	0.45	9.9
12	1200	8.4	0.60	13.2
18	2700	12.6	0.90	19.8
24	3200	16.8	1.20	26.4

**Dimensions in Inches (millimeters)  
Drawings are 2X actual size**



**Hole Pattern**



**Wiring Diagram**

**Notes:**

Tolerances  $\pm .010$  unless otherwise noted  
 Relays previously tested or used above 10mA at 6VDC or higher  
 are not recommended for subsequent use in low level applications



3220 Commander Drive, Suite 102, Carrollton, Texas 75006

Sales: Call Toll Free (888) 997-3933 Fax (818) 342-5296 email: pickerwest@sbcglobal.net URL: pickercomponents.com