

## Ultraminiature Automotive PCB Power Relay

# PC565



### FEATURES

- Ultraminiature design very light weight
- Sensitive Coil (low pull in voltage) available
- Contact switching capacity up to 30 Amps
- Sealed, immersion cleanable
- Up to 105 degrees C operating temperature

### CONTACT RATINGS

Contact Form	1 Form A or 1 Form C SPST NO or SPDT
Max Switching Current	30 Amps
Motor Locked Rotor	25 Amps at 14 VDC
Max. Switching Voltage	16 VDC
Max. Continuous Current	25 Amps
Max. Switching Power	480 W

### CONTACT DATA

Material	AgSnO (Silver Tin Oxide)	
Initial Contact Resistance	100 milliohms max @ 0.1A, 6VDC	
Service Life	Mechanical	1 X 10 <sup>6</sup> Operations
	Electrical	1 X 10 <sup>5</sup> Operations

### CHARACTERISTICS

Operate Time	2.5 ms. typical (no coil suppression)
Release Time	1.2 ms. typical (no coil suppression)
Insulation Resistance	100 megohms min, at 500VDC, 50%RH
Dielectric Strength	1000 Vrms, 1 min. between coil and contacts
Shock Resistance	30 g, 6 ms, functional; 100 g, destructive
Vibration Resistance	6g, 10 - 500 Hz
Drop Resistance	1 Meter height drop on concrete
Power Consumption	0.64 W and 0.80 W
Ambient Temperature Range	-40 to 85 degrees C or -40 to 105 degrees C operating
Weight	4.1 grams approx.

### ORDERING INFORMATION

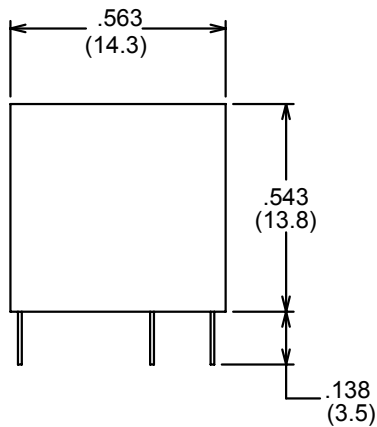
Example:	PC565-	012-	1C-	H-	F
Model					
Coil Voltage Code					
Contact Form					
1A or 1C					
Coil Power					
Nil: 0.64 W; H: Sensitive 0.80 W					
Ambient Temperature Rating					
Nil: 85 Degrees C; F: 105 Degrees C					

**COIL DATA**

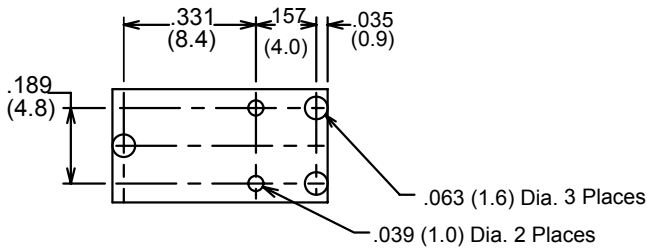
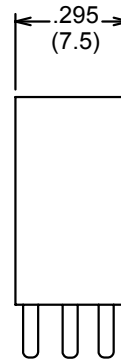
Coil Voltage Code	Resistance ohms $\pm 10\%$	Must Operate Voltage Max. (VDC)	Must Release Voltage Min. (VDC)	Coil Power Consumption (W)
012	225	7.2	1.0	0.64
012 (H)	180	6.5	1.0	0.80

**Dimensions in Inches (millimeters)**  
**Drawings are 2X actual size**

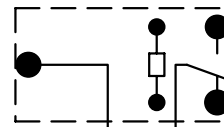
**Side View**



**End View**



**Bottom View  
PC Board Layout**



**Bottom View  
Wiring Diagram**

Notes:  
 Contact Form C shown  
 On Contact Form A Unused Pin is Omitted  
 Tolerances  $\pm .010$  unless otherwise noted



3220 Commander Drive, Suite 102, Carrollton, Texas 75006

Sales: Call Toll Free (888) 997-3933 Fax (818) 342-5296 email: pickerwest@sbcglobal.net URL: pickercomponents.com