

Ultraminiature Automotive PCB Twin Power Relay

PC619



FEATURES

- Subminiature twin relay
- 2 X 1 C contact form
- Contact switching capacity up to 60 Amps
- Sealed, immersion cleanable
- Super quiet version available
- Coils can be used together or independently
- Uniquely designed for motor reversing

CONTACT RATINGS

Contact Form	2 Times 1 Form C 2 X SPDT
Max Switching Current	Make 60 Amps
	Break 40 Amps
Max. Switching Voltage	16 VDC
Max. Continuous Current	20 Amps @ 14 VDC
Minimum Load	0.5 Amps @ 12 VDC

CONTACT DATA

Material	AgSnO (Silver Tin Oxide) AgSnOInO (Silver Tin Oxide Indium Oxide)	
Initial Contact Resistance	100 milliohms max @ 0.1A, 6VDC	
Service Life	Mechanical	1 X 10 ⁷ Operations
	Electrical	1 X 10 ⁵ Operations

CHARACTERISTICS

Operate Time	10 ms. typical
Release Time	10 ms. typical
Insulation Resistance	1000 megohms min, at 500VDC, 50%RH
Dielectric Strength	1000 Vrms, 1 min. between coil and contacts
Shock Resistance	30 g, 6 ms, functional; 100 g, destructive
Vibration Resistance	6g, 10 - 500 Hz
Drop Resistance	1 Meter height drop on concrete
Power Consumption	0.64 W
Ambient Temperature Range	-40 to 85 degrees C operating, -40 to 125 storage
Weight	17 grams approx.

ORDERING INFORMATION

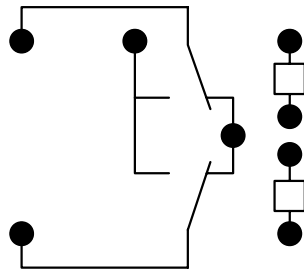
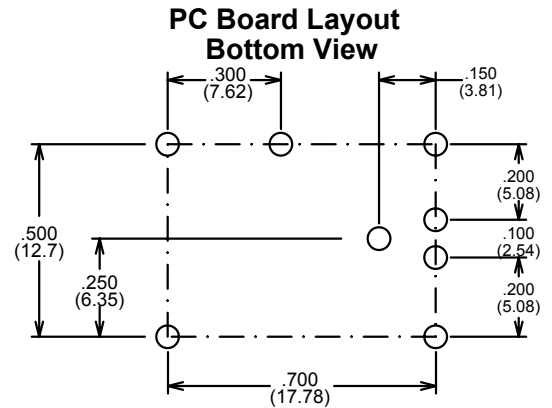
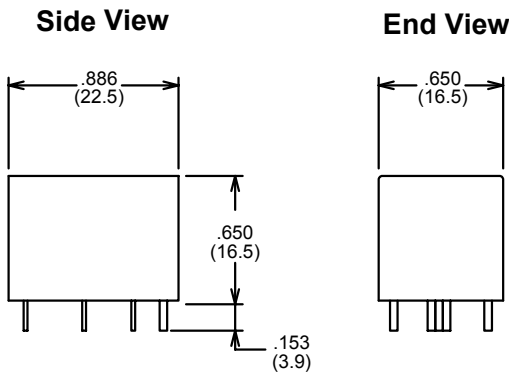
Example:	PC619	-12	S	Q	T
Model					
Coil Voltage					
Enclosure					
C: Dust Cover, S: Sealed Case					
Noise Code					
Nil: Standard, Q: Super Quiet					
Contact Material					
Nil: AgSnO, T: AgSnOInO					

COIL DATA

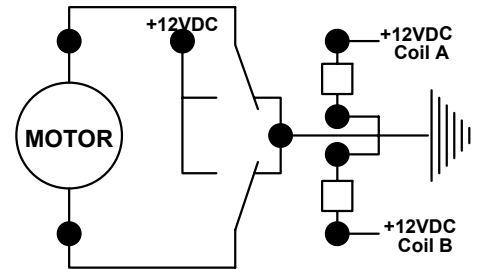
Coil Voltage	Resistance ohms \pm 10%	Must Operate Voltage Max. (VDC)	Must Release Voltage Min. (VDC)	Continuous Voltage Max. (VDC)
12	225	6.8	1.2	14.4

Note: Custom coil voltages are available on special order.

Dimensions in Inches (millimeters)



**Wiring Diagram
Bottom View**



**Typical Schematic
Motor on, off, Fwd. & Rev.**

Notes:

Tolerances \pm .010 unless otherwise noted



3220 Commander Drive, Suite 102, Carrollton, Texas 75006

Sales: Call Toll Free (888) 997-3933 Fax (818) 342-5296 email: pickerwest@sbcglobal.net URL: pickercomponents.com