

## 8-INPUT MULTIPLEXER/REGISTER WITH TRANSPARENT LATCHES; 3-STATE

## FEATURES

- Transparent data latches
- Transparent address latch
- Easily expanding
- Complementary outputs
- Output capability: bus driver
- I<sub>CC</sub> category: MSI

## GENERAL DESCRIPTION

The 74HC/HCT354 are high-speed Si-gate CMOS devices and are pin compatible with low power Schottky TTL (LSTTL). They are specified in compliance with JEDEC standard no. 7A.

The 74HC/HCT354 data selectors/multiplexers contain full on-chip binary decoding, to select one-of-eight data sources. The data select address is stored in transparent latches that are enabled by a LOW on the latch enable input (LE).

The transparent 8-bit data latches are enabled when the active LOW data enable input ( $\bar{E}$ ) is LOW. When the output enable input  $OE_1 = \text{HIGH}$ ,  $OE_2 = \text{HIGH}$  or  $OE_3 = \text{LOW}$ , the outputs go to the high impedance OFF-state. Operation of these output enable inputs does not affect the state of the latches.

SYMBOL	PARAMETER	CONDITIONS	TYPICAL		UNIT
			HC	HCT	
$t_{PHL}/t_{PLH}$	propagation delay $D_n, \bar{E}$ to $Y, \bar{Y}$ $S_n, \bar{CE}$ to $Y, \bar{Y}$	$C_L = 15 \text{ pF}$ $V_{CC} = 5 \text{ V}$	20 24	22 27	ns ns
$C_i$	input capacitance		3.5	3.5	pF
$C_{pD}$	power dissipation capacitance per latch	notes 1 and 2	68	71	pF

GND = 0 V;  $T_{amb} = 25 \text{ }^\circ\text{C}$ ;  $t_r = t_f = 6 \text{ ns}$

## Notes

1.  $C_{pD}$  is used to determine the dynamic power dissipation ( $P_D$  in  $\mu\text{W}$ ):

$$P_D = C_{pD} \times V_{CC}^2 \times f_i + \Sigma (C_L \times V_{CC}^2 \times f_o) \text{ where:}$$

$$f_i = \text{input frequency in MHz} \quad C_L = \text{output load capacitance in pF}$$

$$f_o = \text{output frequency in MHz} \quad V_{CC} = \text{supply voltage in V}$$

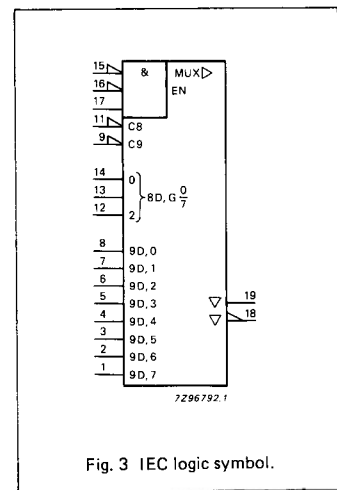
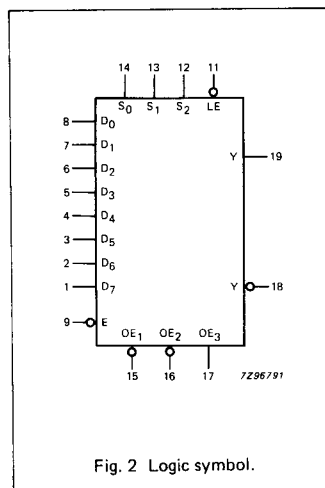
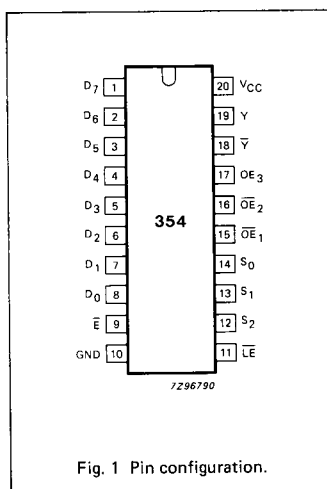
$$\Sigma (C_L \times V_{CC}^2 \times f_o) = \text{sum of outputs}$$

2. For HC the condition is  $V_i = \text{GND to } V_{CC}$   
For HCT the condition is  $V_i = \text{GND to } V_{CC} - 1.5 \text{ V}$

## PACKAGE OUTLINES

20-lead DIL; plastic (SOT146).

20-lead mini-pack; plastic (SO20; SOT163A).



74HC/HCT354

MSI

## PIN DESCRIPTION

PIN NO.	SYMBOL	NAME AND FUNCTION
8, 7, 6, 5, 4, 3, 2, 1	D <sub>0</sub> to D <sub>7</sub>	data inputs
9	$\bar{E}$	data enable input (active LOW)
10	GND	ground (0 V)
11	$\bar{L}\bar{E}$	address latch enable input (active LOW)
14, 13, 12	S <sub>0</sub> , S <sub>1</sub> , S <sub>2</sub>	select inputs
15, 16	$\bar{O}E_1, \bar{O}E_2$	output enable inputs (active LOW)
17	OE <sub>3</sub>	output enable input (active HIGH)
18	Y	3-state multiplexer output (active LOW)
19	Y	3-state multiplexer output (active HIGH)
20	V <sub>CC</sub>	positive supply voltage

## FUNCTION TABLE

INPUTS							OUTPUTS		DESCRIPTION
ADDRESS *			$\bar{E}$	OUTPUT ENABLE			Y	$\bar{Y}$	
S <sub>2</sub>	S <sub>1</sub>	S <sub>0</sub>		$\bar{O}E_1$	$\bar{O}E_2$	OE <sub>3</sub>			
X	X	X	X	H	X	X	Z	Z	outputs in high impedance OFF-state
X	X	X	X	X	H	X	Z	Z	
X	X	X	X	X	X	L	Z	Z	
L	L	L	L	L	L	H	D <sub>0</sub>	$\bar{D}_0$	data latch is transparent
L	L	H	L	L	L	H	D <sub>1</sub>	$\bar{D}_1$	
L	H	L	L	L	L	H	D <sub>2</sub>	$\bar{D}_2$	
L	H	H	L	L	L	H	D <sub>3</sub>	$\bar{D}_3$	
H	L	L	L	L	L	H	D <sub>4</sub>	$\bar{D}_4$	
H	L	H	L	L	L	H	D <sub>5</sub>	$\bar{D}_5$	
H	H	L	L	L	L	H	D <sub>6</sub>	$\bar{D}_6$	
H	H	H	L	L	L	H	D <sub>7</sub>	$\bar{D}_7$	
L	L	L	H	L	L	H	D <sub>0n</sub>	$\bar{D}_{0n}$	data is latched
L	L	H	H	L	L	H	D <sub>1n</sub>	$\bar{D}_{1n}$	
L	H	L	H	L	L	H	D <sub>2n</sub>	$\bar{D}_{2n}$	
L	H	H	H	L	L	H	D <sub>3n</sub>	$\bar{D}_{3n}$	
H	L	L	H	L	L	H	D <sub>4n</sub>	$\bar{D}_{4n}$	
H	L	H	H	L	L	H	D <sub>5n</sub>	$\bar{D}_{5n}$	
H	H	L	H	L	L	H	D <sub>6n</sub>	$\bar{D}_{6n}$	
H	H	H	H	L	L	H	D <sub>7n</sub>	$\bar{D}_{7n}$	

D<sub>0</sub> to D<sub>7</sub> = data at inputs D<sub>0</sub> to D<sub>7</sub>D<sub>0n</sub> to D<sub>7n</sub> = data at inputs D<sub>0</sub> to D<sub>7</sub> before the most recent LOW-to-HIGH transition of  $\bar{E}$ 

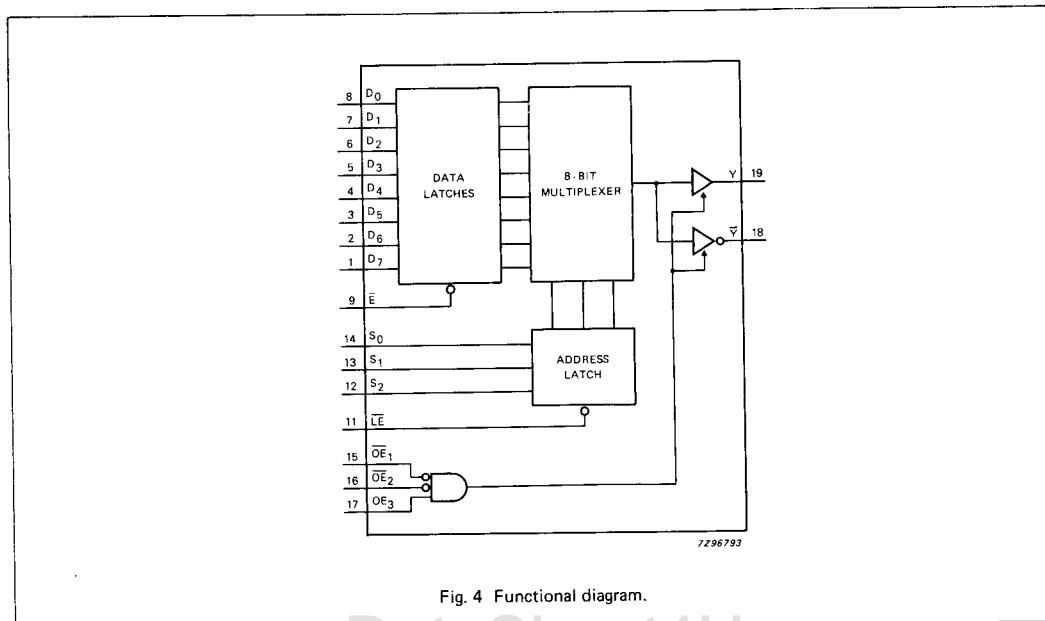
H = HIGH voltage level

L = LOW voltage level

X = don't care

Z = high impedance OFF-state

\* This column shows the input address set-up with  $\bar{L}\bar{E}$  = LOW (address latch is transparent).



www.DataSheet4U.com

**74HC/HCT354**  
MSI

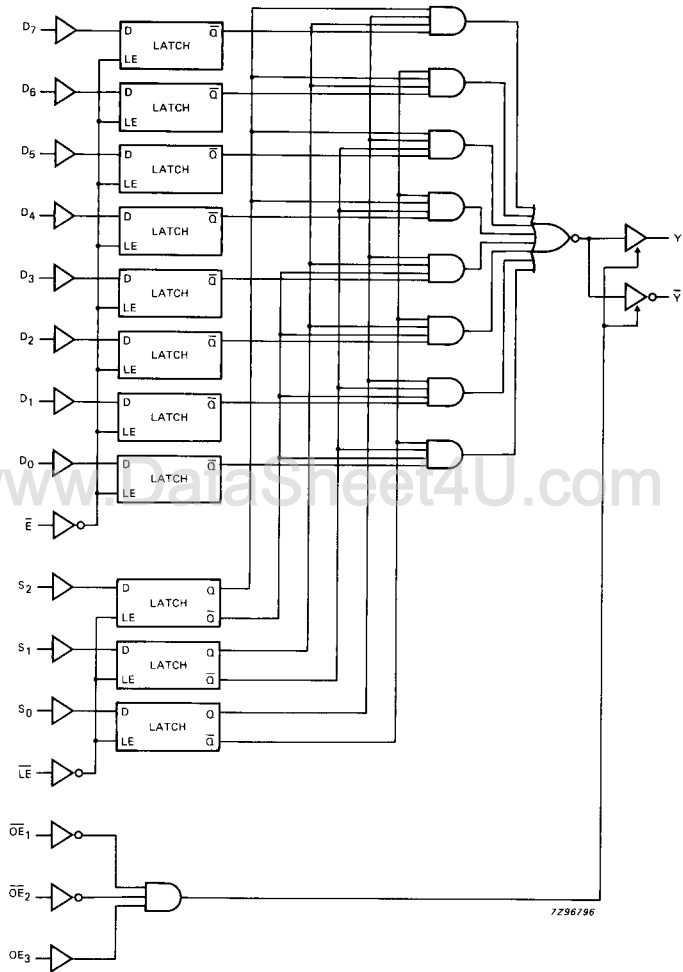


Fig. 5 Logic diagram.

## DC CHARACTERISTICS FOR 74HC

For the DC characteristics see chapter "HCMOS family characteristics", section "Family specifications".

Output capability: bus driver

I<sub>CC</sub> category: MSI

## AC CHARACTERISTICS FOR 74HC

GND = 0 V; t<sub>r</sub> = t<sub>f</sub> = 6 ns; C<sub>L</sub> = 50 pF

SYMBOL	PARAMETER	T <sub>amb</sub> (°C)						UNIT	TEST CONDITIONS		
		74HC							V <sub>CC</sub> V	WAVEFORMS	
		+25			-40 to +85		-40 to +125				
		min.	typ.	max.	min.	max.	min.				max.
t <sub>PHL</sub> / t <sub>PLH</sub>	propagation delay D <sub>n</sub> to Y, $\bar{Y}$		61 22 18	210 42 36		265 53 45		315 63 54	ns	2.0 4.5 6.0	Fig. 7
t <sub>PHL</sub> / t <sub>PLH</sub>	propagation delay $\bar{E}$ to Y, $\bar{Y}$		63 23 18	250 50 43		315 63 54		375 75 64	ns	2.0 4.5 6.0	Fig. 6
t <sub>PHL</sub> / t <sub>PLH</sub>	propagation delay S <sub>n</sub> to Y, $\bar{Y}$		77 28 22	260 52 44		325 65 55		390 78 66	ns	2.0 4.5 6.0	Fig. 8
t <sub>PHL</sub> / t <sub>PLH</sub>	propagation delay $\bar{L}\bar{E}$ to Y, $\bar{Y}$		77 28 22	290 58 49		365 73 62		435 87 74	ns	2.0 4.5 6.0	Fig. 9
t <sub>PZH</sub> / t <sub>PZL</sub>	3-state output enable time $\bar{O}E_n$ to Y, $\bar{Y}$		39 14 11	125 25 21		155 31 26		190 38 32	ns	2.0 4.5 6.0	Fig. 12
t <sub>PZH</sub> / t <sub>PZL</sub>	3-state output enable time OE <sub>3</sub> to Y, $\bar{Y}$		44 16 13	135 27 23		170 34 29		205 41 35	ns	2.0 4.5 6.0	Fig. 12
t <sub>PHZ</sub> / t <sub>PLZ</sub>	3-state output disable time $\bar{O}E_n$ to Y, $\bar{Y}$		50 18 14	155 31 26		195 39 33		235 47 40	ns	2.0 4.5 6.0	Fig. 12
t <sub>PHZ</sub> / t <sub>PLZ</sub>	3-state output disable time OE <sub>3</sub> to Y, $\bar{Y}$		55 20 16	155 31 26		195 39 33		235 47 40	ns	2.0 4.5 6.0	Fig. 12
t <sub>THL</sub> / t <sub>TLH</sub>	output transition time		14 5 4	60 12 10		75 15 13		90 18 15	ns	2.0 4.5 6.0	Figs 7, 8 and 9
t <sub>w</sub>	data enable pulse width $\bar{E}$ LOW	80 16 14	17 6 5		100 20 17		120 24 20		ns	2.0 4.5 6.0	Fig. 6
t <sub>w</sub>	latch enable pulse width $\bar{L}\bar{E}$ LOW	80 16 14	17 6 5		100 20 17		120 24 20		ns	2.0 4.5 6.0	Fig. 9
t <sub>su</sub>	set-up time D <sub>n</sub> to $\bar{E}$	50 10 9	11 4 3		65 13 11		75 15 13		ns	2.0 4.5 6.0	Fig. 10
t <sub>su</sub>	set-up time S <sub>n</sub> to $\bar{L}\bar{E}$	50 10 9	14 5 4		65 13 11		75 15 13		ns	2.0 4.5 6.0	Fig. 10

## AC CHARACTERISTICS FOR 74HCT

GND = 0 V;  $t_r = t_f = 6$  ns;  $C_L = 50$  pF

SYMBOL	PARAMETER	$T_{amb}$ (°C)						UNIT	TEST CONDITIONS		
		74HCT							$V_{CC}$ V	WAVEFORMS	
		+25			-40 to +85		-40 to +125				
		min.	typ.	max.	min.	max.	min.				max.
$t_{PHL}/$ $t_{PLH}$	propagation delay $D_n$ to $Y, \bar{Y}$		25	47		59		71	ns	4.5	Fig. 7
$t_{PHL}/$ $t_{PLH}$	propagation delay $\bar{E}$ to $Y, \bar{Y}$		26	54		68		81	ns	4.5	Fig. 6
$t_{PHL}/$ $t_{PLH}$	propagation delay $S_n$ to $Y, \bar{Y}$		30	59		74		89	ns	4.5	Fig. 8
$t_{PHL}/$ $t_{PLH}$	propagation delay $\bar{LE}$ to $Y, \bar{Y}$		31	63		79		95	ns	4.5	Fig. 9
$t_{PZH}/$ $t_{PZL}$	3-state output enable time $\bar{OE}_n$ to $Y, \bar{Y}$		18	34		43		51	ns	4.5	Fig. 12
$t_{PZH}/$ $t_{PZL}$	3-state output enable time $OE_3$ to $Y, \bar{Y}$		18	34		43		51	ns	4.5	Fig. 12
$t_{PHZ}/$ $t_{PLZ}$	3-state output disable time $\bar{OE}_n$ to $Y, \bar{Y}$		18	33		41		50	ns	4.5	Fig. 12
$t_{PHZ}/$ $t_{PLZ}$	3-state output disable time $OE_3$ to $Y, \bar{Y}$		21	39		49		59	ns	4.5	Fig. 12
$t_{THL}/$ $t_{TLH}$	output transition time		5	12		15		18	ns	4.5	Figs 7, 8 and 9
$t_W$	data enable pulse width $\bar{E}$ LOW	16	6		20		24		ns	4.5	Fig. 6
$t_W$	latch enable pulse width $\bar{LE}$ LOW	16	6		20		24		ns	4.5	Fig. 9
$t_{su}$	set-up time $D_n$ to $\bar{E}$	10	4		13		15		ns	4.5	Fig. 11
$t_{su}$	set-up time $S_n$ to $\bar{LE}$	10	5		13		15		ns	4.5	Fig. 10
$t_h$	hold time $D_n$ to $\bar{E}$	9	0		11		14		ns	4.5	Fig. 11
$t_h$	hold time $S_n$ to $\bar{LE}$	9	-3		11		14		ns	4.5	Fig. 10

74HC/HCT354

MSI

SYMBOL	PARAMETER	T <sub>amb</sub> (°C)						UNIT	TEST CONDITIONS		
		74HC							V <sub>CC</sub> V	WAVEFORMS	
		+25			-40 to +85		-40 to +125				
		min.	typ.	max.	min.	max.	min.		max.		
t <sub>h</sub>	hold time D <sub>n</sub> to $\bar{E}$	5	-6		5		5		ns	2.0	Fig. 11
		5	-2		5		5			4.5	
		5	-2		5		5			6.0	
t <sub>h</sub>	hold time S <sub>n</sub> to $\bar{LE}$	5	-8		5		5		ns	2.0	Fig. 10
		5	-3		5		5			4.5	
		5	-2		5		5			6.0	

**DC CHARACTERISTICS FOR 74HCT**

For the DC characteristics see chapter "HCMOS family characteristics", section "Family specifications".

Output capability: bus driver

I<sub>CC</sub> category: MSI

**Note to HCT types**

The value of additional quiescent supply current ( $\Delta I_{CC}$ ) for a unit load of 1 is given in the family specifications.

To determine  $\Delta I_{CC}$  per input, multiply this value by the unit load coefficient shown in the table below.

INPUT	UNIT LOAD COEFFICIENT
D <sub>n</sub> , S <sub>n</sub>	0.2
OE <sub>3</sub>	0.25
$\bar{LE}$	0.5
$\bar{E}$ , $\bar{OE}_n$	1.0

www.DataSheet4U.com

## AC WAVEFORMS (Cont'd)

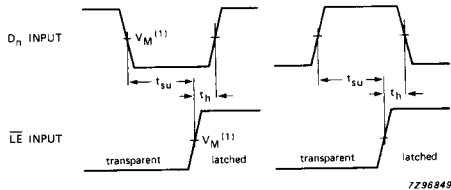


Fig. 10 Waveforms showing the set-up and hold times for the select input ( $S_n$ ) to the address latch enable input ( $\overline{LE}$ ).

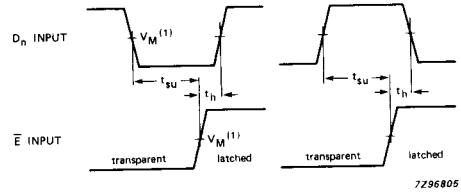


Fig. 11 Waveforms showing the set-up and hold times for the data input ( $D_n$ ) to the data enable input ( $\overline{E}$ ).

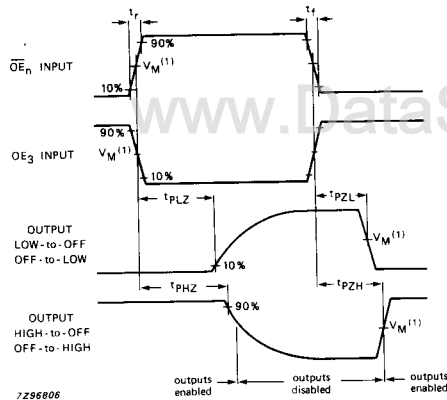


Fig. 12 Waveforms showing the 3-state enable and disable times.

## Note to AC waveforms

- (1) HC :  $V_M = 50\%$ ;  $V_I = \text{GND to } V_{CC}$ .  
HCT:  $V_M = 1.3 \text{ V}$ ;  $V_I = \text{GND to } 3 \text{ V}$ .