

BCD TO 7-SEGMENT LATCH/DECODER/DRIVER FOR LCDs

FEATURES

- Latch storage of BCD inputs
- Blanking inputs
- Output capability: non-standard
- I_{CC} category: MSI

GENERAL DESCRIPTION

The 74HC/HCT4543 are high-speed Si-gate CMOS devices and are pin compatible with "4543" of the "4000B" series. They are specified in compliance with JEDEC standard no. 7A.

The 74HC/HCT4543 are BCD to 7-segment latch/decoder/drivers for liquid crystal displays. They have four address inputs (D₀ to D₃), an active HIGH latch disable input (LD), an active HIGH blanking input (BI), an active HIGH phase input (PH) and seven buffered segment outputs (Q_a to Q_g).

The "4543" provides the function of a 4-bit storage latch and an 8-4-2-1 BCD to 7-segment decoder driver. The "4543" can invert the logic levels of the output combination. The phase (PH), blanking (BI) and latch disable (LD) inputs are used to reverse the function table phase, blank the display and store a BCD code, respectively.

For liquid crystal displays a square-wave is applied to PH and the electrical common back-plane of the display. The outputs of the "4543" are directly connected to the segments of the liquid crystal.

SYMBOL	PARAMETER	CONDITIONS	TYPICAL		UNIT
			HC	HCT	
t _{PHL} / t _{PLH}	propagation delay D _n to Q _n LD to Q _n BI to Q _n	C _L = 15 pF V _{CC} = 5 V	29 32 20	33 31 28	ns ns ns
C _I	input capacitance		3.5	3.5	pF
C _{PD}	power dissipation capacitance per package	notes 1 and 2	42	42	pF

GND = 0 V; T_{amb} = 25 °C; t_r = t_f = 6 ns

Notes

1. C_{PD} is used to determine the dynamic power dissipation (P_D in μW):

$$P_D = C_{PD} \times V_{CC}^2 \times f_i + \sum (C_L \times V_{CC}^2 \times f_o) \text{ where:}$$

f_i = input frequency in MHz

C_L = output load capacitance in pF

f_o = output frequency in MHz

V_{CC} = supply voltage in V

∑ (C_L × V_{CC}² × f_o) = sum of outputs

2. For HC the condition is V_I = GND to V_{CC}

For HCT the condition is V_I = GND to V_{CC} - 1.5 V

PACKAGE OUTLINES

16-lead DIL; plastic (SOT38Z).

16-lead mini-pack; plastic (SO16; SOT109A).

PIN DESCRIPTION

PIN NO.	SYMBOL	NAME AND FUNCTION
1	LD	latch disable input (active HIGH)
5, 3, 2, 4	D ₀ to D ₃	address (data) inputs
6	PH	phase input (active HIGH)
7	BI	blanking input (active HIGH)
8	GND	ground (0 V)
9, 10, 11, 12 13, 15, 14	Q _a to Q _g	segment outputs
16	V _{CC}	positive supply voltage

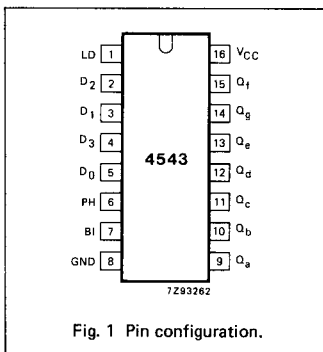


Fig. 1 Pin configuration.

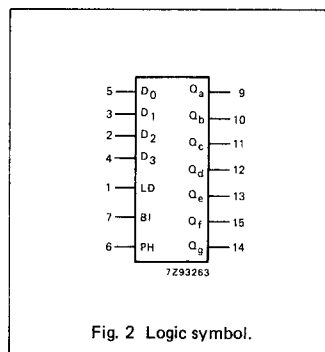


Fig. 2 Logic symbol.

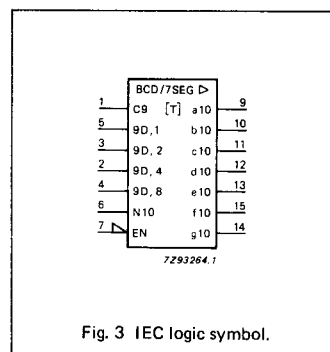


Fig. 3 IEC logic symbol.

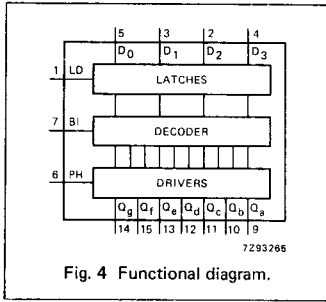


Fig. 4 Functional diagram.

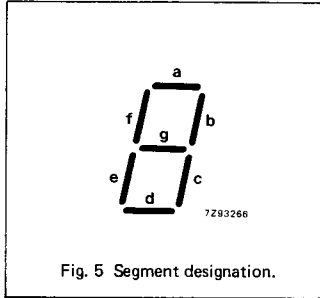


Fig. 5 Segment designation.

APPLICATIONS

- Driving LCD displays
- Driving fluorescent displays
- Driving incandescent displays
- Driving gas discharge displays

FUNCTION TABLE

INPUTS							OUTPUTS							DISPLAY
LD	BI	PH*	D ₃	D ₂	D ₁	D ₀	Q _a	Q _b	Q _c	Q _d	Q _e	Q _f	Q _g	
X	H	L	X	X	X	X	L	L	L	L	L	L	L	blank
H	L	L	L	L	L	L	H	H	H	H	H	L	L	0
H	L	L	L	L	L	H	L	H	H	L	L	L	L	1
H	L	L	L	L	H	L	H	H	L	H	H	L	H	2
H	L	L	L	L	H	H	H	H	H	H	L	L	H	3
H	L	L	L	H	L	L	L	H	H	L	L	H	H	4
H	L	L	L	H	H	L	L	L	H	H	L	H	H	5
H	L	L	L	H	H	L	H	L	H	H	H	H	H	6
H	L	L	L	H	H	H	H	H	H	L	L	L	L	7
H	L	L	H	L	L	L	H	H	H	H	H	H	H	8
H	L	L	L	L	L	L	H	H	H	L	L	H	H	9
H	L	L	H	L	H	L	L	L	L	L	L	L	L	blank
H	L	L	H	L	H	H	L	L	L	L	L	L	L	blank
H	L	L	H	H	L	L	L	L	L	L	L	L	L	blank
H	L	L	H	H	H	H	L	L	L	L	L	L	L	blank
L	L	L	X	X	X	X				**				**
as above	H		as above					inverse of above						as above

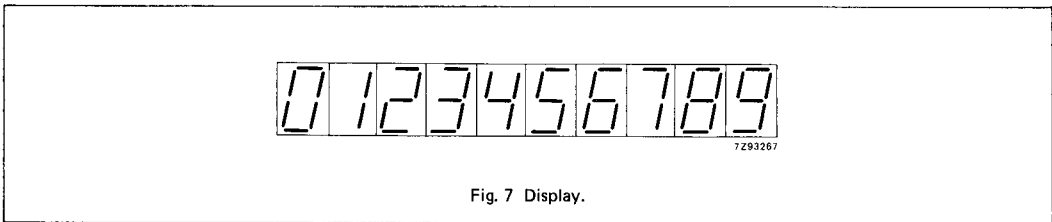
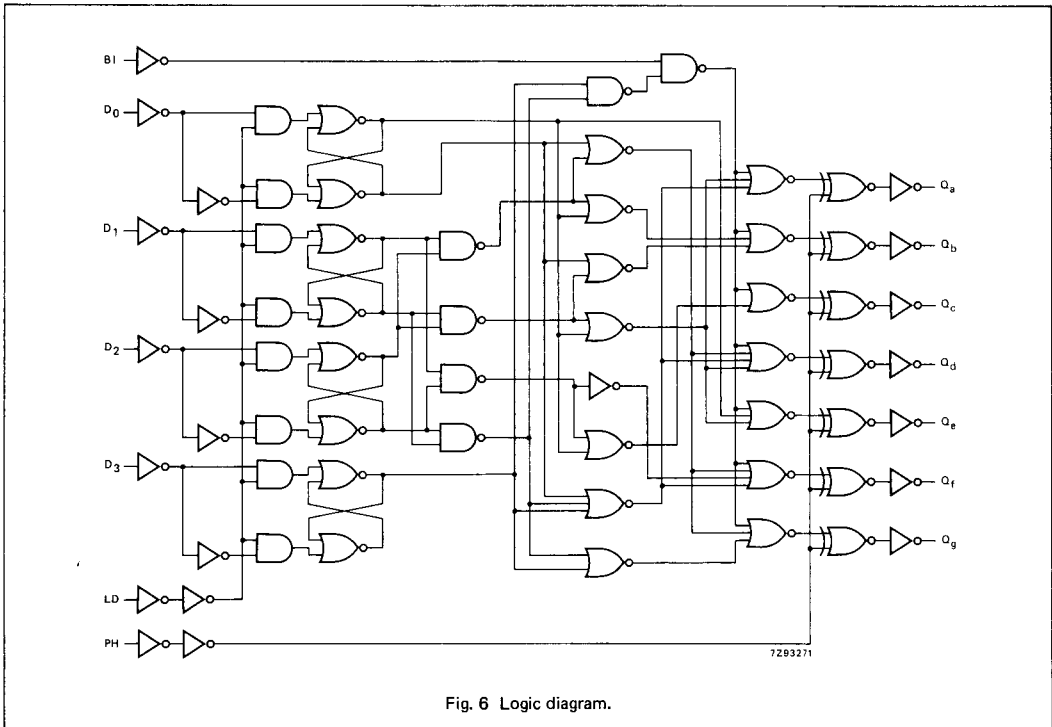
* For liquid crystal displays, apply a square-wave to PH.

** Depends upon the BCD-code previously applied when LD = HIGH.

H = HIGH voltage level

L = LOW voltage level

X = don't care



RATINGS

Limiting values in accordance with the Absolute Maximum System (IEC 134).
For RATINGS see chapter "HCMOS family characteristics", section "Family specifications", standard outputs.

DC CHARACTERISTICS FOR 74HC

Output capability: non-standard

 I_{CC} category: MSI

Voltages are referenced to GND (ground = 0 V)

SYMBOL	PARAMETER	T _{amb} (°C)						UNIT	TEST CONDITIONS			
		74HC							V _{CC} V	V _I	OTHER	
		+25			-40 to +85		-40 to +125					
		min.	typ.	max.	min.	max.	min.					max.
V _{IH}	HIGH level input voltage	1.5 3.15 4.2	1.2 2.4 3.1		1.5 3.15 4.2		1.5 3.15 4.2	V	2.0 4.5 6.0			
V _{IL}	LOW level input voltage		0.7 1.8 2.8	0.5 1.35 1.8		0.5 1.35 1.8		0.5 1.35 1.8	V	2.0 4.5 6.0		
V _{OH}	HIGH level output voltage	1.9 4.4 5.9	2.0 4.5 6.0		1.9 4.4 5.9		1.9 4.4 5.9	V	2.0 4.5 6.0	V _{IH} or V _{IL}	-I _O = 20 μA -I _O = 20 μA -I _O = 20 μA	
V _{OH}	HIGH level output voltage	3.98 5.48	0.15 0.16		3.84 5.34		3.7 5.2	V	4.5 6.0	V _{IH} or V _{IL}	-I _O = 1.0 mA -I _O = 1.3 mA	
V _{OL}	LOW level output voltage		0 0 0	0.1 0.1 0.1		0.1 0.1 0.1		0.1 0.1 0.1	V	2.0 4.5 6.0	V _{IH} or V _{IL}	I _O = 20 μA I _O = 20 μA I _O = 20 μA
V _{OL}	LOW level output voltage		0.15 0.16	0.26 0.26		0.33 0.33		0.4 0.4	V	4.5 6.0	V _{IH} or V _{IL}	I _O = 1.0 mA I _O = 1.3 mA
±I _I	input leakage current			0.1		1.0		1.0	μA	6.0	V _{CC} or GND	
I _{CC}	quiescent supply current			8.0		80.0		160.0	μA	6.0	V _{CC} or GND	I _O = 0

AC CHARACTERISTICS FOR 74HC

GND = 0 V; $t_r = t_f = 6$ ns; $C_L = 50$ pF

SYMBOL	PARAMETER	T_{amb} (°C)						UNIT	TEST CONDITIONS		
		74HC							V_{CC} V	WAVEFORMS	
		+25			-40 to +85		-40 to +125				
		min.	typ.	max.	min.	max.	min.				max.
t_{PHL}/t_{PLH}	propagation delay D_n to Q_n		91 33 26	340 68 58		425 85 72		510 102 87	ns	2.0 4.5 6.0	Fig. 12
t_{PHL}/t_{PLH}	propagation delay LD to Q_n		102 37 30	370 74 63		465 93 79		555 111 94	ns	2.0 4.5 6.0	Fig. 13
t_{PHL}/t_{PLH}	propagation delay BI to Q_n		66 24 19	265 53 45		330 66 56		400 80 68	ns	2.0 4.5 6.0	Fig. 14
t_{PHL}/t_{PLH}	propagation delay PH to Q_n		55 20 16	200 40 34		250 50 43		300 60 51	ns	2.0 4.5 6.0	
t_{THL}/t_{TLH}	output transition time		63 23 18	250 50 43		315 63 54		375 75 64	ns	2.0 4.5 6.0	Figs 12, 13 and 14
t_W	LD pulse width HIGH or LOW	35 7 6	11 4 3		45 9 8		55 11 9		ns	2.0 4.5 6.0	Fig. 13
t_{su}	set-up time D_n to LD	60 12 10	8 3 2		75 15 13		90 18 15		ns	2.0 4.5 6.0	Fig. 15
t_h	hold time D_n to LD	30 6 5	3 1 1		40 8 7		45 9 8		ns	2.0 4.5 6.0	Fig. 15

DC CHARACTERISTICS FOR 74HCT

Output capability: non-standard

I_{CC} category: MSI

Voltages are referenced to GND (ground = 0 V)

SYMBOL	PARAMETER	T _{amb} (°C)						UNIT	TEST CONDITIONS			
		74HCT							V _{CC} V	V _I	OTHER	
		+25			-40 to +85		-40 to +125					
		min.	typ.	max.	min.	max.	min.		max.			
V _{IH}	HIGH level input voltage	2.0	1.6		2.0		2.0		V	4.5 to 5.5		
V _{IL}	LOW level input voltage		1.2	0.8		0.8		0.8	V	4.5 to 5.5		
V _{OH}	HIGH level output voltage	4.4	4.5		4.4		4.4		V	4.5	V _{IH} or V _{IL}	-I _O = 20 μA
V _{OH}	HIGH level output voltage	3.98	4.32		3.84		3.7		V	4.5	V _{IH} or V _{IL}	-I _O = 1.0 mA
V _{OL}	LOW level output voltage		0	0.1		0.1		0.1	V	4.5	V _{IH} or V _{IL}	I _O = 20 μA
V _{OL}	LOW level output voltage		0.15	0.26		0.33		0.4	V	4.5	V _{IH} or V _{IL}	I _O = 1.0 mA
±I _I	input leakage current			0.1		1.0		1.0	μA	5.5	V _{CC} or GND	
I _{CC}	quiescent supply current			8.0		80.0		160.0	μA	5.5	V _{CC} or GND	I _O = 0
ΔI _{CC}	additional quiescent supply current per input pin for unit load coefficient is 1 (note 1)		100	360		450		490	μA	4.5 to 5.5	V _{CC} -2.1 V	other inputs at V _{CC} or GND; I _O = 0

Note to HCT types

The value of additional quiescent supply current (ΔI_{CC}) for a unit load of 1 is given here.To determine ΔI_{CC} per input, multiply this value by the unit load coefficient shown in the table below.

INPUT	UNIT LOAD COEFFICIENT
D ₀ , D ₁ , D ₂	1.00
D ₃	0.50
B _I	0.50
LD	1.50
PH	1.25

AC CHARACTERISTICS FOR 74HCT

GND = 0 V; $t_r = t_f = 6$ ns; $C_L = 50$ pF

SYMBOL	PARAMETER	T _{amb} (°C)						UNIT	TEST CONDITIONS		
		74HCT							V _{CC} V	WAVEFORMS	
		+25			-40 to +85		-40 to +125				
		min.	typ.	max.	min.	max.	min.				max.
t _{PHL} / t _{PLH}	propagation delay D _n to Q _n		38	80		100		120	ns	4.5	Fig. 12
t _{PHL} / t _{PLH}	propagation delay LD to Q _n		36	68		85		102	ns	4.5	Fig. 13
t _{PHL} / t _{PLH}	propagation delay BI to Q _n		32	66		83		99	ns	4.5	Fig. 14
t _{PHL} / t _{PLH}	propagation delay PH to Q _n		24	66		83		99	ns	4.5	
t _{THL} / t _{TLH}	output transition time		23	50		63		75	ns	4.5	Figs 12, 13 and 14
t _w	LD pulse width HIGH or LOW	10	4		13		15		ns	4.5	Fig. 13
t _{su}	set-up time D _n to LD	12	4		15		18		ns	4.5	Fig. 15
t _h	hold time D _n to LD	8	2		10		12		ns	4.5	Fig. 15

APPLICATION DIAGRAMS

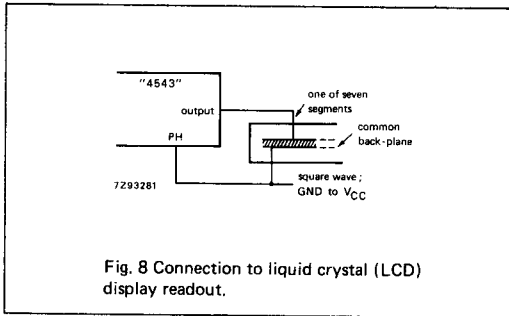


Fig. 8 Connection to liquid crystal (LCD) display readout.

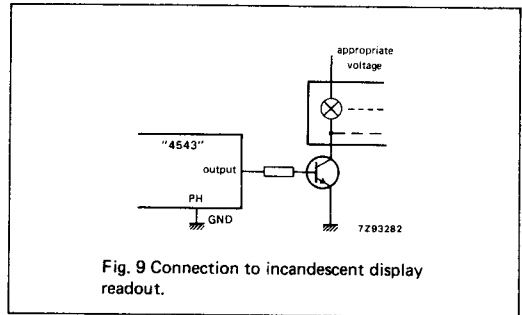


Fig. 9 Connection to incandescent display readout.

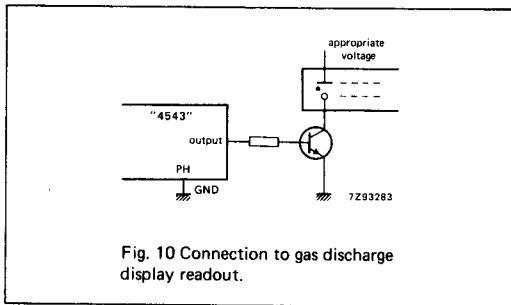


Fig. 10 Connection to gas discharge display readout.

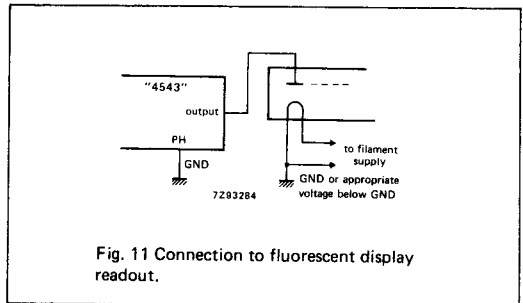


Fig. 11 Connection to fluorescent display readout.

AC WAVEFORMS

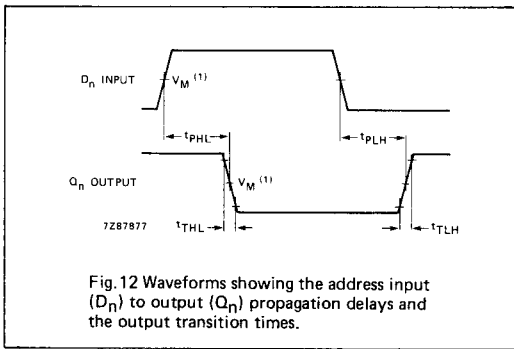


Fig. 12 Waveforms showing the address input (D_n) to output (Q_n) propagation delays and the output transition times.

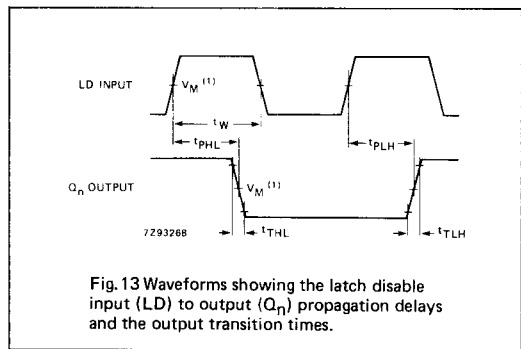


Fig. 13 Waveforms showing the latch disable input (LD) to output (Q_n) propagation delays and the output transition times.

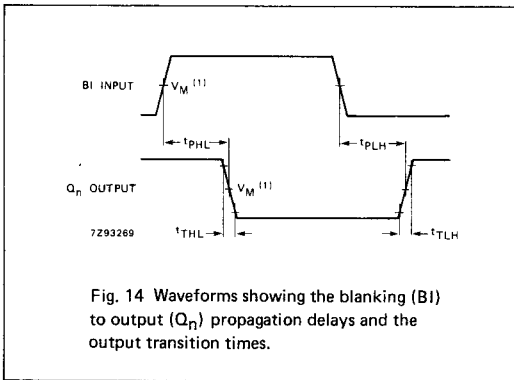


Fig. 14 Waveforms showing the blanking (BI) to output (Q_n) propagation delays and the output transition times.

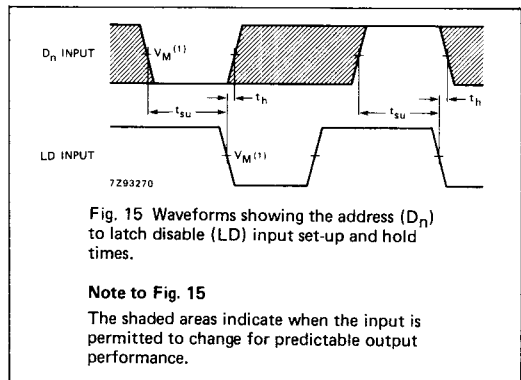


Fig. 15 Waveforms showing the address (D_n) to latch disable (LD) input set-up and hold times.

Note to Fig. 15

The shaded areas indicate when the input is permitted to change for predictable output performance.

Note to AC waveforms

- (1) HC : $V_M = 50\%$; $V_L = \text{GND to } V_{CC}$.
- HCT: $V_M = 1.3 \text{ V}$; $V_L = \text{GND to } 3 \text{ V}$.