

# DATA SHEET

**PCF7941ATJ**

**PCF7341ATJ**

Security Transponder and RISC Controller  
(STARC 2XLite)

Product Specification

2013 Oct 15

CONFIDENTIAL



## Security Transponder and RISC Controller (STARC 2XLite)

PCF7x41ATJ

**CONTENT**

1	FEATURES .....	3
2	GENERAL DESCRIPTION .....	3
3	ORDERING INFORMATION .....	4
4	TYPICAL APPLICATION .....	4
5	BLOCK DIAGRAM.....	5
6	QUICK REFERENCE DATA.....	6
6.1	Transponder Operation.....	6
6.2	RISC Controller and Peripherals.....	6
7	PINNING .....	7
8	FUNCTIONAL DESCRIPTION .....	9
8.1	LF Field Power On Reset.....	9
9	EEPROM CONTENT AT DELIVERY .....	10
10	LIMITING VALUES.....	11
11	DEVICE CHARACTERISTICS .....	12
11.1	Electrical Characteristics .....	12
11.2	Timing Characteristics.....	13
11.3	Mechanical Characteristics.....	14
12	TEST SETUP .....	15
13	RELATED DOCUMENTS .....	16
14	DEVELOPMENT TOOLS .....	16
15	REVISION HISTORY .....	16
16	LEGAL INFORMATION.....	17
16.1	Data sheet status .....	17
16.2	Definitions.....	17
16.3	Disclaimers.....	17
17	Contact information .....	18

# Security Transponder and RISC Controller (STARC 2XLite)

# PCF7x41ATJ

## 1 FEATURES

- Single chip Security Transponder and Remote Keyless Entry solution
- RISC programmable device features
- Up to seven Keyless Entry command buttons
- 512 Byte EEPROM for extended data storage
- 32 bit unique device and product type identification
- Package integrated Transponder LF coil

### Security Transponder

- Transponder operation like PCF7936 family
- Fast mutual authentication, 39ms (48 bit Secret Key)
- EEPROM read/write protection capability
- RISC programmable transponder extensions

### Calculation Unit

- Hardwired security algorithm
- 48 (96) bit Secret Key

### RISC Controller and Peripherals

- 8 Bit RISC Architecture (MRK II)
- 4 kByte E-ROM respectively ROM (application)
- 4 kByte ROM (device firmware and library functions)
- 128 Byte User RAM
- 11 general purpose I/O (incl. 7 command button inputs)
- Two 8 Bit Timer/Counter
- Optional external clock input for Timer/Counter
- Watchdog
- Single level interrupt architecture
- On-chip RC Oscillator (<math>\pm 8\%</math>)
- Short instruction execution time (as fast as 0.5  $\mu\text{s}$ )
- Programmable battery low detection
- Low power consumption  
RUN: 300  $\mu\text{A}$ , IDLE: 20 $\mu\text{A}$ , PD: 100 nA
- Single Lithium cell operation, 2.1V to 3.6V

## 2 GENERAL DESCRIPTION

The PCF7x41ATJ is a high performance single chip Security Transponder and RISC Controller, ideally suited for automotive applications with combined vehicle Immobilization and Remote Keyless Entry functions.

Unless other products, the device comes with a package integrated Transponder LF coil to operate as Security Transponder and enable contactless communication with the base station. Neither other external components nor an additional battery supply is needed. The basic transponder operation is emulated utilizing the on-chip RISC and may

feature a customized functions or may utilize the built in Transponder Library, that offer HT2 functional compatible operation (e.g. PCF7936), except for the ReadOnly mode.

The Security Transponder operation features secure contactless authentication, employing a Secret Key and a random number in order to cipher any communication between the device and the base station. The device features a factory programmed unique serial number that also serves as product type identification.

Device operation is controlled by a ROM or E-ROM (FLASH like features) based RISC Controller, powered by NXP' low power 8-Bit MICRO RISC KERNEL (MRK II). 11 general purpose I/Os are provided for command buttons, LED, or control of an external RF transmitter/transceiver circuitry.

In case of Remote Keyless Entry applications, the application program may accomplish rolling code generation using the hardwired Calculation Unit. The Calculation Unit may operate in standard HITAG2 (48 bit Shift Register) or Enhanced mode (64 bit Shift Register).

The RISC employs a 2 stage pipeline architecture in order to execute an instruction in a single clock cycle. Device timing is derived from an on-chip low tolerance RC Oscillator that provides a programmable system clock, with a frequency up to 2 MHz. The system clock may also be derived from the transponder interface, e.g. LF field clock.

Depending on the operation mode, the RISC is powered from the external battery or derives its power supply by inductive coupling to the LF field generated by the base station.

The PCF7x41ATJ incorporates an advanced power management that supports battery voltage measurement. For increased battery lifetime the device quiescent current is minimized in POWER-OFF state by disconnecting the battery from most of the internal circuitry.

The device comes in a 36 pin Leaded Stick Package (LSP). The device is available as E-ROM (FLASH like features) and ROM coded product. In case of the E-ROM version, in-circuit program download and debugging is supported.

For further detailed descriptions about features, functional blocks and known anomalies not related to the integrated Transponder functionality, please refer to datasheet PCF7x41A compiled for the SSOP and TSSOP package.

Security Transponder and RISC Controller (STARC 2XLite)

PCF7x41ATJ

3 ORDERING INFORMATION

EXTENDED TYPE NUMBER	PACKAGE			TEMPERATURE RANGE (°C)
	NAME	DESCRIPTION	OUTLINE VERSION	
PCF7941ATJ/CA1B00E0	SOJ36	Leaded Stick Package	SOT867-1	-40°C to +85°C
PCF7941ATJ/CA1Brrff	SOJ36	Leaded Stick Package	SOT867-1	-40°C to +85°C
PCF7341ATJ/C0ABrrff	SOJ36	Leaded Stick Package	SOT867-1	-40°C to +85°C

Note

1. PCF7941ATJ/CA1B00E0 represents the E-ROM product for development and applications with low quantities. The customer shall perform E-ROM programming and EEPROM initialization. The Monitor and Download Interface (MSDA/MSCL) supports E-ROM download and ERASE/WRITE as fast as 700ms for 4 kByte.
2. PCF7941ATJ/CA1Brrff represents a customized E-ROM product. Under certain conditions NXP Semiconductors may perform E-ROM programming with a customer application code and/or customer EEPROM pattern. The actual customer application code and customer EEPROM fabkey is specified by a 2 digit code at location marked "ff". The ROM code is specified by a 2 digit code at location marked „rr“
2. PCF7341ATJ/C0ABrrff represents the ROM coded product for high volume applications. The actual customer ROM code and customer EEPROM fabkey is specified by a 2 digit code at location marked „rr“, respectively “ff”

4 TYPICAL APPLICATION

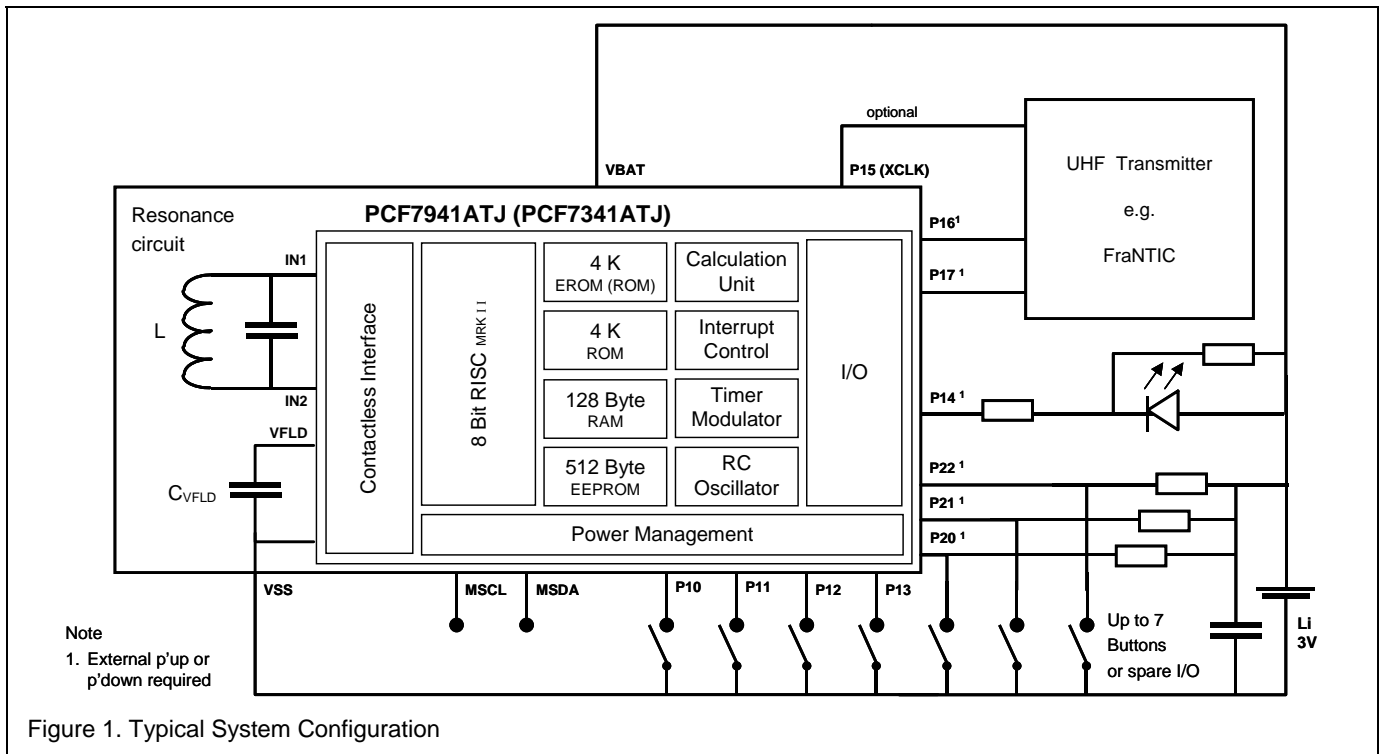


Figure 1. Typical System Configuration

# Security Transponder and RISC Controller (STARC 2XLite)

# PCF7x41ATJ

## 5 BLOCK DIAGRAM

The PCF7x41ATJ features a high degree of integration and incorporates the chip, coil and capacitors assembled in a leaded stick package, see Figure 2.

### Package

- L/C Resonance Circuit
- Rectified LF Filed supply blocking capacitor

### Contactless Interface

- Rectifier and Voltage Limiter
- Modulator
- Clock Recovery
- Demodulator
- LF Field Detection

### Calculation Unit

- HT2 (48 bit) and HT3 (96 bit) Algorithm

### Power Management

- Supply Switch Logic
- Wake Up Sense (Button I/O)
- Watchdog Timer
- Reset Logic

### RISC Controller and Peripherals

- 8 Bit RISC (MRK II)
- ROM (Firmware)
- E-ROM (Application program)
- RAM
- EEPROM
- Interrupt Control
- Timers / Counters
- I/O Ports
- Programmable Voltage Comparator
- System Clock (including on-chip RC oscillator)

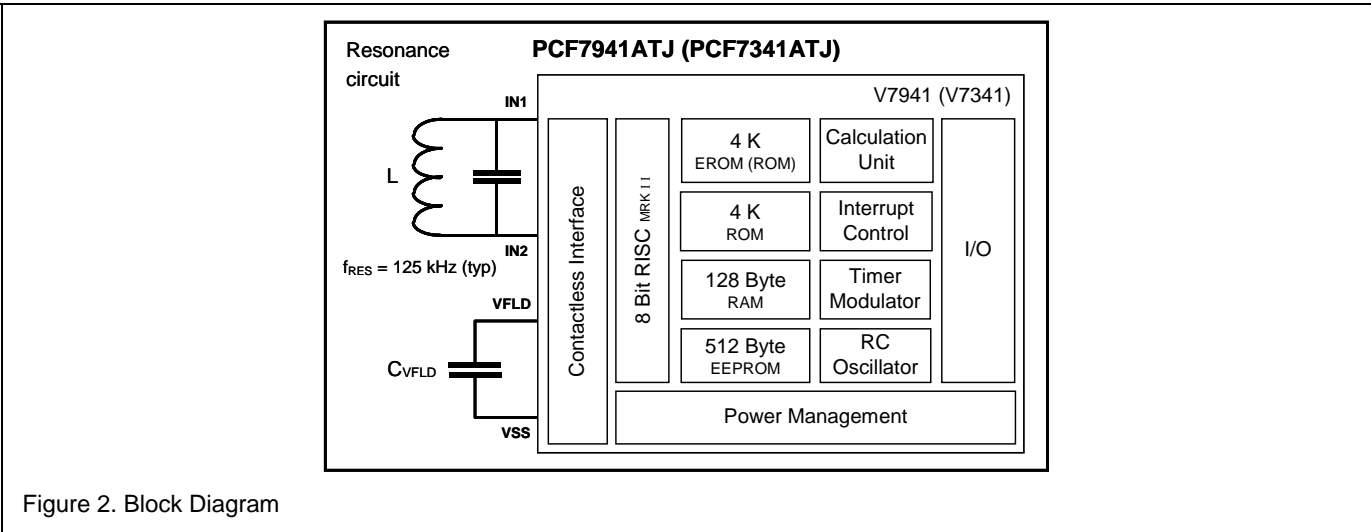


Figure 2. Block Diagram

## Security Transponder and RISC Controller (STARC 2XLite)

PCF7x41ATJ

**6 QUICK REFERENCE DATA****6.1 Transponder Operation**

PARAMETER	VALUE	UNIT
Carrier frequency	125	kHz
Data rate		
- read	4.0	kbit/s
- write	5.2	kbit/s
Data coding		
- read	Manchester or Bi-Phase	
- write	Binary Pulse Length Modulation (BPLM)	
Data transmission mode	Half-Duplex	
Modulation	Amplitude Shift Keying (ASK)	

**6.2 RISC Controller and Peripherals**

PARAMETER	VALUE	UNIT
Operating supply voltage (RISC)	2.1 - 3.6	V
Power-down current (typical)	400	nA
ROM (Firmware – System ROM)	4 K	Byte
E-ROM (Application program)	4 K	Byte
RAM	128	Byte
EEPROM	512	Byte
General purpose I/O	11	
Operating speed, as derived from on-chip RC oscillator	0.125 - 2	MHz
Special Features	<ul style="list-style-type: none"> <li>• EEPROM Erase/Write over full operating voltage range (2.1 to 3.6 V)</li> <li>• Full control about Contactless LF Interface</li> <li>• Programmable voltage comparator for battery voltage monitoring</li> <li>• PWM generation</li> <li>• Watchdog timer</li> <li>• Up to 7 dedicated Wake-Up button inputs</li> </ul>	
Calculation Unit	<ul style="list-style-type: none"> <li>• Features HT2 (48 bit) or HT3 (96 bit)</li> <li>• Supports Pseudo Random Number generation (Rolling Code)</li> </ul>	

## Security Transponder and RISC Controller (STARC 2XLite)

## PCF7x41ATJ

## 7 PINNING

Table 1. Pin Assignment

FUNCTION	DESCRIPTION	PIN	NOTE
i.c. A	Internally connected (node reference A)	1	2
i.c. A	Internally connected (node reference A)	2	2
i.c. A	Internally connected (node reference A)	3	2
VSS	Common Ground digital section (Battery neg. Terminal)	4	
n.c.	Not connected	5	1
n.c.	Not connected	6	1
n.c.	Not connected	7	1
P20	General purpose I/O, Wake Up sense and Digital modulator output	8	
P16	General purpose I/O, voltage comparator input	9	
P17	General purpose I/O, Digital modulator output	10	
P15	General purpose I/O and external clock input	11	
P10	General purpose I/O with internal pull-up, Wake Up sense	12	
P21	General purpose I/O, Wake Up sense and Timer 1 Capture input / Interrupt input	13	
n.c.	Not connected	14	
i.c. B	Internally connected (node reference B)	15	3
n.c.	Not connected	16	
MSDA	ROM Monitor Serial Data with internal pull-up	17	4
i.c. C	Internally connected (node reference C)	18	2
i.c. C	Internally connected (node reference C)	19	2
MSCL	ROM Monitor Serial Clock Output	20	
n.c.	Not connected	21	
n.c.	Not connected	22	
P22	General purpose I/O, Wake Up sense and Timer 1 Compare output (PWM)	23	
P11	General purpose I/O with internal pull-up and Wake Up sense	24	
P12	General purpose I/O with internal pull-up and Wake Up sense	25	
P13	General purpose I/O with internal pull-up and Wake Up sense	26	
TEST	Reserved	27	1
TEST	Reserved	28	1
TEST	Reserved	29	1
VBAT	Battery Supply Voltage digital section (Battery pos. Terminal)	30	
P14	General purpose I/O	31	
i.c. B	Internally connected (node reference B)	32	3
i.c. F	Internally connected (node reference F)	33	2
i.c. F	Internally connected (node reference F)	34	2
i.c. E	Internally connected (node reference E)	35	2
i.c. E	Internally connected (node reference E)	36	2

## Note

1. Reserved for device test purposes. Required to be left unconnected or connected to VSS
2. Internally connected to another pin and not connected to the chip.
3. Internally connected to another pin and not connected to the chip, but connected to the chip die attach.
4. MSCL is an output and must be left unconnected in the application. MSDA features an on-chip pull-up to VBAT, and may be left open or terminated to VBAT, as desired. For details please refer to the 'PCF7941 Monitor and Download Interface' (see 13 RELATED DOCUMENTS).

Security Transponder and RISC Controller (STARC 2XLite)

PCF7x41ATJ

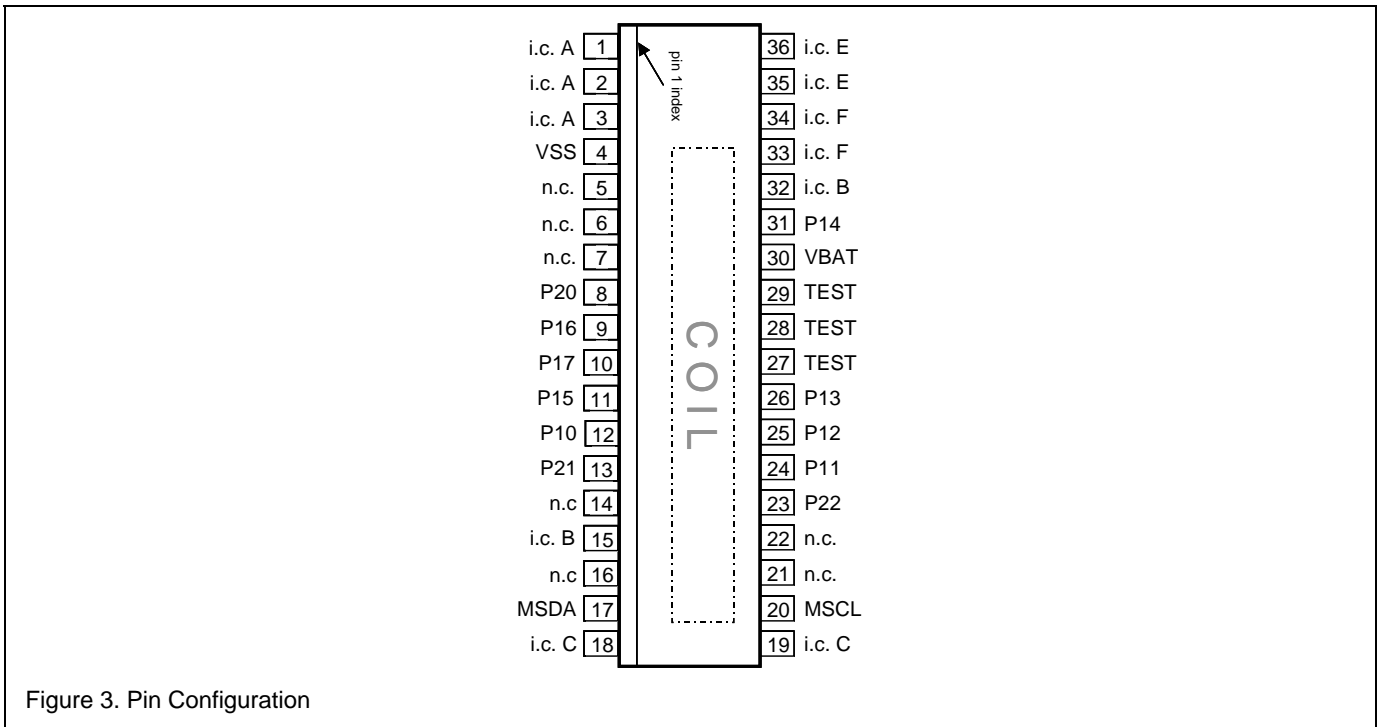


Figure 3. Pin Configuration



**8 FUNCTIONAL DESCRIPTION**

The PCF7x41ATJ incorporates Security Transponder and Remote Keyless Entry features that are specified in detail by the data sheet PCF7x41 and the corresponding ROM Library Description; see section 13.

**8.1 LF Field Power On Reset**

When the transponder enters a LF Field a rectifier circuitry becomes operational and the rectified voltage develops. The LF Field has to be present for at least 2ms ( $t_{FLD,HLD}$ ) before this supply voltage is passed on to become the transponder supply voltage ( $V_{DDC}$ ). As soon as the supply voltage ( $V_{DDC}$ ) exceeds the LF Field Power-On Reset threshold voltage ( $V_{POR,FLD}$ ) the device performs a chip reset and starts its initialization sequence by executing its boot routine, see Figure 4.

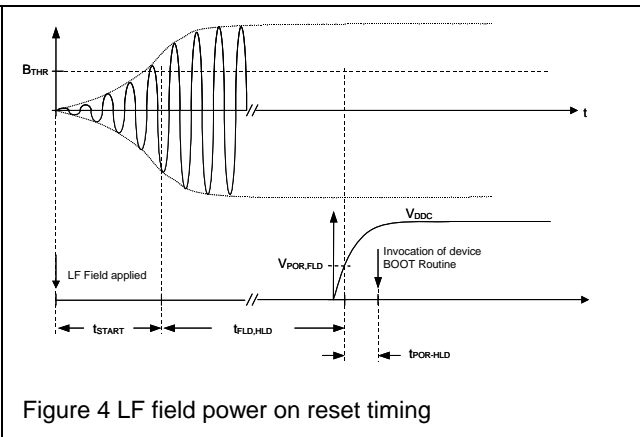


Figure 4 LF field power on reset timing

Subsequently, the transponder is muted and does not respond to any command until termination of the device boot sequence. The startup time,  $t_{START}$ , depends on the base station configuration, the resonance circuit properties and the system coupling factor, however, is small compared with the LF Field hold time ( $t_{FLD,HLD}$ ).

Regardless of the supply condition, once the supply voltage ( $V_{DD}$ ) exceeds the Power On Reset threshold voltage ( $V_{POR,BAT}$  respectively  $V_{POR,FLD}$ ), POR becomes low. After a short delay ( $T_{POR,HLD}$ ), the flip-flop is forced into latch state freezing the supply switch state and the RISC Controller becomes operational. Program execution commences starting with the BOOT Routine, before the application Program or Transponder Emulation is being invoked, see Figure 5

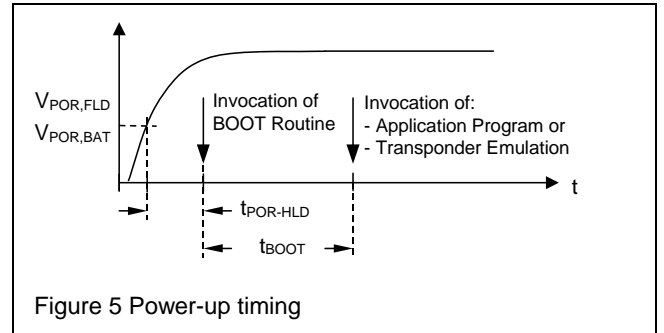


Figure 5 Power-up timing

In order to force a LF Field Power-On Reset and proper device initialization at any time, the LF field OFF condition must be applied for at least  $t_{RESET,SETUP}$ , in order to ensure that the INTERNAL device supply voltage,  $V_{DDC}$ , drops below the threshold voltage ( $V_{POR,FLD}$ ), see Figure 6.

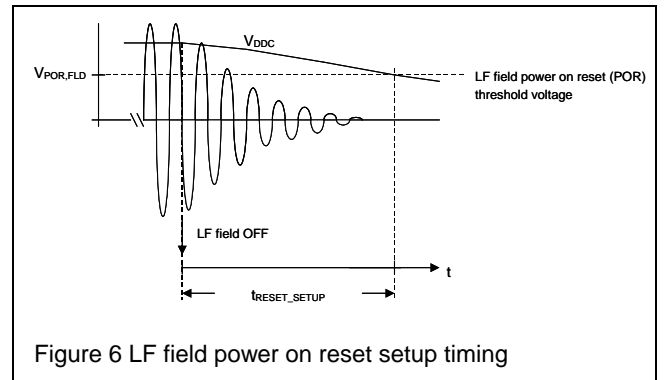


Figure 6 LF field power on reset setup timing

# Security Transponder and RISC Controller (STARC 2XLite)

# PCF7x41ATJ

## 9 EEPROM CONTENT AT DELIVERY

The PCF7x41ATJ EEPROM content is initialized during device manufacturing, according to Table 2.

However the EEPROM content may be modified as desired by the application, except for the page 0 block 0 which holds the Identifier (IDE) and serves the function of a serial number and product type ID.

for the PCF7x41ATJ. For system compatibility reasons, the same product type Identifier is used by PCF7x21 (KEECOR).

2. Locations marked 'X' are undefined and may hold any pattern.

Consequently, the device is configured for PCF7936 (HITAG2) transponder emulation and set to INIT mode, providing full support regarding the Monitor and Download Interface.

Table 2. EEPROM Content Upon Delivery

Content [HEX]	Page	Note
XX XX XX 6X	0	1
4D 49 4B 52	1	
00 00 4F 4E	2	
00 AA 48 54	3	
XX XX XX XX	4 to 126	
X6 XX 80 00	127	

MSB

LSB

### Note

1. Bit 7 to 4 of this page (Identifier) serve the function of a product type (application) identifier and are set to '0110'

## Security Transponder and RISC Controller (STARC 2XLite)

## PCF7x41ATJ

**10 LIMITING VALUES**

All values are in accordance with Absolute Maximum Rating System (IEC 134)

PARAMETER	MIN	MAX	UNIT
Operating temperature range	-40	+85	°C
Storage temperature range	-55	+125	°C
Reflow soldering peak temperature, Note 2		232,5	°C
Package Moisture Sensitivity Level (MSL)		3	
Magnetic flux density (resistance against magnetic pulses)		0.2	T
Latch-up current, Note 3	100		mA
ESD, human body model, Note 4	2		kV
ESD, human body model for pins VBAT and VSS, Note 4	4		kV
ESD, machine model, Note 5	250		V
ESD CDM, Field Induced Model for corner pins, Note 6	750		V
ESD CDM, Field Induced Model for all pins besides corner pins, Note 6	650		V
Vibration - 10 - 2000Hz - 3.axis - IEC 68-2-6, Test Fc		10	g
Shock - 3.axis - IEC 68-2-27, Test Ea		1500	g
Mechanical stress ( $F_{MAX}$ ), Note 1		10	N

**Note**

1.  $F_{MAX}$  is specified as indicated in Test Setup, section 12.
2. Reflow stress levels in accordance with JEDEC 22 A113D, excluding limitation of peak temperature.
3. According to JEDEC, JESD 17.
4. According to JEDEC, JESD 22-A114.
5. According to JEDEC, JESD 22-A115.
6. According to JEDEC, JESD 22-C101.

Security Transponder and RISC Controller (STARC 2XLite)

PCF7x41ATJ

11 DEVICE CHARACTERISTICS

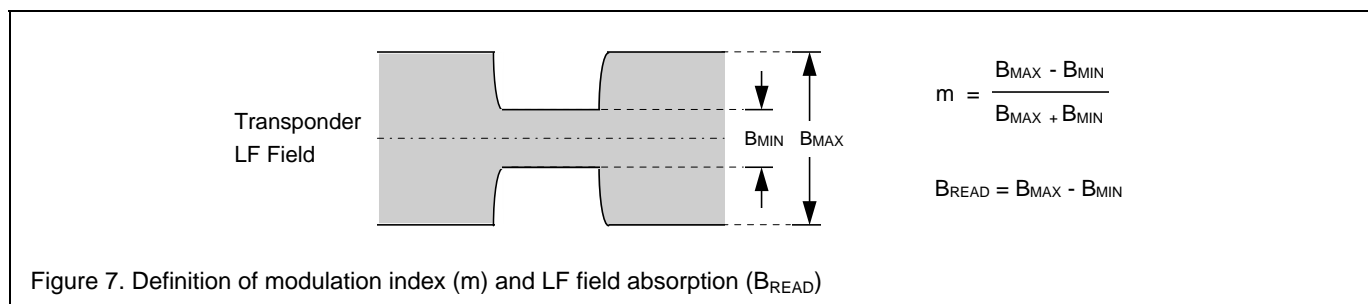
11.1 Electrical Characteristics

Tamb = -40 to +85°C, fSYS = 125kHz, T<sub>O</sub> = 1/fSYS. Unless otherwise specified

SYMBOL	PARAMETER	CONDITION	MIN	TYP	MAX	UNIT
<b>Operating Conditions</b>						
C <sub>VFLD</sub>	Supply blocking capacitor			22		nF
L	Transponder coil inductance			4.8		mH
f <sub>RES</sub>	Resonance frequency		119		131	kHz
BW	Bandwidth		2.3			kHz
B <sub>THR</sub>	Magnetic flux density, Read direction		60		400	μT <sub>PP</sub>
B <sub>PRG</sub>	Magnetic flux density for EEPROM programming	m = 0,95, T <sub>WRP</sub> = 8 T <sub>O</sub> Note 1	60		400	μT <sub>PP</sub>
B <sub>AUT</sub>	Magnetic flux density for device authentication	m = 0,95, T <sub>WRP</sub> = 8 T <sub>O</sub> Note 1	60		400	μT <sub>PP</sub>
B <sub>READ</sub>	LF field absorption in read direction, Note 1	B <sub>FIELD</sub> = 60 μT <sub>PP</sub>	4.5			μT <sub>PP</sub>
MI <sub>PRG</sub>	Minimum modulation index (m) Write direction (device programming and authentication).	B <sub>FIELD</sub> = 60 μT <sub>PP</sub> , T <sub>WRP</sub> = 8 T <sub>O</sub> Note 1			95	%

Note

1. Modulation index (m) and LF Field absorption (B<sub>READ</sub>) are defined according to Figure 7.
2. Parameters are measured with the Scemtech test equipment STM-1 in a Helmholtz arrangement according to section 12.
3. Typical temperature dependency of bandwidth BW shown in Figure 8.



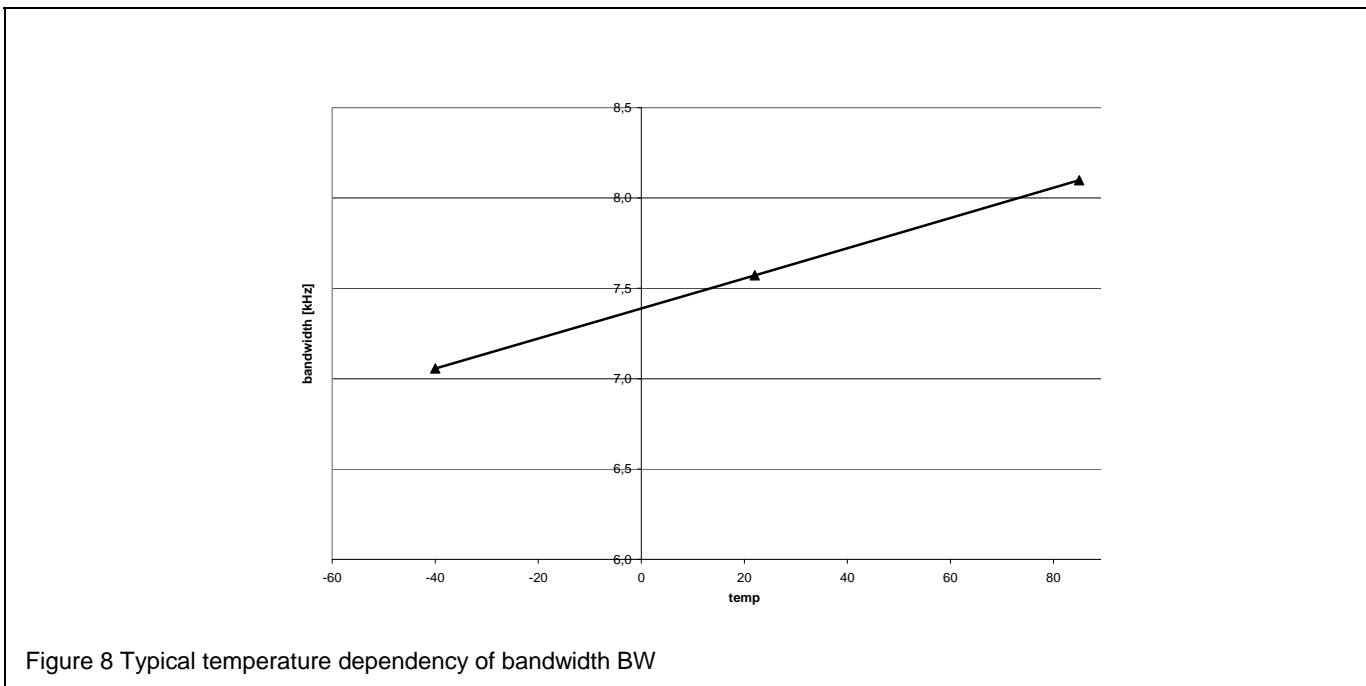


Figure 8 Typical temperature dependency of bandwidth BW

**11.2 Timing Characteristics**

Tamb = -40 to +85°C, fSYS = 125kHz, T<sub>O</sub> = 1/fSYS. Unless otherwise specified

SYMBOL	PARAMETER	CONDITION	MIN	TYP	MAX	UNIT
<b>LF Field Power On Reset, Note 1</b>						
t <sub>F<sub>LD</sub>,HLD</sub>	LF Field hold time		250			T <sub>O</sub>
t <sub>POR-HLD</sub>	Power On Reset Hold time			200	480	μs
t <sub>RESET,SETUP</sub>	LF Field Power On Reset setup time		11			ms

Notes

1. Values based on PCF7x41A PQP with additional safety margin considering application of LSP resonance circuit.

11.3 Mechanical Characteristics

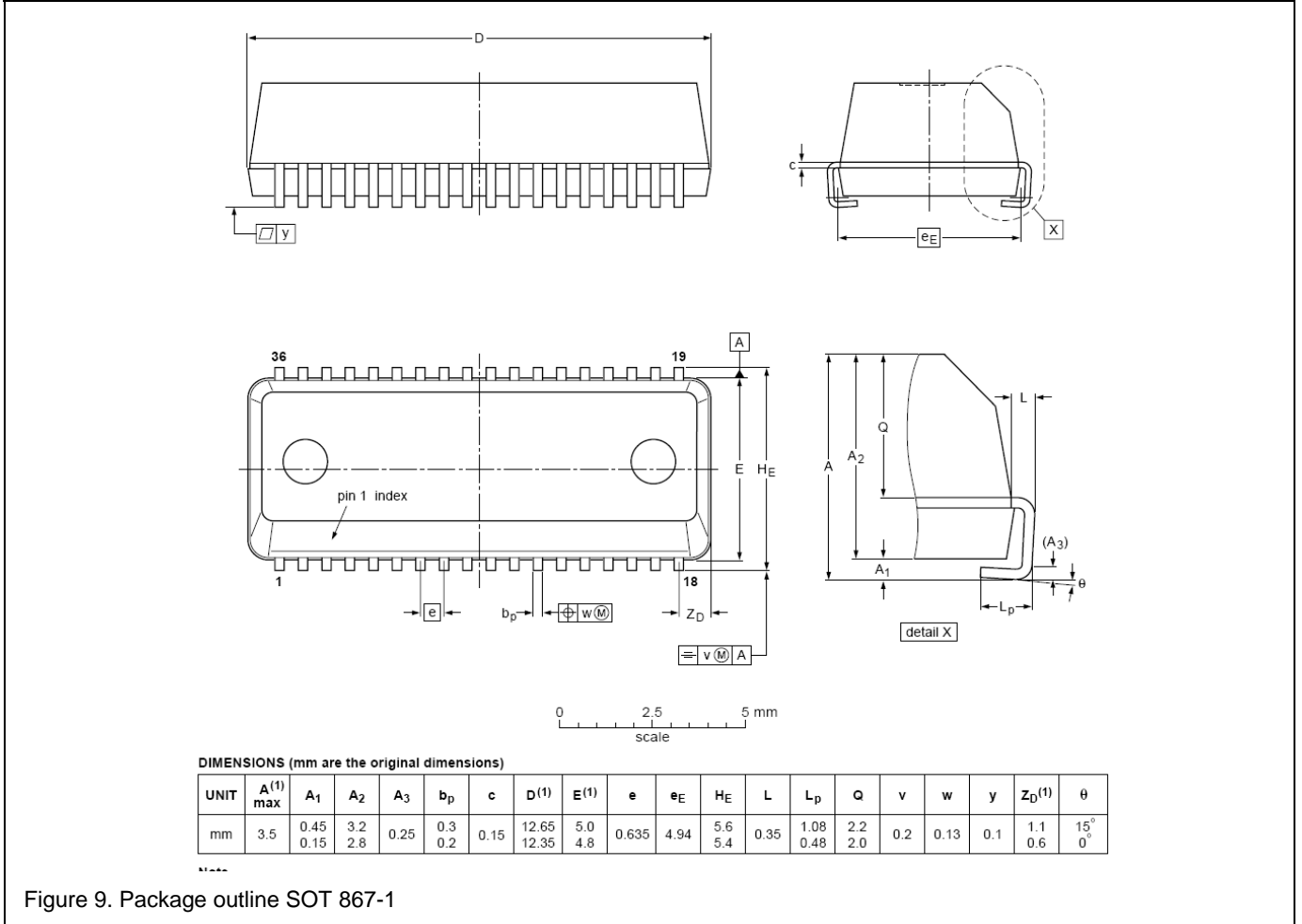


Figure 9. Package outline SOT 867-1

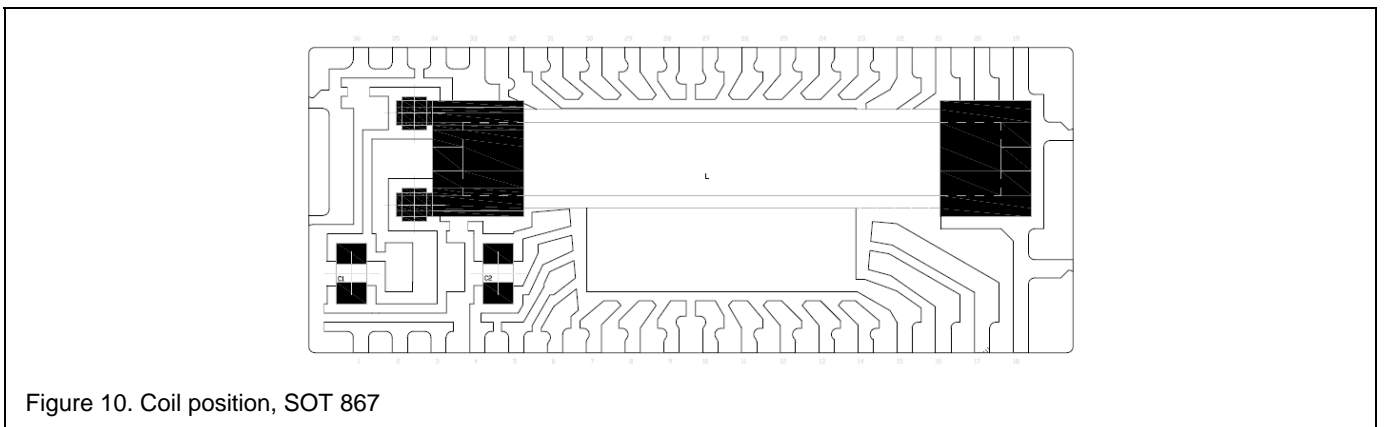


Figure 10. Coil position, SOT 867

# Security Transponder and RISC Controller (STARC 2XLite)

# PCF7x41ATJ

## 12 TEST SETUP

Device characteristics are measured according to the test setups given below.

Electrical characteristics are measured in a Helmholtz arrangement that generates an almost homogenous magnetic field at the position of the device under test (transponder); see Figure 12.

The sense coils detect the absorption modulation induced by the transponder, whereas the reference coils sense the magnetic flux generated by the field generating coils only. The voltage difference measured between the sense coils and reference coils is proportional to the magnetic field absorption induced by the transponder.

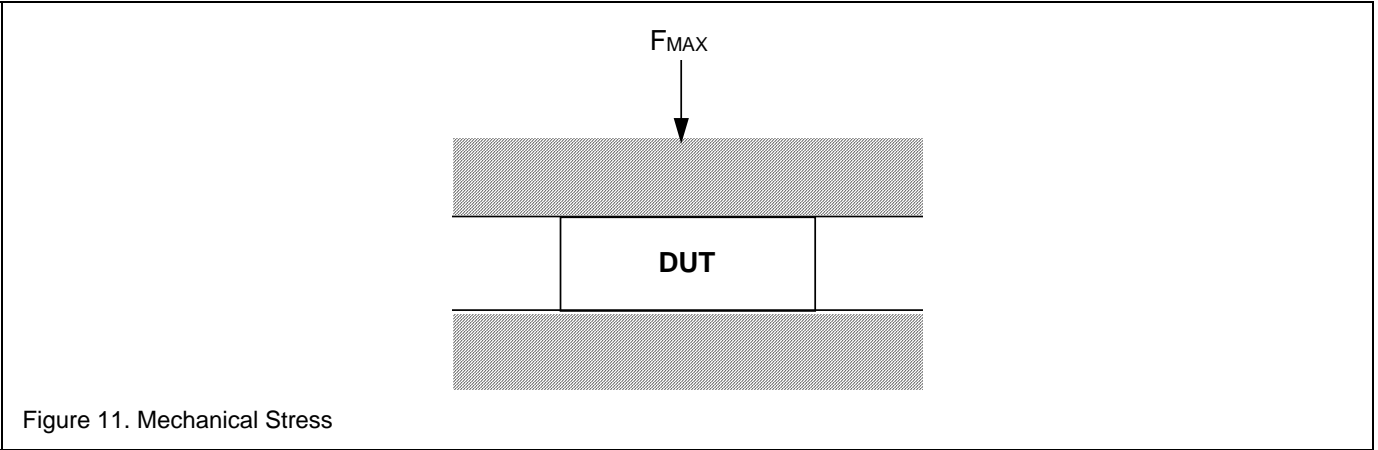


Figure 11. Mechanical Stress

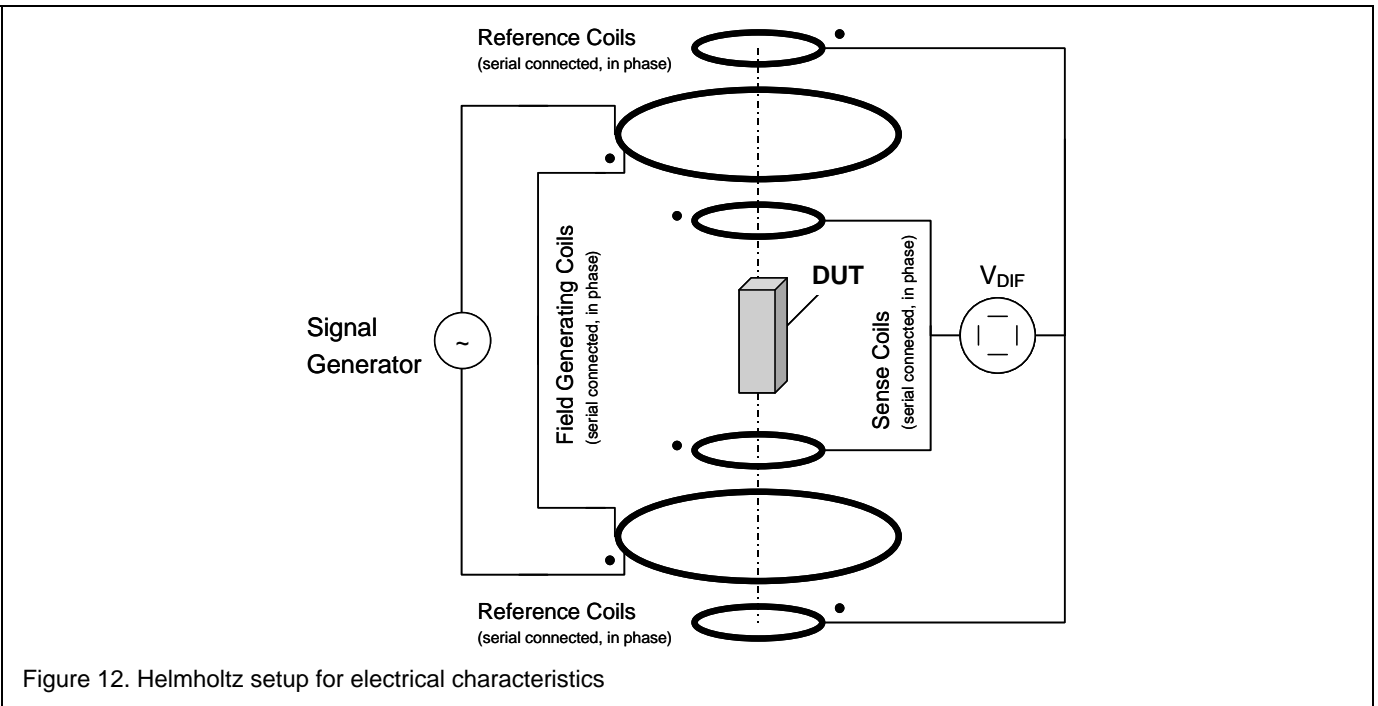


Figure 12. Helmholtz setup for electrical characteristics

## Security Transponder and RISC Controller (STARC 2XLite)

PCF7x41ATJ

**13 RELATED DOCUMENTS**

Type	Name / Reference	Description
Data Sheet	PCF7941 / PCF7341	Product Specification
Data Sheet	PCF7x41 ROM Library	Implementation and Description
Data Sheet	PCF7941 Monitor and Download Interface	Functional Description

**14 DEVELOPMENT TOOLS**

Reference	Name	Description
OM6710	RIDE	Software development suite
OM6713	Universal Download and Debug Board (U-DDB)	Hardware and software Interface between host PC and target device.
OM6714	EWMRKII (Embedded workbench for MRKII microcontroller cores)	New Software development suite with C-compiler and for emulation
OM6715	2LINK hardware	USB connection with emulation electronic for OM6714

**15 REVISION HISTORY**

Revision	Page	Description
2006 Apr 24		Objective Specification
2006 Jul 19	11	Editorial changes and correction LIMITING VALUES updated + Moisture Sensitivity Level fixed to MSL 2
2007 Jun 20	all 11	Editorial changes and correction + Moisture Sensitivity Level fixed to MSL 3 + Table 11.1 Electrical Characteristics: Magnetic flux density MIN values adapted
2007 Nov 1	9	Inserted Chapter 8.1 LF Field Power On Reset Product specification release
2011 Aug 10	17	Editorial changes Update Legal Information.
2013 Oct 15	4	Update ORDERING INFORMATION.



# Security Transponder and RISC Controller (STARC 2XLite)

# PCF7x41ATJ

## 16 LEGAL INFORMATION

### 16.1 Data sheet status

Document status <sup>[1][2]</sup>	Product status <sup>[3]</sup>	Definition
Objective [short] data sheet	Development	This document contains data from the objective specification or product development
Preliminary [short] data sheet	Qualification	This document contains data from the preliminary specification
Product [short] data sheet	Production	This document contains the product specification

[1] Please consult the most recently issued document before initiating or completing a design.

[2] The term 'short data sheet' is explained in section "Definitions".

[3] The product status of device(s) described in this document may have changed since this document was published and may differ in case of multiple devices. The latest product status information is available on the Internet at URL <http://www.nxp.com>.

### 16.2 Definitions

#### Draft

The document is a draft version only. The content is still under internal review and subject to formal approval, which may result in modifications or additions. NXP Semiconductors does not give any representations or warranties as to the accuracy or completeness of information included herein and shall have no liability for the consequences of use of such information.

#### Short data sheet

A short data sheet is an extract from a full data sheet with the same product type number(s) and title. A short data sheet is intended for quick reference only and should not be relied upon to contain detailed and full information. For detailed and full information see the relevant full data sheet, which is available on request via the local NXP Semiconductors sales office. In case of any inconsistency or conflict with the short data sheet, the full data sheet shall prevail.

**Product specification** — The information and data provided in a Product data sheet shall define the specification of the product as agreed between NXP Semiconductors and its customer, unless NXP Semiconductors and customer have explicitly agreed otherwise in writing. In no event however, shall an agreement be valid in which the NXP Semiconductors product is deemed to offer functions and qualities beyond those described in the Product data sheet.

### 16.3 Disclaimers

**Limited warranty and liability** — Information in this document is believed to be accurate and reliable. However, NXP Semiconductors does not give any representations or warranties, expressed or implied, as to the accuracy or completeness of such information and shall have no liability for the consequences of use of such information.

In no event shall NXP Semiconductors be liable for any indirect, incidental, punitive, special or consequential damages (including - without limitation - lost profits, lost savings, business interruption, costs related to the removal or replacement of any products or rework charges) whether or not such damages are based on tort (including negligence), warranty, breach of contract or any other legal theory.

Notwithstanding any damages that customer might incur for any reason whatsoever, NXP Semiconductors' aggregate and cumulative liability towards customer for the products described herein shall be limited in accordance with the Terms and conditions of commercial sale of NXP Semiconductors.

**Right to make changes** — NXP Semiconductors reserves the right to make changes to information published in this document, including without limitation specifications and product descriptions, at any time and without notice. This document supersedes and replaces all information supplied prior to the publication hereof.

**Suitability for use in automotive applications** — This NXP Semiconductors product has been qualified for use in automotive applications. The product is not designed, authorized or warranted to be suitable for any other use, including medical, military, aircraft, space or life support equipment, nor in applications where failure or malfunction of an NXP Semiconductors product can reasonably be expected to result in personal injury, death or severe property or environmental damage. NXP Semiconductors accepts no liability for inclusion and/or use of NXP Semiconductors products in such equipment or applications and therefore such inclusion and/or use is at the customers own risk.

**Applications** — Applications that are described herein for any of these products are for illustrative purposes only. NXP Semiconductors makes no representation or warranty that such applications will be suitable for the specified use without further testing or modification. Customers are responsible for the design and operation of their applications and products using NXP Semiconductors products, and NXP Semiconductors accepts no liability for any assistance with applications or customer product design. It is customer's sole responsibility to determine whether the NXP Semiconductors product is suitable and fit for the customer's applications and products planned, as well as for the planned application and use of customer's third party customer(s). Customers should provide appropriate design and operating safeguards to minimize the risks associated with their applications and products.

NXP Semiconductors does not accept any liability related to any default, damage, costs or problem which is based on any weakness or default in the customer's applications or products, or the application or use by customer's third party customer(s). Customer is responsible for doing all necessary testing for the customer's applications and products using NXP Semiconductors products in order to avoid a default of the applications and the products or of the application or use by customer's third party customer(s). NXP does not accept any liability in this respect.

**Limiting values** — Stress above one or more limiting values (as defined in the Absolute Maximum Ratings System of IEC 60134) will cause permanent damage to the device. Limiting values are stress ratings only and (proper) operation of the device at these or any other conditions above those given in the Recommended operating conditions section (if present) or the Characteristics sections of this document is not warranted. Constant or repeated exposure to limiting values will permanently and irreversibly affect the quality and reliability of the device.

**Terms and conditions of commercial sale** — NXP Semiconductors products are sold subject to the general terms and conditions of commercial sale, as published at <http://www.nxp.com/profile/terms>, unless otherwise agreed in a valid written individual agreement. In case an individual agreement is concluded only the terms and conditions of the respective agreement shall apply. NXP Semiconductors hereby expressly objects to applying the customer's general terms and conditions with regard to the purchase of NXP Semiconductors products by customer.

---

# Security Transponder and RISC Controller (STARC 2XLite)

# PCF7x41ATJ

---

**No offer to sell or license** — Nothing in this document may be interpreted or construed as an offer to sell products that is open for acceptance or the grant, conveyance or implication of any license under any copyrights, patents or other industrial or intellectual property rights.

**Export control** — This document as well as the item(s) described herein may be subject to export control regulations. Export might require a prior authorization from national authorities.

**Quick reference data** — The Quick reference data is an extract of the product data given in the Limiting values and Characteristics sections of this document, and as such is not complete, exhaustive or legally binding.

## 17 Contact information

For sales office addresses, please send an email to:

[salesaddresses@nxp.com](mailto:salesaddresses@nxp.com)

For additional information, please visit: <http://www.nxp.com>

---

Please be aware that important notices concerning this document and the product(s) described herein, have been included in the section 'Legal information'.

© NXP B.V. All rights reserved.

For more information, please visit: <http://www.nxp.com>  
For sales office addresses, email to: [sales.addresses@www.nxp.com](mailto:sales.addresses@www.nxp.com)