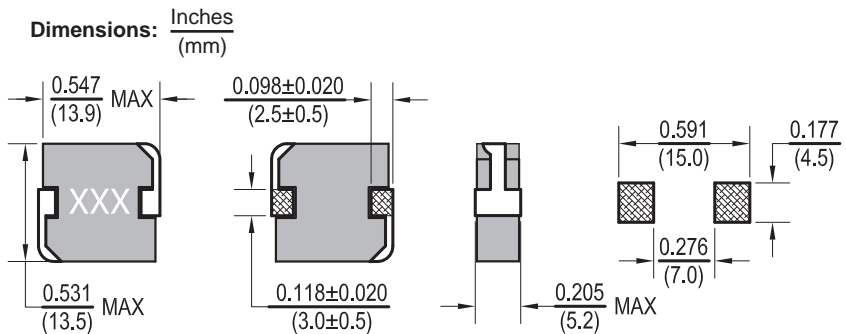
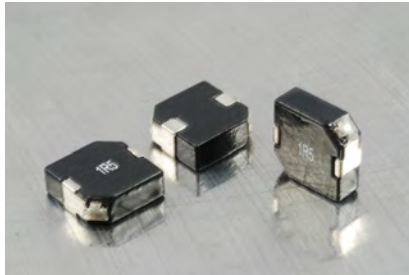




## Power Choke High Current

## PCHC125P



Allied Part Number	Inductance ( $\mu\text{H}$ )	Tolerance (%)	Test Freq. KHz, 1v	DCR ( $\Omega$ ) Max	Isat (A)	Irms (A) Max.
PCHC125P-R47M-RC	0.47	20	100	1.3	65	38
PCHC125P-R68M-RC	0.68	20	100	1.7	54	34
PCHC125P-1R0M-RC	1.00	20	100	2.5	50	29
PCHC125P-1R5M-RC	1.50	20	100	4.1	48	23
PCHC125P-2R2M-RC	2.20	20	100	5.5	32	20
PCHC125P-3R3M-RC	3.30	20	100	9.2	32	15
PCHC125P-4R7M-RC	4.70	20	100	15	27	12
PCHC125P-6R8M-RC	6.80	20	100	18.5	21	11
PCHC125P-100M-RC	10	20	100	25.5	16	9

All specifications subject to change without notice.

### Features

- Magnetically shielded construction
- High saturation current up to 65A
- Expanded operating temp range
- Low DC Resistance
- Suitable for pick and place

### Electrical

**Inductance Range:** .47 $\mu\text{H}$  to 10 $\mu\text{H}$

Additional values available

**Tolerance:** 20% over entire range, Available in tighter tolerances

**Test Frequency:** 100KHz, 1.0Vdc

**Operating Temp:** -55°C ~ +125°C

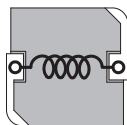
**Storage Temp:** -55°C ~ +125°C

**Temp Rise:**  $\Delta T=40^\circ\text{C}$  Typical at rated I<sub>rms</sub> without core loss.

Part temperature should not exceed 125°C including temperature rise.

**Inductance Drop:** 20% typical at rated Isat

### Schematic



### Resistance to Soldering Heat

Pre-Heat 150°C, 1 minute.

**Solder Composition:** Sn/Ag3.0/Cu0.5

**Solder Temp:** 260°C  $\pm$  5°C

**Immersion Time:** 10 sec.  $\pm$  1 sec.

### Test Equipment

**(L):** HP4284A LCR meter or equivalent

**(DCR):** CH16502, Agilent 33420A Mico-Ohm Meter

**IDC:** 3260B WK & DC Bias 3265BWK

### Physical

**Packaging:** 500 pieces per 13 inch reel.

**Marking:** EIA Inductance Code