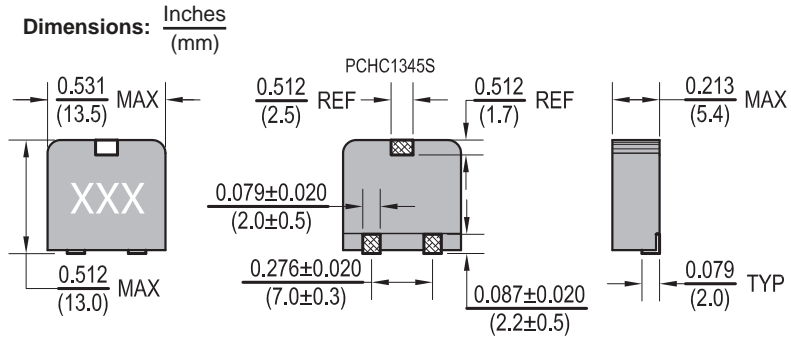
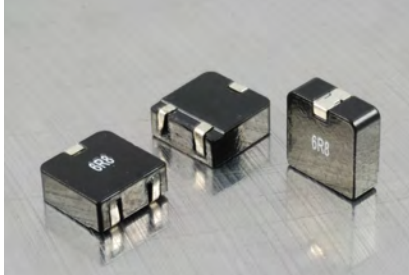




# Power Choke High Current

# PCHC1354S



Allied Part Number	Inductance (μh)	Tolerance (%)	Test Freq. KHz, 1v	DCR (Ω) Max	Isat (A)	Irms (A) Max.
PCHC1354S-R68M-RC	0.68	20	100	1.5	38.8	29.7
PCHC1354S-1R0M-RC	1.00	20	100	2	34	26
PCHC1354S-1R4M-RC	1.40	20	100	3.4	26	22
PCHC1354S-2R2M-RC	2.20	20	100	4.5	20	18
PCHC1354S-3R3M-RC	3.30	20	100	7	18	15
PCHC1354S-4R7M-RC	4.70	20	100	8.8	15	13
PCHC1354S-6R8M-RC	6.80	20	100	12	12	9

All specifications subject to change without notice.

### Features

- Magnetically shielded construction
- High saturation current up to 38.8A
- Expanding operating temp range
- Low DCR resistance
- Suitable for pick and place

### Electrical

**Inductance Range:** .68μH to 6.8μH

Additional values available

**Tolerance:** 20% over entire range, Available in tighter tolerances

**Test Frequency:** 100KHz, 1.0Vdc

**Operating Temp:** -55°C ~ +125°C

**Storage Temp:** -55°C ~ +125°C

**Temp rise:** ΔT=40°C Typical at rated Irms with out core loss.

Part temperature should not exceed 125°C including temperature rise.

**Inductance drop:** 20% typical at rated Isat

### Resistance to Soldering Heat

Pre-Heat 150°C, 1 minute.

**Solder Composition:** Sn/Ag3.0/Cu0.5

**Solder Temp:** 260°C ± 5°C

**Immersion Time:** 10 sec. ± 1 sec.

### Test Equipment

**(L):** HP 4284A LCR meter or equivalent

**(DCR):** CH16502, Agilent 33420A Micro-Ohm meter

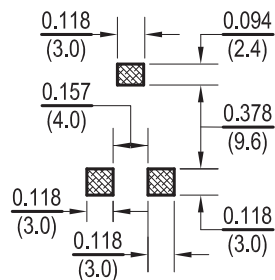
**(IDC):** 3260B WK & DC Bias 3265B WK

### Physical

**Packaging:** 500 pieces per 13 inch reel.

**Marking:** EIA Inductance Code

### Land Pattern



### Schematic

