

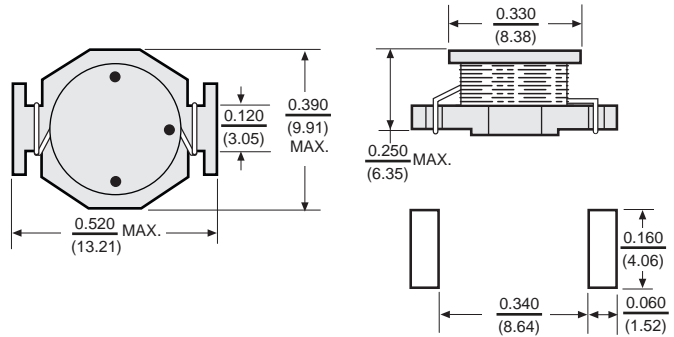


# Power Chip High Current Inductors PCHC40

Dimensions:  $\frac{\text{Inches}}{\text{(mm)}}$



\* Notice of marking change see "Marking" below.



### Features

- Designed for high current, low voltage DC to DC converter applications
- Current ratings up to 16Arms and saturation current up to 20A
- Extremely low DCR
- Provided in tape and reel packaging for pick and place assembly

### Electrical

**Inductance Range:** .33μh to 100μh.

**Tolerance:** ± 20% over the entire inductance range.

**Test Frequency:** Inductance measured at 100KHz, 0.1 Vrms.

**Operating Temp. Range:** -40° to +85°C.

**Inductance Drop:** 10% typically at the rated Isat.

**Temperature Rise:** ΔT=40°C rise typical at Irms.

### Physical

**Marking:** Notice: We will be changing our marking system to the 4 character EIA code for inductance and tolerance. For example: "101K" for 100μh 10%.

**Packaging:** 700 pieces per 13 inch reel.

Allied Part Number	Inductance (μh)	Tolerance (%)	SRF Reference (MHz)	DCR Max. (Ω)	Isat (A)	Irms (A)
PCHC40-R33M-RC	.33	20	300	.002	20.0	16.0
PCHC40-R68M-RC	.68	20	200	.005	13.0	12.0
PCHC40-1R0M-RC	1.0	20	100	.006	11.0	10.0
PCHC40-1R5M-RC	1.5	20	90	.008	9.0	9.0
PCHC40-2R2M-RC	2.2	20	90	.011	7.8	7.4
PCHC40-2R7M-RC	2.7	20	65	.012	7.0	6.6
PCHC40-3R3M-RC	3.3	20	65	.014	6.4	5.9
PCHC40-4R7M-RC	4.7	20	45	.018	5.4	4.8
PCHC40-6R8M-RC	6.8	20	35	.035	3.6	5.0
PCHC40-100M-RC	10	20	26	.04	3.3	4.3
PCHC40-150M-RC	15	20	21	.06	2.4	3.5
PCHC40-220M-RC	22	20	17	.08	2.0	2.8
PCHC40-330M-RC	33	20	14	.15	1.7	2.1
PCHC40-470M-RC	47	20	12	.28	1.4	1.7
PCHC40-680M-RC	68	20	9	.3	1.2	1.5
PCHC40-101M-RC	100	20	7	.4	.95	1.2

All specifications subject to change without notice.