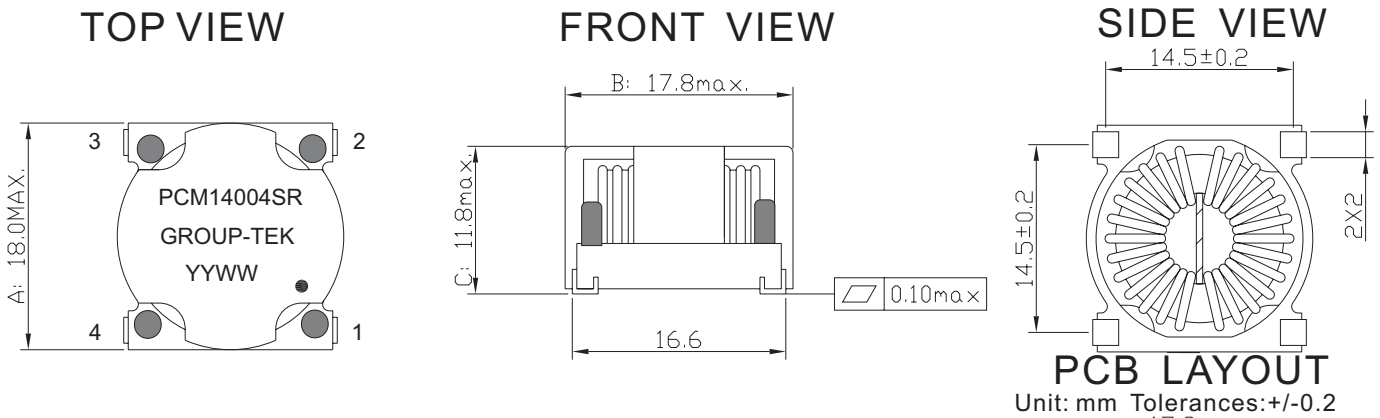
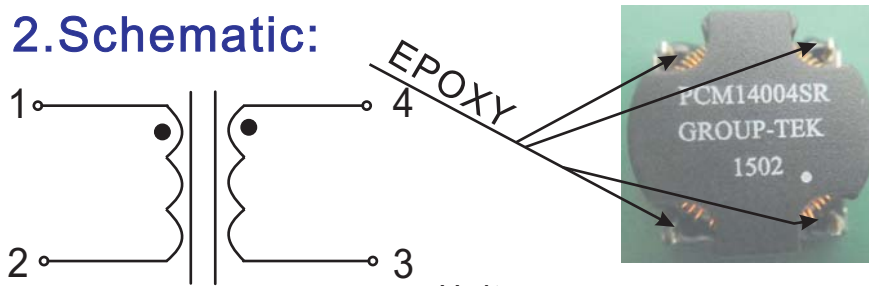


1. Mechanical Dimensions:



2. Schematic:



Unit: mm

A MAX	B MAX	C MAX
18.0	17.8	11.8

3. Electrical Characteristics :

Specifications: at 25 degree C. Operating Temperature -40 to +85°C			
NO.	ITEM	TEST CONDITION	SPECIFICATION
1	Inductance	(1-2)(4-3)@10KHz, 0.1V	6 mH Min.
2	Leakage Inductance	(1-2)tied(4-3) @20KHz, 0.1V	30uH Max.
3	DCR	(1-2)(4-3) @ 25°C	160 mΩ Max
4	T/R	(1-2):(4-3)	1:1
5	HI-POT	1, 2 TO3,4	1.5KVac 2mA,2Sec
6	IDC		1.0 A
7	CMRR	1-30MHz	-35dB
8		30-60MHz	-30dB
9		60-100MHz	-25dB
10		100-125MHz	-25dB