

PCM16C010 Configurable PC Card Interface Chip

General Description

National's PCM16C010 acts as a standard interface between the PC Card Host bus and local card busses found on I/O and memory PC Cards. This device allows the card designer to focus on the design of the I/O functions while providing a one-chip solution for I/O memory window control, EEPROM interfacing, and power management.

The PCM16C010 provides a PC Card interface for any ISA like function which allows it to be placed on a PC Card.

In addition, the PCM16C010 provides the capability to configure the function as a NAND Flash (NM29N16) interface; supporting all of the necessary control signals required to handshake with NAND Flash (NM29N16) memory devices.

The PCM16C010 is fully compliant with the PC Card Standard. This IC allows the system software to setup an I/O decode window and provides the Attribute memory decode control that allow attribute read and write data transfers.

Note, PC Card refers to technology developed to the PC Card Standards determined by the PCMCIA Standards Committee.

Features

- PC Card bus interface
- PC Card Standard configuration registers
- 100 pin TQFP package
- Configurable as NAND Flash (NM29N16) interface
- Serial EEPROM Interface compatible with MICROWIRE™ EEPROM protocol
- 1-kbyte on chip RAM for attribute memory which shadows the CIS and is used for loading static registers
- Address decoding and control for I/O functions
- Power management and clock control
- Common memory logic for common memory devices including NOR Flash devices
- Operating voltage range = $V_{CC(opr)} = 3V \sim 5.0V$

1.0 System Diagram

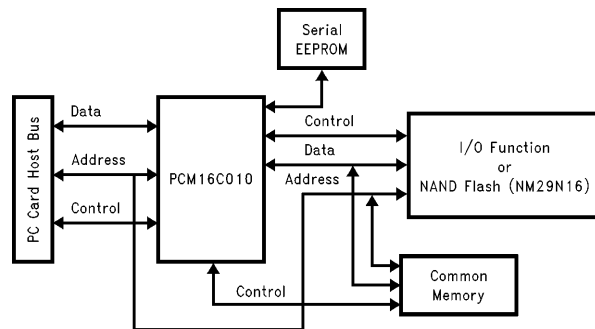


FIGURE 1-1

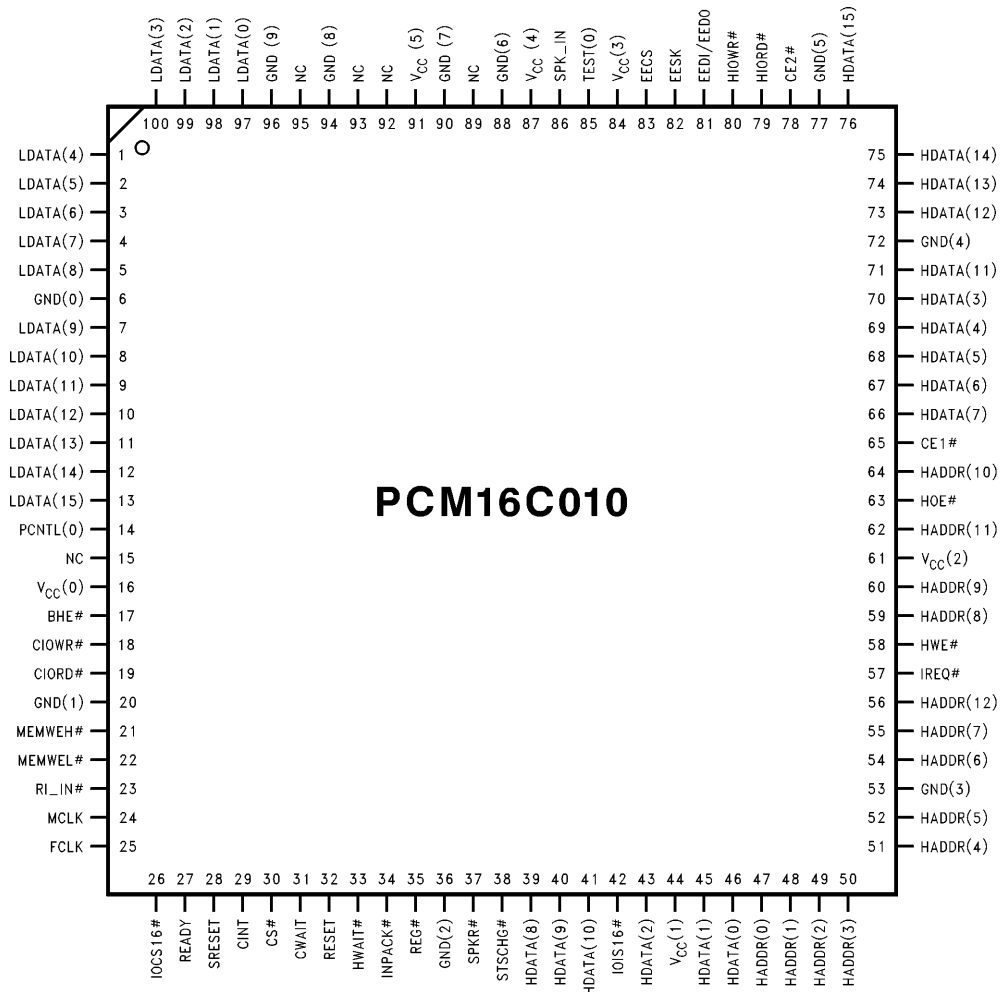
TL/F/12147-1

TRI-STATE® is a registered trademark of National Semiconductor Corporation.
MICROWIRE™ is a trademark of National Semiconductor Corporation.

Table of Contents

GENERAL DESCRIPTION AND PRODUCT FEATURES	1
1.0 SYSTEM DIAGRAM	1
2.0 CONNECTION DIAGRAM	3
3.0 PINOUT DESCRIPTION AND DETAILED TABLES	4
4.0 BLOCK DIAGRAM	7
5.0 FUNCTIONAL DESCRIPTION	8
5.1 Address Maps	8
5.1.1 Attribute Memory Addressing	8
5.1.2 I/O Memory Addressing	9
5.1.3 Common Memory Addressing	9
5.2 CIS (Card Information Structure)	9
5.3 Registers	9
5.3.1 PCM16C010 Specific Registers	9
5.3.2 PC Card Register	11
5.4 Logic Descriptions	14
5.4.1 I/O Card Interface Logic for PC Card Host I/O Access	14
5.4.2 EEPROM Interface	14
5.4.3 Power Management	15
5.4.4 NAND Flash (NM29N16) Interface	15
NAND Flash (NM29N16) Mode Register Set (Table 5-2)	16
NAND Flash (NM29N16) Interface Block Diagram (<i>Figure 5-2</i>)	17
Typical PCM16C010 to NAND Flash (NM29N16) Read to I/O Space Sequence (<i>Figures 5-3, 5-4</i> and Table 5-3) ..	18
6.0 OPERATIONAL MODES	20
6.1 Initial Setup (Reset) and Configuration	20
6.2 Reset Conditions	20
6.3 16-Bit/8-Bit Operation	20
6.4 Special Testability Modes	20
SOFTWARE	20
ABSOLUTE MAXIMUM RATINGS	21
RECOMMENDED OPERATING CONDITIONS	21
RELIABILITY REQUIREMENTS	21
DC ELECTRICAL CHARACTERISTICS	21
TIMING SPECIFICATIONS AND DIAGRAMS	23
CAPACITANCE	37
TYPICAL APPLICATIONS	37
REFERENCES	37
PHYSICAL DIMENSIONS	38

2.0 Connection Diagram



NC = No Connect

TL/F/12147-2

**Order Number PCM16C010VJG
See NSC Package Number VJG100A**

3.0 Pinout Description

TABLE 3-1. PC Card Host-Side Pins

Pin Name	Pin Type	Pin No.	Level Compatibility	Internal Resistor	Description
HDATA(15:0)	I/O	39–41, 43, 45, 46, 66–71, 73–76	TTL 6 mA	> 100k to GND	PC Card Host Data Bus.
HADDR(12:0)	I	47–52, 54–56, 59, 60, 62, 64	TTL	> 100k to GND	PC Card Host Address Bus.
HOE#	I	63	TTL	> 100k to V _{CC}	PC Card Host uses this pin to read common or attribute memory space.
HWE#	I	58	TTL	> 100k to V _{CC}	PC Card Host uses this pin to write common or attribute memory space.
HIORD#	I	79	TTL	> 100k to V _{CC}	PC Card Host uses this pin to read I/O memory space.
HIOWR#	I	80	TTL	> 100k to V _{CC}	PC Card Host uses this pin to write I/O memory space.
IREQ#	O	57	CMOS 6 mA		Interrupt Request signal to PC Card Host.
HWAIT#	O	33	CMOS 6 mA		This pin allows the PCM16C02 to insert wait states in a PC Card transaction.
IOIS16#	O	42	CMOS 6 mA		Low indicates this I/O access to the card is capable of 16-bit access. The Function may use IOCS16# to control this signal and inform the host if a 16-bit access to the target is feasible.
INPACK#	O	34	CMOS 6 mA		Signals a valid I/O read.
CE1#	I	65	TTL	> 100k to V _{CC}	Indicates even address byte. Odd addresses are not released. CE1# and CE2# assertion encodings are specified by the PC Card Standard.
CE2#	I	78	TTL	> 100k to V _{CC}	Indicates odd addressing only. CE1# and CE2# assertion encodings are specified by the PC Card Standard.
REG#	I	35	TTL	> 100k to V _{CC}	Indicates access to attribute memory space or I/O address space. REG# must be high to access common memory space.
RESET	I	32	TTL Schmitt	> 100k to V _{CC}	Asynchronously resets the PCM16C02.
SPKR#	O	37	CMOS 6 mA		If Audio bits are set in the Card Configuration Status Register and in the Function Configuration Status Register then SPKR# is invert of SPK_IN pin, else SPKR# is high.
STSCHG#	O	38	CMOS 6 mA		STSCHG# is asserted when the Changed bit and SigChg bit are set in the Card Configuration Status Register.

3.0 Pinout Description (Continued)

TABLE 3-2. Serial EEPROM Interface Pins

Pin Name	Pin Type	Pin No.	Level Compatibility	Internal Resistor	Description
EEDI/EEDO	I/O	81	TTL 6 mA		Serial Data in to/from EEPROM.
EECS	O	83	CMOS 6 mA		EEPROM Chip Select.
EESK	O	82	CMOS 6 mA		EEPROM Clock. Freq = MCLK(0)/32.

Note: The Enable EEPROM function is performed in software by writing to the EEPROM Control Register. The Enable EEPROM bit will default to low (disabled) upon power on.

TABLE 3-3. Card-Side Interface Pins

Pin Name	Pin Type	Pin No.	Level Compatibility	Internal Resistor	Description
LDATA(15:0)	I/O	1–5, 7–13, 97–100	TTL 6 mA	Hold Circuit (Note 1)	Card-side Data Bus.
SPK_IN	I	86	TTL Schmitt		Input Audio Signal.
RI_IN#	I (Note 2)	23	TTL Schmitt		Ring Indicator for function 0.
CIORD#	O	19	CMOS 6 mA		I/O read signals are passed through from HIOR# according to the expression shown below when a valid address is decoded. CIORD# = HIOR# + REG# + (CE1# * CE2#)
CIOWR#	O	18	CMOS 6 mA		I/O write signals are passed through from HIOWR# according to the expression shown below when a valid address is decoded. CIOWR# = HIOWR# + REG# + (CE1# * CE2#)
CWAIT	I (Note 2)	31	TTL		Card-side transaction wait state input.
CS#	O	30	CMOS 6 mA		Chip select for function.
BHE#	O	17	CMOS 6 mA		Byte high enable. When de-asserted and CS()# asserted, an 8-bit access on LDATA(7:0) is in progress. This holds for both odd and even addresses. When asserted and CS()# asserted, a 16-bit access on LDATA(15:0) is in progress.
READY	I	27	TTL	> 100k to V _{CC}	Indicates that the function is either READY or ~READY (i.e. - Busy). This signal is used to assert the Rdy/Bsy# bit in Pin Replacement Registers.
CINT	I (Note 2)	29	TTL Schmitt		Card-side interrupt input signal.
SRESET	O	28	CMOS 6 mA		Signals reset to Card-side function.
IOCS16#	I (Note 2)	26	TTL		This pin is asserted during an access to a function if that function is capable of a 16-bit access.
PCNTL	O	14	CMOS 6 mA		Power management control signals or general output.
MCLK	I	24	TTL Schmitt		Input clock for function.
FCLK	O	25	CMOS 6 mA		Output clock signal for function. This may be gated on/off or be a divided value of MCLK.
MEMWEH#	O Tri	21	CMOS 6 mA	> 10k to V _{CC}	Common Memory write output for upper byte of data word.
MEMWEL#	O Tri	22	CMOS 6 mA	> 10k to V _{CC}	Common Memory write output for lower byte of data word.

Note 1: The Hold Circuit will hold the signal to the logic value it was last set to when the line is TRI-STATE®. This will insure that inputs do not float during a TRI-STATE condition.

Note 2: The CAWAIT, CINT, RI_IN and IOCS16# pins are outputs (O) when the function is configured for the NAND Flash (NM29N16) Mode.

3.0 Pinout Description (Continued)

TABLE 3-4. Miscellaneous Pins

Pin Name	Pin Type	Pin No.	Level Compatibility	Internal Resistor	Description
TEST(0)	I	85	TTL	> 100k to GND	Test pin. This pin should be left disconnected for normal operation.
V _{CC} (5:0)	Power	84, 61, 44, 16, 87, 91			Power Voltage.
GND(9:0)	Power	88, 77, 72, 53, 36, 20, 6, 90, 94, 96			Return Voltage.

TABLE 3-5. NAND Flash (NM29N16) Mode Pins

Pin Name	Pin Type	Pin No.	Level Compatibility	Internal Resistor	Description
ALE	O (Note 1)	31	CMOS 6 mA		Address Latch Enable
CLE	O	28	CMOS 6 mA		Command Latch Enable
WE #	O (Note 1)	29	CMOS 6 mA		Write Enable
RE #	O	30	CMOS 6 mA		Read Enable
RDY/BSY #	I	27	TTL	> 100k to V _{CC}	Ready/Busy Input
CE_NAND (3:0) #	O (Note 1)	23, 26, 14, 25	CMOS 6 mA		Chip Enables for NAND Flash (NM29N16) Devices

Note 1: The ALE, WE #, CE_NAND(0) #, and CE_NAND(1) # pins are inputs (I) when function 0 is NOT configured for the NAND Flash (NM29N16) Mode.

Pin Total:	
Host-Side Interface Pins	44
EEPROM Interface Pins	4
Card-Side Interface Pins	30
Miscellaneous Pins	22
Total Pins	100

4.0 Block Diagram

Pin functions in:

Pin functions in:

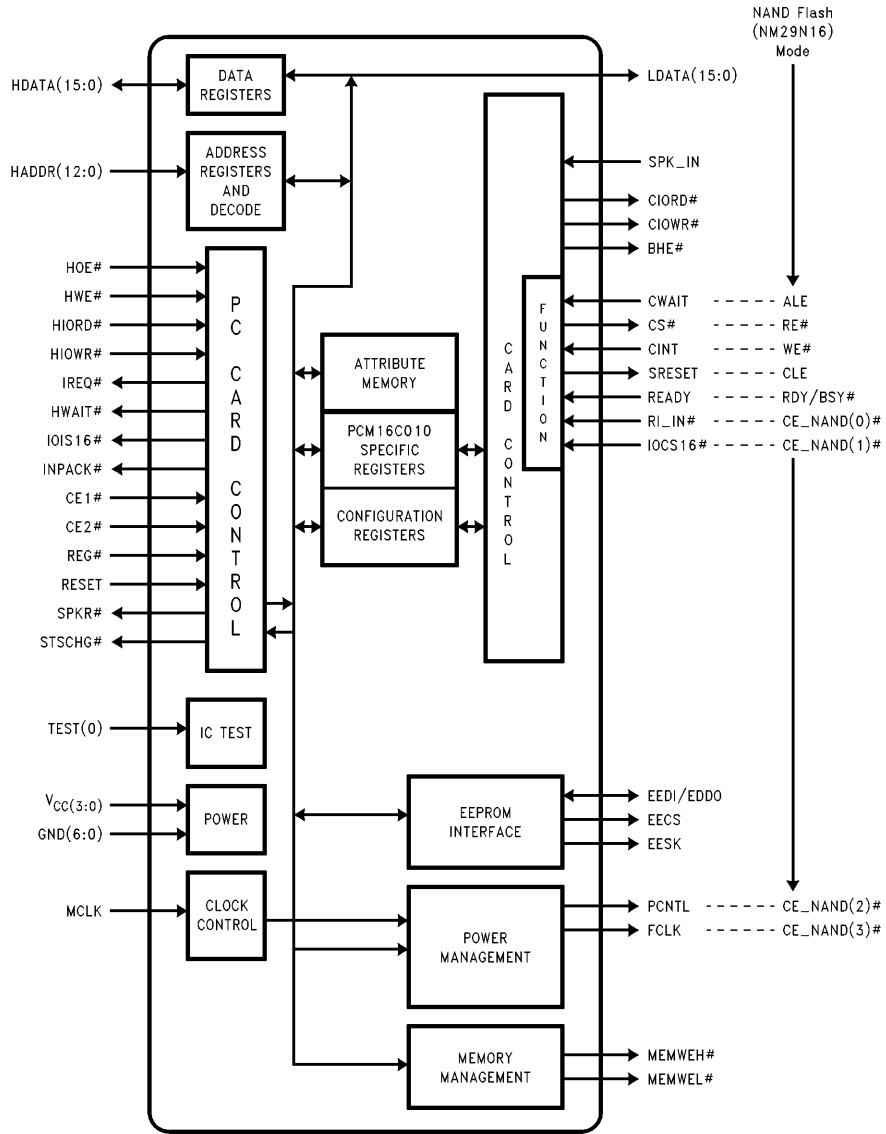


FIGURE 4-1

TL/F/12147-3

5.0 Functional Description

The PCM16C02 provides an integrated solution to interfacing dual function I/O cards with the PC Card Bus. The part has a contiguous 1-kbyte RAM block to store attribute memory. The IC also provides an EEPROM interface to serial EEPROMs that use the MICROWIRE protocol. At a minimum, a 16-kbit serial EEPROM is required. The part allows I/O address windows to be programmed independently for each function.

5.1 ADDRESS MAPS

5.1.1 Attribute Memory Addressing

The Attribute Memory space contains both the Card Information Structure (CIS), PC Card Registers for both I/O functions, and PCM16C02 implementation specific registers. Note that PC Card Standard specifies that Attribute memory may only be accessed on even address byte boundaries. The Attribute Memory space fragmentation is shown in Table 5-1.

TABLE 5-1. Attribute Memory Map

Register Description	Register Type	Address (Hex)	EEPROM
Card Information Structure	PC Card CIS	0x000–0x03E2	Yes
Pin Polarity Register	PCM16C02 Specific	0x03E4	Yes
PMGR and Clock Register	PCM16C02 Specific	0x03E6	Yes
CTERM Register	PCM16C02 Specific	0x03E8	Yes
Unused	PCM16C02 Specific	0x03EA	Yes
Reserved for Future Use Registers	PCM16C02 Specific	0x03EC–0x03EE	Yes
Miscellaneous Register	PCM16C02 Specific	0x03F0	Yes
Reserved for Future Use Registers	PCM16C02 Specific	0x03F2–0x03F4	Yes
Wait State Timer Registers	PCM16C02 Specific	0x03F6	Yes
NAND Flash (NM29N16) Config Register	PCM16C02 Specific	0x03F8	Yes
Reserved for Future Use Register	PCM16C02 Specific	0x03FA	Yes
Watchdog Timer Register	PCM16C02 Specific	0x03FC	Yes
Reserved for Future Use Registers	PCM16C02 Specific	0x03FE	Yes
Card Information Structure	PC Card CIS	0x0400–0x07FE	Optional
ID Register	PCM16C02 Specific	0x1000	No
EEPROM Control Register	PCM16C02 Specific	0x1002	No
EEPROM Security Register	PCM16C02 Specific	0x1004	No
Reserved for Future Use Registers	PCM16C02 Specific	0x1006–0x101E	No
Function Configuration Option Register	PC Card	0x1020	No
Function Configuration Status Register	PC Card	0x1022	No
Function Pin Replacement Register	PC Card	0x1024	No
Unused	PC Card	0x1026	No
Function I/O Event Register	PC Card	0x1028	No
Function Base A Register	PC Card Extension	0x102A	No
Function Base B Register	PC Card Extension	0x102C	No
Unused	PC Card Extension	0x102E–0x1030	No
Function Limit Register	PC Card Extension	0x1032	No
Reserved for Future Use Registers	PC Card Extension	0x1034–0x103E	No
Reserved for Future Use Registers	PC Card Extension	0x1040–0x105E	No

5.0 Functional Description (Continued)

5.1.2 I/O Memory Addressing

National's PCM16C010 uses address base and limit registers to steer I/O transactions from the PC Card Host to the card function.

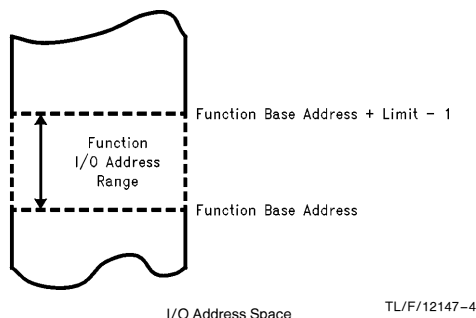


FIGURE 5-1. I/O Address Decoding for Two Functions on a PC Card

5.1.3 Common Memory Addressing

The NSC PCM16C010 does not specifically decode common memory address accesses initiated by the host. Rather, it will pass a host access of HDATA(15:0) through to LDATA(15:0) while passing the address lines around the PCM16C010. In addition, PCM16C010 will pass the host HWE# signal assertion to the MEMWEH# / MEMWEL# signals appropriately based upon the proper assertion of CE1#, CE2#, and REG#. The assertion of MEMWEH#, MEMWEL#, or both is determined by an 8-bit or 16-bit access as specified in the PC Card Standard.

If a function is mapped to common memory, and requires further address lines, it may use the HADDR(25:13) lines from the PC Card socket as additional address lines around the PCM16C010. The card design is free to use external decoding logic for common memory.

5.2 CIS (CARD INFORMATION STRUCTURE)

[0x000-0x03E2]

When the PCM16C010 powers on, the contents of the lower 1-kbyte of the EEPROM are loaded into the device's shadow RAM. This not only allows attribute memory accesses to the CIS, but, it also provides defaults for 9 PCM16C010 specific registers to be loaded. This allows default loading of parameters that are transparent to system or device software. The best use is for the card manufacturer to determine what values these should be and program them into the EEPROM when the CIS is programmed. Either system software such as Card Services/Socket Services or device software may read and parse the CIS by accessing attribute memory on the PC Card. If desired, this software agent may write to the CIS or default EEPROM registers and, if desired, have these new values saved to the EEPROM. The actual contents of the CIS and the static registers is PC Card design dependent.

5.3 REGISTERS

5.3.1 PCM16C010 Specific Registers

These registers are defined specifically for National's PCM16C010 IC, allowing the PCM16C010 to perform its base functionality. These registers are not part of the PC Card Standard.

Pin Polarity Register [0x03E4]

This register sets the polarity of the card side interface signals.

D7	D6	D5	D4	D3	D2	D1	D0
CIOWR	CIORD	Unused	SRESET	BHE	MemIs8	Unused	CWAIT

CIOWR, CIORD—Sets the polarity of the CIOWR# and CIORD# pins respectively. A high indicates active high. The default polarity is active-low.

SRESET—Sets the polarity of the SRESET pin. When this bit is set to a zero (0), the output signal is asserted in the high (1) state. When this bit is set to a one (1), the output signal is asserted in the low (0) state. The bit default is zero (0), i.e. the SRESET signal is active high.

BHE—Sets the polarity of the BHE# pin. A high indicates active-high. The default polarity is active-low.

MemIs8—This bit is set to one (1) if common memory is organized for 8-bit access. This bit is set to zero (0) if common memory is organized for 16-bit access. The default value is zero (0). This information allows the PCM16C010 to properly access memory using the MEMWEH#, and MEMWEL#, signals.

CWAIT—When this bit is set to one (1), the PCM16C010 interprets this input signal active when it is low (0). When this bit is set to zero (0), the PCM16C010 interprets this input signal as active when it is high (1). The default bit value is zero (0), i.e. the CWAIT input signal is asserted high (1).

Unused—These bits are not used for operation of the PCM16C010. These bits must be set to zero (0) in the CIS for initialization and must not be changed from zero (0) to ensure proper operation of the card.

PMGR and Clock Register [0x03E6]

The Power Manager (PMGR) and Clock Register is used for controlling the PCNTL and FCLK pins for power management purposes.

Hardware power management is enabled using the Function Configuration Option Register's PMGMT_EN(D3) bit. Its use is intended for functions that can be sequenced on/off or into idle or sleep states with a quick (< 10 μs) response time when powered on again. That is, the function may use its CWAIT signal to extend a transaction that caused the PCM16C010 to turn it on. Use of the READY signal in a dynamic hardware power managed environment to set the RRdy/Bsy bits in order to achieve > 10 μs response times for power on is not guaranteed to work since system software may not inspect the RRdy/Bsy bit in all such instances.

5.0 Functional Description (Continued)

D7	D6	D5	D4	D3	D2	D1	D0
Unused	Unused	Unused	Unused	FCLKEN	DIV	PPOL	PCNTL

FCLKEN—If set, these enable the FCLK pin to receive a clock out. If clear, FCLK will be forced low. These are set and cleared by software if desired or statically loaded upon card power up from the EEPROM.

DIV—If set, the respective clock output from FCLK will be divided by 32 from the input clocks MCLK. If clear, the clock output FCLK will equal the respective clock input MCLK. These are set and cleared by software if desired or statically loaded upon card power up from the EEPROM.

PPOL—Sets the active polarity of the PCNTL signal such that the function is asserted. If PPOL is set to zero (0), PCNTL is asserted when in the high state. If set to one (1), PCNTL is asserted when in the low state. The default is set to zero (0), i.e. PCNTL defaults to active high.

PCNTL—This bit controls the PCNTL Pin. If hardware power management is not selected in the Function Configuration Option Register's Function Configuration Index, then this bit may be used as an output signal by software for general purposes. If the hardware power management configuration is selected, this bit is de-asserted (defined by PPOL) when the PCM16C010's CTERM counter expires. This bit will be asserted if a transaction occurs to the function through an I/O window or the function requests service by issuing a RI_IN(). In either strategy, software may always write and read back these bits. This bit defaults to zero (0) during power-on until the PMGR and Clock Register can be loaded from the EEPROM.

Unused—These bits are not used for operation of the PCM16C010. These bits must be set to zero (0) in the CIS for initialization and must not be changed from zero (0) to insure proper operation of the card.

CTERM Register [0x03E8]

This register is used to define the value of the function's power time-out counter. If the function's power time-out counter expires, the PCNTL bit for the function in the PMGR and Clock Register is de-asserted. This will occur if a function is in-active long enough for its power time-out counter to expire. Active is defined as having either an I/O access from the host or receiving a RI_IN()#. Devices that may operate for long periods of time without a host I/O access should follow a software controlled power management strategy that uses the PwrDn bits in the Function Configuration Status Register.

D7-D0
N = Time-Out Counter Terminal Count Value

The function's terminal counter is 8 bits wide and counts at a rate of $MCLK(0)/(2^{17})$. For example, if the MCLK frequency is 30 MHz the device can be programmed to time-out between 0.0s to 1.114s. The general formula is:

$$\text{Time} = (1/\text{mclk}) * 2^{17} * N,$$

where N = {0, 1, 2, . . . , 255}

For a 5 MHz MCLK frequency, the equation is:

$$\text{Time} = N (26.2144 \text{ ms}) \text{ where } N = \{0, 1, 2, \dots, 255\}$$

Note: A value of zero implies the function is powered down.

Miscellaneous Register [0x03F0]

D7	D6	D5	D4-D0
FastEE	RFU	RFU	EEPROMStartAddr

FastEE—If this bit is set to one (1), then the clock used to access the EEPROM shall be MCLK/2. If this bit is set to zero (0), the clock used to access the EEPROM shall be MCLK/32.

EEPROMStartAddr—This field contains a starting address for EEPROM read or write access. This is ordinarily set to zero and is used for debug/test purposes.

Wait State Timer Register [0x03F6]

This register allows the insertion of default wait states from the PCM16C010 using HWAIT#. It is intended to be used in situations where either the function is too slow to respond with a CWAIT or the unique wait timing constraints between the system and PC Card design necessitate a default wait state.

D7-D4	D3-D2	D1-D0
Reserved	Unused	Func0Wait

Func0Wait—This value is the number (0, 1, 2, or 3) of MCLK time periods that the PCM16C010 will assert HWAIT# during a valid access to a particular function. For Zero wait states, program this value to 00b.

NAND Flash (NM29N16) Configuration Register [0x03F8]

D7-D4	D3	D2	D1	D0
Reserved	mem_io_space	NAND_IOCS16	BC	NAND_EN

mem_io_space—Mem_io_space selects whether NAND Read/Write strobes are generated by accesses to common memory space or I/O space. When Function 0 is configured for NAND Flash (NM29N16) Mode, if mem_io_space is set to 0, NAND (NM29N16) Read/Write strobes are generated by an I/O access to the function 0 base address + 4. If mem_io_space is set to 1, Read/Write strobes are generated by any read/write access to common memory.

NAND_IOCS16—When the Function is configured for NAND Flash (NM29N16) Mode, D2 replaces the external pin IOCS16# to allow the host to know if the NAND (NM29N16) is organized for 8- or 16-bit accesses. If the Function is NOT configured for NAND Flash (NM29N16) Mode, the bit performs no function. This register gets downloaded during EEPROM reads.

BC—If set to zero (0), PCM16C010 will assert only one of the four external CE# pins at a time, (based on the value of bits D0 and D1 in the Device Select Register), allowing up to four unique enable control lines. If set to one (1), PCM16C010 will place on the external CE# lines the exact binary number placed in bits D0-D3 of the Device Select Register. This will allow external decoding to produce up to 15 unique CE# control lines which can control up to 30 pairs of NAND Flash (NM29N16) devices. (Reference table in Section 5.4.4 for details.)

5.0 Functional Description (Continued)

NAND_EN—This bit, if set to one (1), configures the function as a NAND Flash (NM29N16) interface (see Section 5.4.4 for specific function details). If set to zero (0), the function assumes normal I/O interface functionality.

Watchdog Time-Out Register [0x03FC]

D7	D6	D5–D0
RFU	Wait_Tout Enable	RFU

Wait_Tout Enable—When this bit is set to a one (1), the HWAIT# time-out watchdog timer is enabled. In addition, the ability to set *Intr* in the Function Configuration Option Register, *Intr* in the Card Configuration Register, and IREQ# is enabled once the watchdog timer expires. The watchdog timer may expire if HWAIT# is asserted for more than approximately 11.2 μ s when MCLK is set to 20 MHz. This prevents the system from hanging due to prolonged HWAIT# assertions. If this bit is reset to zero (0), Wait_Tout and its associated interrupt capability is disabled during HWAIT# assertions.

ID Register [0x1000]

This read only register provides the software with IC revision information.

D7–D3	D2–D0
PCM16C010 Code = 00010b	Revision Code = 001b

NSC PCM16C010 Code—This code may be used to identify the NSC PCM16C010 IC. The value of bits D7–D3 of this register is 00010, which when appended to the three bits of the revision code produce: 00010 xxx; which is 1x hex.

Revision Code—This will uniquely identify the silicon version of the PCM16C010 IC as 001b.

EEPROM Access

In order to avoid accidental EEPROM overwrite, the PCM16C010 utilizes two registers that must be written with the proper byte sequence in order to enable EEPROM writes. In order to initiate an EEPROM write, the following register write sequence must be executed:

Register	Attribute Register Address	Hex Data
EE Control Reg	1002	2E
EE Security Reg	1004	B7
EE Control Reg	1002	91

Failure to initiate the exact sequence will disable writes regardless of the value placed in the WriteEEPROM or EEPROMWriteEn bits of the EEPROM Control Register.

EEPROM Control Register [0x1002]

This register (in conjunction with the EEPROM Security Register for writes) controls reading and writing the EEPROM as well as the EEPROM enable.

D7	D6	D5–D1	D0
WriteEEPROM	ReadEEPROM	Reserved	EEPROMWriteEn

WriteEEPROM—When set, this tells the EEPROM controller to copy the contents of the PCM16C010 Shadow RAM to the EEPROM, provided the proper write security sequence listed above has been executed. Once the EEPROM write has completed, the EEPROM controller clears this bit.

ReadEEPROM—When set, this tells the EEPROM controller to copy the contents of the EEPROM to the shadow RAM. Once done, the EEPROM controller clears this bit. Any data modified in the Shadow RAM that has not first been written back to the EEPROM will be lost. The EEPROM may be read independent of the value in the EEPROMWriteEnable bit.

EEPROMWriteEn—This must be set to allow EEPROM writes. If clear, the EEPROM may not be written. The default value at reset is low. The EEPROM may be read independent of the value of this bit.

Note 1: Upon power-up, the PCM16C010 EEPROM controller copies the entire contents of the lower 1 kbytes of the EEPROM into the Shadow RAM independent of writing to the EEPROM Control Register.

Note 2: The PCM16C010 EEPROM controller stores data in a 16-bit organized EEPROM in low/high format. Although Attribute Memory is on even byte boundaries only, the entire EEPROM's address space is used. This eliminates waste of EEPROM memory. Therefore the Attribute space used by the Shadow RAM is double the actual size of the EEPROM. For example, if a 16-bit EEPROM is pre-programmed, the low byte at word 0 in the EEPROM will be shadowed at Attribute location 0x0000 and the high byte will be shadowed at Attribute location 0x0002. The low byte at EEPROM word 1 will be shadowed to Attribute location 0x0004, etc.

EEPROM Security Register [0x1004]

This register in conjunction with the EEPROM Control Register is used to prevent accidental EEPROM overwriting. When written in the proper sequence as outlined above with hex data B7, it allows EEPROM write access.

5.3.2 PC Card Register

Function Configuration Option Register

[0x1020]

D7	D6	D5–D0
SRESET	LeviREQ	Function Configuration Index

5.0 Functional Description (Continued)

SRESET—If the host sets this field to one (1), the PCM16C010 shall place the given function in the reset state. When the host returns this field to zero (0), the function shall enter the same unconfigured, reset state as it does following a power-up and hardware reset. Note that SRESET does not reset the PCM16C010 thus the Attribute memory is not reloaded.

LevlREQ—When the PCM16C010 is being used as a PC Card I/O interface and this field is set to one (1), the PCM16C010 shall generate Level Mode interrupts for the function using the IREQ# signal. If the PCM16C010 is being used as a PC Card I/O interface and this field is set to zero (0), the PCM16C010 shall generate Pulse Mode interrupts for the function. Use of Level Mode interrupts is strongly recommended. The PCM16C010 will also only allow a write to the LevlREQ bit value to change the interfaces Interrupt level mode if the given function is configured using ConfFunc and interrupts are enabled using EnblREQ.

In addition, the PCM16C010 provides an enhanced interrupt protocol scheme described by the IntrReset bit in the Function Configuration Status Register. Function configurations may use Level Mode or Pulse Mode interrupt schemes. Pulsed Mode interrupt width is given by:

$$TwidthIREQ = 16/(FreqMCLK(0))$$

Using MCLK from 5 MHz–30 MHz will insure pulse widths from 0.53 μ s–3.2 μ s which exceed the 0.5 μ s minimum requirement for the PC Card Standard.

Function Configuration Index—When the host system sets this field to the value of the Configuration Entry Number field of a Configuration Table Entry Tuple, the function shall enter the configuration described by that tuple. This field shall be reset to zero (0) by the PCM16C010 when the host sets the SRESET field to one (1) or the host asserts RESET. If this field is set to zero (0) explicitly by the host or implicitly by SRESET or RESET, the function shall use the Memory Only interface and I/O cycles from the host shall be ignored by the function.

The following configurations are supported by the Function Configuration Index.

ConfFunc (D0)—If this is set to one (1), then the PC Card is configured for that function.

EnbBase__Limit (D1)—If this is set to a one (1), the base and limit register pair for the function is enabled. That is, the PCM16C010 will only pass I/O transactions whose address falls within the I/O window specified by the base and limit pair. If this is set to a zero (0), the PCM16C010 will not test transactions' addresses against the base and limit pair for

that function and will, therefore, pass all I/O transactions to the function. For function operation, the EnbBase__Limit would be enabled for operation with host controllers that support overlapping windowing and the INPACK# signal. For host controllers that do not support INPACK# but are capable of windowing granularity required for the function, EnbBase__Limit may be set to zero (0) so that all I/O transactions are passed to the function.

EnblREQ (D2)—When the PCM16C010 is being used as a PC Card I/O interface and this field is set to one (1), the PCM16C010 shall enable this function to interrupt the host using the IREQ# signal. Normally this bit would be set to one (1). In environments where the function's software driver will use a polling technique for status information, this bit could be set to zero (0) to disable interrupts from that function.

PMGMT__EN (D3)—This bit, if set to a one (1), enables the hardware power management controller to control the PCNTL pin for that function. See the PMGR and Clock Register description.

TEST__MODE(D4)—The TEST__MODE bit *MUST* be set to zero (0) for the function to operate in the normal I/O mode (default state). TEST__MODE is for NSC factory use only. Normal card functionality is not guaranteed in TEST__MODE.

(D5) is reserved.

Function Configuration Status Register

[0x1022]

These PC Card registers are used for function control/status information.

D7	D6	D5	D4	D3	D2	D1	D0
Changed	SigChg	IOIsB	Reserved	Audio	PwrDn	Intr	IntrReset

Changed—If one or more of the state change signals in the Function Pin Replacement Register are set to one (1), the PCM16C010 shall set this field to a one (1). If the PCM16C010 is being operated as a I/O interface, (PC Card using I/O Interface), and both the Changed and SigChg fields are set to one (1), the PCM16C010 shall assert the STSCHG# signal. If the PC Card, and hence PCM16C010, is not using the I/O interface, this field is undefined and ignored.

SigChg—This field serves as a gate for asserting the STSCHG signal. If the PCM16C010 is operated as an I/O interface, and both the Changed and SigChg fields are set to one (1), the PCM16C010 shall assert the PC Card STSCHG# signal. If the PCM16C010 is operated as an I/O interface and this field is reset to a zero (0), the

5.0 Functional Description (Continued)

PCM16C010 shall not assert the STSCHG# signal. If the PCM16C010 is not operated as an I/O interface, this field is undefined and should be ignored.

IOis8—When the host can only provide I/O cycles with an 8-bit D0–D7 path, the host shall set this bit to a one (1). The card is guaranteed that accesses to 16-bit registers will occur as two byte accesses rather than a single 16-bit access. This information is useful when 16-bit and 8-bit registers overlap.

Audio—Sampling of the signal SPK_IN and control of SPKR# is accomplished using the Audio bit. SPKR# will equate to SPK_IN anytime either of the Audio bits is set to one (1) and the function is configured.

PwrDn—When the host sets this field to one (1), the PCM16C010 shall set the given function to a power-down state by de-asserting the PCNTL signal for that function. While this field is a one (1), the host shall not access the function on the PC Card. The host shall return this field to zero (0) before attempting to access the function. The system shall not place the card into a power-down state while the card's RDY/BSY# line is in the low (Busy) state. All input/output signals particular to the function are TRI-STATE.

Intr—If the function is requesting interrupt servicing (CINT asserted), the PCM16C010 shall set this field to one (1). The PCM16C010 shall reset this field to zero (0) when the interrupt request has been serviced (CINT de-asserted).

IntrReset—If IntrReset is set to zero (0), Intr shall be set to one (1) when an interrupt condition occurs and shall be reset to zero (0) when the interrupt condition has been serviced. A write to the Intr bit will do nothing. If IntrReset is set to one (1), Intr shall be set to one (1) when an interrupt condition occurs (CINT pin) and be cleared to a zero (0) when the interrupt (CINT pin) is serviced, however, a write of value zero (0) to the FCSR's Intr bit where IntrReset is set to one (1) shall cause the PCM16C010 to evaluate the CINT signal and generate another interrupt to the system if an interrupt is pending. Note that the write of zero (0) to FCSR's Intr bit where IntrReset is set to one (1) is an indication to the PCM16C010 that it must evaluate CINT and generate a specified pulse to the system on the IREQ line. This protocol will work in either pulse or level mode (state of aliased LevIREQ controlling IREQ# PC Card signal mode). Functions operate by asserting their CINT signal when an interrupt condition occurs. If interrupts are enabled for a given function, then that function's CINT pin, when asserted, may generate an interrupt within the PCM16C010.

If other interrupts are pending, the internal line remains asserted (and hence IREQ#). Since the standard PC compatible interrupt controller requires a positive edge to trigger an

interrupt, system software based on using the IntrReset protocol for the PCM16C010 may write a zero (0) to the Intr bit where IntrReset is set to one (1) after EOI processing is done. This will cause the PCM16C010 to generate a pulse on the IREQ# line if CINT is still asserted. In other words, if the internal line is still asserted at this point. If in pulse mode, this is a single pulse that goes high-low-high with at least 0.5 μ s low time. If in level mode, this pulse is a low-high-low pulse to trigger the interrupt controller and then remain low (IREQ# asserted) and be maintained low by the level mode interrupt. This protocol solves both the need for two positive edges during level mode interrupts when an interrupt occurs during an interrupt in-service and solves the need for separate-distinct pulse interrupts that do not overlap during two interrupt events close in time.

Function Pin Replacement Register

[0x1024]

This PC Card register replaces the signals missing from a PC Card Memory Card interface due to using the PC Card I/O interface.

D7	D6	D5	D4	D3	D2	D1	D0
CBVD1	CBVD2	CRdy/Bsy	CWProt	RBVD1	RBVD2	RRdy/Bsy	RWPProt

CBVD1, CBVD2—These bits are not implemented.

CRdy/Bsy—This bit is set to one (1) when RRdy/Bsy bit changes state. The value of 02h must be written to the Pin Replacement Registers in order to clear the CRdy/Bsy bit.

CWProt—This bit is not implemented.

RBVD1, RBVD2, RRdy/Bsy, RWPProt—Only RRdy/Bsy is implemented. This bit reflects the state of the function's READY input pin on the PCM16C010.

Function I/O Event Register

[0x1028]

D7–D5	D4	D3–D1	D0
Reserved	RIEvt	Reserved	RIENAB

RIEvt—PCM16C010 latches a one (1) to the Card I/O Event Register's RIEvt bit when RI_IN# pin is asserted provided the RIENab bit is set. The value of 10h must be written to the I/O Event Register in order to clear the RIEvt bit (D4).

RIENab—When this bit is set to a one (1), a latched value of one (1) on the RIEvt bit shall cause the Changed bit in the Function's Configuration Status Register to be set to a one (1).

Function Base Address Register

[0x102A–0x102C]

The base address for the function is comprised of 4 bytes (13 bits implemented) that specify the base I/O address from which to begin decoding for chip selection of a particular function.

Base A Register

D7–D0
Byte 0 (Base Address bits 7–0) of 13-bit Address

This register comprises the low 8 bits of the base address for the Function I/O decode selection.

5.0 Functional Description (Continued)

Base B Register

D7-D0
Byte 1 (Base Address bits 12-8) of 13-bit Address

This register comprises the next 5 bits of the base address for the Function I/O decode selection. Note that PCM16C010 has a maximum I/O address decode space of 8k (13 address lines decoded).

Base C Register

D7-D0
Byte 2

This register is unused in the PCM16C010.

Base D Register

D7-D0
Byte 3

This register is unused in the PCM16C010.

Using Base A and Base B Registers for each function supported by the PCM16C010 allows a 13-bit base address to be specified for I/O decoding.

Function Limit Address Register [0x1032]

The value placed in this register is a bit mask used to indicate which address bits the PCM16C010 will not decode. A value of one (1), indicates that the PCM16C010 will not decode the corresponding address line. A value of zero (0) indicates the PCM16C010 shall decode the corresponding address line. For proper operation, only contiguous sequences of ones (1) starting at bit 0 and moving leftward are allowed. For example, 00001001 is illegal whereas 00000111 is legal. This implies that the window size must be equal to a value of 2 raised to a integer power.

D7-D0
Limit Address Size

The following Limit Address Size values are legal and correspond to a particular I/O address decoding window size.

Limit Address Size Value	Window Size
0000 0000	NULL. Do not pass any I/O transactions to function unless base and limit checking is disabled in the function's COR.
0000 0001	2 bytes
0000 0011	4 bytes
0000 0111	8 bytes
0000 1111	16 bytes
0001 1111	32 bytes
0011 1111	64 bytes
0111 1111	128 bytes
1111 1111	256 bytes

Note: The window created using the Base Register in conjunction with the Limit Register is naturally aligned to the size of the window (as specified by the Limit Register) and not to the value programmed in the Base Register.

For example:

Base Register	Limit Register	Window Range	Aligned to Base
0374h	07h	0370h-0377h	No
03F8h	07h	03F8h-03FFh	Yes

5.4 LOGIC DESCRIPTIONS

5.4.1 I/O Card Interface Logic for PC Card Host I/O Accesses

This block of logic generates card-side bus control and the appropriate chip-select signal based on the inputs from the PC Card host bus. The block's main function is I/O address decoding and operates with the PC Card Standard. The Function's Base Register and Function Limit Register determine the location and size of the I/O window. Once set up, only PC Card accesses to the given function's I/O window will be passed to the device. All control signals are generated for the device for both read and write transactions.

When a function is not selected, CIORD# and CIOWR# are forced to the de-asserted state. The chip select CS# is held de-asserted for that port as well. Once a valid PC Card access (read or write) occurs, the control and chip select signals become active.

The condition for an I/O read when a valid address is decoded is:

$$\text{CIORD\#} = \text{HIORD\#} + \text{REG\#} + (\text{CE1\#} * \text{CE2\#})$$

The condition for an I/O write when a valid address is decoded is:

$$\text{CIOWR\#} = \text{HIOWR\#} + \text{REG\#} + (\text{CE1\#} * \text{CE2\#})$$

5.4.2 EEPROM INTERFACE

The PCM16C010 Attribute memory is stored in an external serial CMOS EEPROM that uses the MICROWIRE protocol. Connection to the EEPROM is accomplished using standard serial EEPROM interface. The PCM16C010 is compatible with 16-bit EEPROM data organizations. Data transfer is synchronized using the EESK signal whose frequency is equal to MCLK/32. (This allows $f_{\text{EESK}} = 937.5 \text{ kHz}$ using f_{MCLK} of 30 MHz. Most industry standard EEPROMs specify a maximum clock frequency of 1 MHz.) Data on EEDI/EEDO is latched on the rising edge of EESK. EESK is only generated when the EEPROM is accessed, otherwise it is low. Muxing EEDI with EEDO on the PCM16C010 allows the DI and DO pins on the National NM93C86 EEPROM to be tied together, however, it is recommended that a resistor be placed between pins DI and DO on the serial EEPROM to reduce noise (refer to NSC Memory Databook Apps. Note AN-758, Figure 6).

Read access to the EEPROM is accomplished after a reset or power-up sequence. The PCM16C010 will not allow any accesses to the attribute memory (by asserting IREQ# to act as a PC Card busy signal) until the EEPROM has been read and placed in the shadow RAM attribute space on the PCM16C010 IC. Once the read sequences are completed, IREQ# will be de-asserted and the host will be allowed to access the attribute memory space.

Note: Until the PCM16C010 is configured, which requires the EEPROM be read, it is in a memory only interface. During this time, IREQ# is defined as RDY/BSY#.

5.0 Functional Description (Continued)

In order to avoid accidental EEPROM overwrite, the PCM16C010 utilizes two registers that must be written with the proper byte sequence in order to enable EEPROM writes. In order to initiate an EEPROM write, the following register write sequence must be executed:

Register	Attribute Register Address	Hex Data
EE Control Reg	1002	2E
EE Security Reg	1004	B7
EE Control Reg	1002	91

The PCM16C010 will then write the contents of the Shadow RAM into the EEPROM. Older data in the EEPROM is lost. During the write back, no accesses to attribute memory are allowed. The EEPROM write back cycle consists of three sequential operations: write enable, write, write disable. The PCM16C010 will not initiate write back from the Shadow RAM to the EEPROM during a power down condition. Any modification to the CIS to be saved requires the system to initiate a write back.

All EEPROM read/write operations follow a similar sequence: a start bit, some op code, address and data bits. Prior to any operation, EECIS is set high. If the RESET signal is pulsed, EEPROM writes are immediately disabled.

EEPROM reads can be initiated by simply setting the ReadEEPROM bit (D6), regardless of the state of any other bits in the EEPROM Control Register (0x1002). In order to initiate EEPROM writes, however, the Write Enable sequence listed above must be executed. Simply setting the WriteEEPROM and EEWriteEnable bits in EEPROM Control Register won't initiate a write.

5.4.3 Power Management

The PCM16C010 supports a hardware power management strategy. This allows the device to switch power on and off based on the activity of the function. The function has a time-out counter set using the CTERM Register. If there has been no PC Card Host activity to the functions I/O window and no ring indicate occurs, the function will be powered down. This is done by de-asserting the PCNTL bit (based on its programmed polarity) in the PMGR and Clock Register. Any activity from the function will cause the PCM16C010 to assert these bits to provide full power to the function and start the clocks. If this activity was a host transaction, the PCM16C010 will assert HWAIT# for the target function until the PCM16C010 asserts the PCNTL signal to power on the function and for 8 FCLK's. This gives the function 8 FCLKs to either power on and respond or at least begin asserting its CWAIT line. Wake-up activity could be defined as a PC Card transaction to the device, a RI_IN# if enabled, or a CINT if enabled.

The PCM16C010 can operate in a V_{CC} range of 5.0V to 3.0V which allows the overall power consumption of the PCM16C010 to be reduced by operating the PCM16C010 in a 3.0V environment.

5.4.4 NAND Flash (NM29N16) Interface

The PCM16C010 supports NAND Flash (NM29N16) memory devices by allowing function 0 to be configured as a NAND Flash (NM29N16) interface. The Function can be configured as a NAND Flash (NM29N16) interface by setting bit D0 in the NAND Flash (NM29N16) Configuration Register to a one (1). Accesses to NAND Flash (NM29N16) devices are controlled through two (2) I/O addresses (base address and base address + 2) for the Command and Select registers. Read/Write strobes are accessed through either common memory space or I/O space based on the value placed in the NAND Flash (NM29N16) Configuration Register bit D3 (mem_io_space). In order to support the I/O addresses, a minimum I/O window space of 8 bytes must be opened. Regardless of which address is chosen for the base address for function 0, the base address, base address + 2, and base address + 4 (if enabled) are dedicated for NAND Flash (NM29N16) control interface support. The detailed function of the I/O address ports and the common memory read/write port is listed below.

The following NAND (NM29N16) registers are active only when the Function is configured for NAND Flash (NM29N16) mode (bit D0 of the NAND Flash (NM29N16) Config. Register is set to one (1)).

NAND (NM29N16) Command Register [I/O window base address]

D7	D6	D5-D3	D2	D1	D0
Rdy/Bsy#	CRdy/Bsy#	RFU	CLE	ALE	CE

Rdy/Bsy#—This bit reflects the real-time state of the function's Rdy/Bsy# pin when in NAND Flash (NM29N16) mode.

CRdy/Bsy#—This bit is latched to a one (1) when Rdy/Bsy# changes state. It can be cleared by writing the value of 02h to the Pin Replacement Register (address 0x1024).

CLE—This bit directly drives the state of the external CLE pin in NAND (NM29N16) Mode. When bit D2 is asserted (1), the CLE pin is driven high. Likewise when bit D2 is de-asserted, the CLE pin is driven low.

ALE—This bit directly drives the state of the external ALE pin in NAND (NM29N16) Mode. When bit D1 is asserted (1), the ALE pin is driven high. Likewise when bit D1 is de-asserted, the ALE pin is driven low.

CE—When the CE bit (D0) is high, chip enable assertions are passed to the four CE# pins according to the state of the BC bit in the NAND Flash (NM29N16) Config. Register and the values of bits D0-D4 in the Device Select Register (reference Table 5-2).

When the CE bit is low, all four CE_NAND()#pins are forced high regardless of the state of BC or the values placed in Device Select Register. Because of this, it is illegal to decode the pin condition CE_NAND(3:0)# = 1111 as a valid enable.

5.0 Functional Description (Continued)

Device Select Register [I/O window base address + 2]

Bits D0–D3 of the Device Select Register are used to assert specific CE # pins per the function table listed below.

D7–D4	D3	D2	D1	D0
RFU	n3	n2	n1	n0

NAND (NM29N16) Read/Write Enable STROBE

[I/O window base address + 4]
*OR Any Common Memory Access]

The RE/WE Enable Strobe allows RE# and WE# assertions to be generated whenever the following conditions are present:

*MEMORY SPACE ACCESS

If NAND Flash (NM29N16) Configuration. Register (03F8) bit D0 (NAND_EN) is set High and bit D3 (mem_io__space) is set High:

RE# = (HOE# = L) and (REG# = H)

WE# = (HWE# = L) and (REG# = H)

*I/O SPACE ACCESS

If NAND Flash (NM29N16) Configuration. Register (03F8) bit D0 (NAND_EN) is set High and bit D3 (mem_io__space) is set Low:

RE# = (Func. 0 base addr. + 4) and (REG# = L)
and (HIORD# = L)

WE# = (Func. 0 base addr. + 4) and (REG# = L)
and (HIOWR# = L)

Command Register										NAND Flash (NM29N16) Config. Register											
bit 7	bit 6	bit 5	bit 4	bit 3	bit 2	bit 1	bit 0	bit 7-2	bit 1	bit 0	CE_NAND()# Function Table										
Rdy/Bsy#	CRdy/Bsy#	RFU	RFU	RFU	CLE	ALE	CE		BC	NAND_EN	CE_NAND										
Device Select Register										Nand Enabled											
bit 7	bit 6	bit 5	bit 4	bit 3	bit 2	bit 1	bit 0				(3)#	(2)#	(1)#	(0)#							
RFU	RFU	RFU	RFU	n3	n2	n1	n0														
<p>Note: If BC = 0, only one CE_NAND()# is enabled at a time. If BC = 1, CE_NAND()#'s reflect the binary representation of the selected NAND (NM29N16) (up to 15), that may be externally decoded. (See example below)</p>										X	X	X	X	None	0	0	1	1	1	1	1
				X	X	0	0	NAND 1	1	0	1	1	1	0							
				X	X	0	1	NAND 2	1	0	1	1	0	1							
				X	X	1	0	NAND 3	1	0	1	0	1	1							
				X	X	1	1	NAND 4	1	0	0	1	1	1							
				X	X	X	X	None	0	1	1	1	1	1							
				0	0	0	0	NAND 0	1	1	0	0	0	0							
				0	0	0	1	NAND 1	1	1	0	0	0	1							
				0	0	1	0	NAND 2	1	1	0	0	1	0							
				0	0	1	1	NAND 3	1	1	0	0	1	1							
				0	1	0	0	NAND 4	1	1	0	1	0	0							
				0	1	0	1	NAND 5	1	1	0	1	0	1							
				0	1	1	0	NAND 6	1	1	0	1	1	0							
				0	1	1	1	NAND 7	1	1	0	1	1	1							
				1	0	0	0	NAND 8	1	1	1	0	0	0							
				1	0	0	1	NAND 9	1	1	1	0	0	1							
				1	0	1	0	NAND 10	1	1	1	0	1	0							
				1	0	1	1	NAND 11	1	1	1	0	1	1							
				1	1	0	0	NAND 12	1	1	1	1	0	0							
				1	1	0	1	NAND 13	1	1	1	1	0	1							
				1	1	1	0	NAND 14	1	1	1	1	1	0							

TABLE 5-2. Functional Description of NAND Flash (NM29N16) Mode Register Set

TL/F/12147-6

5.0 Functional Description (Continued)

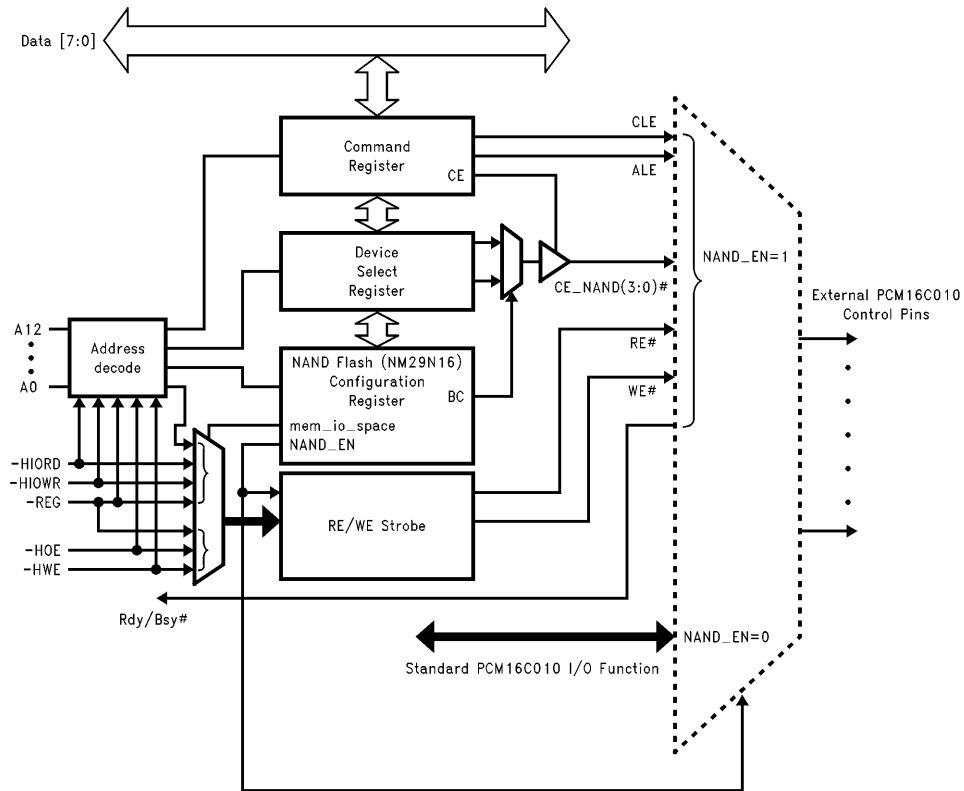
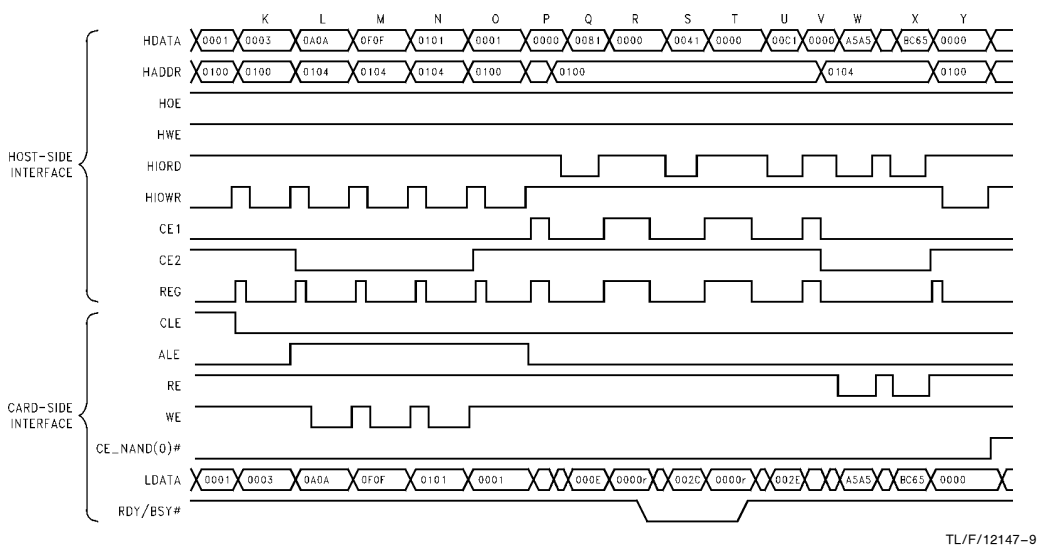
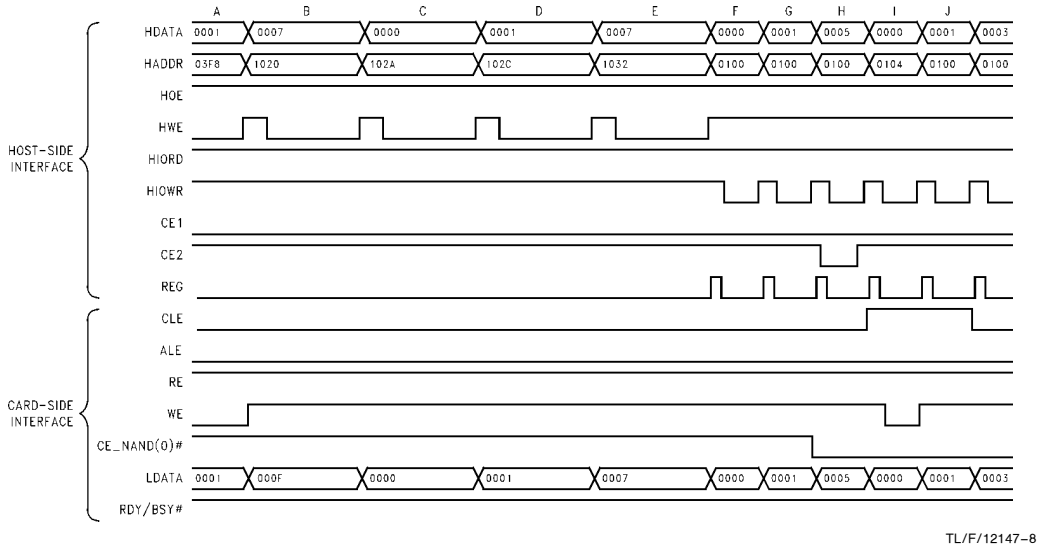


FIGURE 5-2. NAND Flash (NM29N16) Interface—Block Diagram

TL/F/12147-7

5.0 Functional Description (Continued)



Note: Based on two National NAND Flash NM29N16, connected to form a 16-bit word. Refer to National NAND Flash NM29N16 Datasheet.

FIGURE 5-3. Typical PCM16C010 to NAND Flash (NM29N16) Read to I/O Space Sequence; Timing Not Implied

5.0 Functional Description (Continued)

TABLE 5-3. Typical NAND Flash (NM29N16) Timing to I/O Space (See Figure 5-3)

Timing Period	HDATA (HEX)	HADDR (HEX)	Read Write	Destination or Source	Register	Operation
A	0001	03F8	Write	Attribute Memory	NAND Config.	Set NAND__EN, Function 0 NAND Flash Interface Enabled
B	0007	1020	Write	Attribute Memory	Function Config Option	Enable Function
C	0000	102A	Write	Attribute Memory	Function Base Address A	Set Address bits 7–0 to 0x00
D	0001	102C	Write	Attribute Memory	Function Base Address B	Set Address bits 12–8 to 0x01 (i.e., I/O Base Address = 0x0100)
E	0007	1032	Write	Attribute Memory	Function Limit Register	Set Window Size to 8 Bytes
F	0000	0100	Write	I/O Space	NAND Command Register	Clear NAND Command Register
G	0001	0100	Write	I/O Space	NAND Command Register	Set CE, CE(0) # __NAND goes low
H	0005	0100	Write	I/O Space	NAND Command Register	Drive CLE High (Begin Command Sequence)
I	0000	0104	Write	I/O Space	NAND Read/Write Strobe	Generate WE and Write Command 0x0000 to NAND Flash (Read Command)
J	0001	0100	Write	I/O Space	NAND Command Register	Drive CLE Low (End Command Sequence)
K	0003	0100	Write	I/O Space	NAND Command Register	Drive ALE High (Begin Address Sequence)
L	0A0A	0104	Write	I/O Space	NAND Read/Write Strobe	Generate WE and Write Byte Address 0x0A0A to NAND Flash
M	0F0F	0104	Write	I/O Space	NAND Read/Write Strobe	Generate WE and Write Page Address 0x0F0F to NAND Flash
N	0101	0104	Write	I/O Space	NAND Read/Write Strobe	Generate WE and Write Block Address 0x0101 to NAND Flash
O	0001	0100	Write	I/O Space	NAND Command Register	Drive ALE Low (End Address Sequence)
P	0000	0100	na	na	na	Bus Inactive
Q	0081	0100	Read	I/O Space	NAND Command Register	Read NAND Command Register, Verify that NAND Flash has not yet gone “busy”, i.e., Rdy/Bsy# High, CRdy/Bsy Low
R	0000	0100	na	na	na	Bus Inactive
S	0041	0100	Read	I/O Space	NAND Command Register	Read NAND Command Register, Verify that NAND Flash is in “busy” state, i.e., Rdy/Bsy# Low, CRdy/Bsy High
T	0000	0100	na	na	na	Bus inactive
U	00C1	0100	Read	I/O Space	NAND Command Register	Read NAND Command Register, Verify that NAND Flash is no longer “busy” but that busy event has occurred, i.e., Rdy/Bsy# High, CRdy/Bsy High
V	0000	na	na	na	na	Bus Inactive
W	A5A5	0104	Read	I/O Space	NAND Read/Write Strobe	Generate RE and Read Data 0xA5A5 from NAND Flash to Host.
X	BC65	0104	Read	I/O Space	NAND Read/Write Strobe	Generate RE and Read Data 0xBC65 from NAND Flash to Host.
Y	0000	0100	Write	I/O Space	NAND Command Register	Clear CE, CE(0) # __NAND goes High.

Note: NAND and NAND Flash refer to NAND Flash (NM29N16).

6.0 Operational Modes

6.1 INITIAL SETUP (RESET) AND CONFIGURATION

In order to set up the I/O windows, the Function Base Register and the Function Limit Register must be loaded. These registers are loaded with base address information gained from reading the TPCE_I/O field within the Card Configuration Table Entry Tuple (CISTPL_CFTABLE_ENTRY, 1Bh) in the CIS (Card Information Structure). This will allow the system software to configure the window and set the I/O address for the function. The software locates the Configuration Option Register based on address offset values stored in the TPCC_RADR field within the Configuration Tuple (CISTPL_CONFIG, 1Ah) in the CIS. Upon a subsequent read/write operation from the PC Card host to the current I/O window address, the PCM16C010 decodes for a match and then passes the appropriate data, address, and control signals to the appropriate function port. Note, the Attribute memory CIS is initially loaded from the EEPROM upon reset.

6.2 RESET CONDITIONS

When the device is reset using the reset pin, the following actions take place: First, the attribute memory CIS is reloaded from the EEPROM; The Function Configuration Option Register is reset to a value of 00 Hex; All other registers are set to their default values.

6.3 16-BIT/8-BIT OPERATION

During normal operation, the PCM16C010 will function as a 16-bit device. If 8-bit operation is desired (PC Card Host accesses are 8-bit), the PCM16C010 will pass the 8-bit transaction to the Function. With the common memory device, the PCM16C010 will check the Memls8 bit in the Pin Polarity Register. If Memls8 is clear (16-bit memory), the PCM16C010 will strobe MEMWEL# for 8-bit accesses on even address boundaries and MEMWEH# for 8-bit accesses on odd address boundaries. A 16-bit access causes both MEMWEL# and MEMWEH# to be strobed. If Memls8 is set (8-bit memory), the PCM16C010 will strobe MEMWEL# for 8-bit PC Card accesses on odd or even address boundaries. For 16-bit access, the PCM16C010 will only obtain one byte of data by strobing MEMWEL#.

6.4 SPECIAL TESTABILITY MODES

National Proprietary. TEST(0) pin should be left disconnected.

Software

System or device software can interact with the PCM16C010 IC directly using either the PCM16C010's PC Card registers, PC Card Extended registers, or PCM16C010 specific registers.

CIS (CARD INFORMATION STRUCTURE)

When the PCM16C010 powers on, the contents of the EEPROM are loaded into the device's shadow RAM. This not only allows attribute memory accesses to the CIS, but, it also provides defaults for 9 PCM16C010 specific registers to be loaded. This allows default loading of parameters that are transparent to system or device software. The best use is for the card manufacturer to determine what values these should be and program them into the EEPROM when the CIS is programmed. Either system software such as Card Services/Socket Services or device software may read and parse the CIS by accessing attribute memory on the PC Card. If desired, this software agent may write to the CIS or default EEPROM registers and, if desired, have these new values saved to the EEPROM. The actual contents of the CIS and the static registers is PC Card design dependent.

PC CARD REGISTERS

There is a set of standard PC Card Registers which includes the optional I/O Event Register. For a detailed description, see the register specifications in this document.

PC CARD EXTENDED REGISTERS

The function has a set of base and limit registers. The value placed in these registers by system software controls the I/O Addressing window for the function.

PCM16C010 SPECIFIC REGISTERS

There are two categories of PCM16C010 specific registers. The first set of registers are those specific registers that are automatically loaded from the EEPROM and should be transparent to system software. Even though software could be written to modify these registers, the most likely scenario would be the case where software performed macro time scale power management using the PMGR and Clock Register for software power management. The second set are those registers not stored in the EEPROM (such as the ID Register and EEPROM Control Register). These may be accessed by system software as desired using the attribute memory space.

INTERRUPT PROTOCOL

The interrupt protocol is defined in the Function Configuration Status Register descriptions. The selection of either mode is done using the IntrReset bit in the Function Configuration Status Register. Of course, either pulse or level mode interrupts may be selected. Once an interrupt occurs, the first system software to be called is the interrupt handler.

System software is responsible for writing a zero (0) to the PCM16C010's Intr bit in the FCSR once interrupt processing is done if the PCM16C010 is using enhanced interrupts (IntrReset is set to one (1)). This informs the PCM16C010 that it may generate another interrupt, if one is pending, that will be recognized by the PC-compatible interrupt controller in either pulse or level mode.

Absolute Maximum Ratings (Note 1)

If Military/Aerospace specified devices are required, please contact the National Semiconductor Sales Office/Distributors for availability and specifications.

Supply Voltage (V_{CC})	-0.5V to 7.0V
DC Input Current (I_{IK})	
$V_I = -0.5V$	-20 mA
$V_I = V_{CC} + 0.5V$	+20 mA
DC Input Voltage (V_I)	-0.5V to $V_{CC} + 0.5V$
DC Output Current (I_{OK})	
$V_O = -0.5V$	-20 mA
$V_O = V_{CC} + 0.5V$	+20 mA
DC Output Voltage (V_O)	
$V_O = -0.5V$	-0.5V to $V_{CC} + 0.5V$
$V_O = V_{CC} + 0.5V$	
DC Output Source or Sink Current (I_O)	± 12 mA
DC V_{CC} or GND Current /output pin (I_{CC} or I_{GND})	± 6 mA
Storage Temperature (T_{STG})	-65°C to +150°C
Junction Temperature (T_J)	140°C

Note 1: Absolute maximum ratings are values beyond which the device may be damaged or have its useful life impaired. The databook specifications should be met, without exception, to ensure that the system design is reliable over its power supply, temperature, and output/input loading variables. National does not recommend operation outside these specifications.

Recommended Operating Conditions

Supply Voltage (5.0V V_{CC})	4.75V to 5.25V
Supply Voltage (3.3V V_{CC})	3.00V to 3.60V
DC Input Voltage (V_I)	0.0V to V_{CC}
DC Output Voltage (V_O)	0.0V to V_{CC}
Operating Temperature (T_A)	0°C to +70°C
Minimum Input Edge Rate (dv/dt)	125 mV/ns

Reliability Requirements

Parameter	Conditions	Specification
Electro-Static Discharge	MIL-STD 883	2000V minimum
Latch-Up	MIL-STD 883	> ± 500 mA

DC Electrical Characteristics

Symbol	Parameter	V_{CC}	$T_A = 0^\circ\text{C to } +70^\circ\text{C}$		Units	Conditions
			Min	Max		
V_{IH}	Minimum High Input Voltage	5.25V 3.6V	2.4	2.0	V	
V_{IL}	Maximum Low Input Voltage	4.75V 3.0V		0.8 0.8	V	
V_{OH}	Minimum High Output Voltage	4.75V 3.0V	$0.9 V_{CC}$ $V_{CC} - 0.2$		V	$I_{OH} = -150 \mu\text{A}$
		4.75V 3.0V	2.8 2.4		V	$I_{OH} = -6$ mA (6 mA Outputs)
V_{OL}	Maximum Low Output Voltage	4.75V 3.0V		$0.1 V_{CC}$ 0.2	V	$I_{OL} = 700 \mu\text{A}$
		4.75V 3.0V		0.4 0.5	V	$I_{OL} = 6$ mA (6 mA Outputs)
I_{IN}	Maximum Input Leakage Current					
	Std. Input I_{IH} I_{IL}	5.25V		+1.0 -1.0	μA	$V_I = V_{CC}, \text{GND}$
	Input w/100k pullup I_{IH} I_{IL}	5.25V		+1.0 -50	μA	$V_I = V_{CC}, \text{GND}$
	Input w/100k pulldown I_{IH} I_{IL}	5.25V		+50 -1.0	μA	$V_I = V_{CC}, \text{GND}$

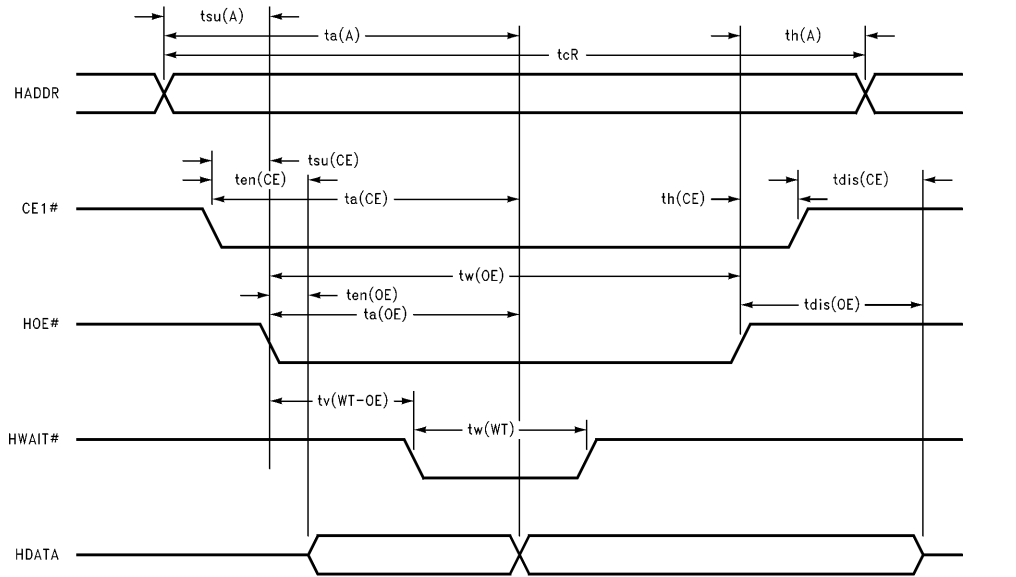
DC Electrical Characteristics (Continued)

Symbol	Parameter	V _{CC}	T _A = 0°C to +70°C		Units	Conditions
			Min	Max		
I _{OZ}	Maximum Output Leakage Current					
	TRI-STATE output w/10k pull-up I _{OZH} I _{OZL}	5.25V		+ 5.0 − 500	μA	V _O = V _{CC} , GND
I _{OZT}	Maximum I/O Leakage Current					
	Std. I/O I _{OZHT} I _{OZLT}	5.25V		+ 6.0 − 6.0	μA	V _{IO} = V _{CC} , GND
	I/O w/100k pulldown I _{OZHT} I _{OZLT}	5.25V		+ 50 − 6.0	μA	V _{IO} = V _{CC} , GND
I _{HOLD}	Minimum Hold Current (Only Outputs and I/O's with Bus Latch)	4.75V	75 − 75		μA	V _I = 0.8V V _I = 2.4V V _I = 0.8V V _I = 2.0V
		3.0V	32 − 32			
I _{SWITCH}	Maximum Hold Current Required for Bus Latch to switch	5.25V		± 650	μA	
		3.6V		± 400		
I _{OLD}	Minimum Dynamic Output Current	5.25V	20		mA	V _{OLD} = 30% V _{CC}
		3.6V	10			
I _{OHD}	Minimum Dynamic Output Current	5.25V	− 20		mA	V _{OHD} = 70% V _{CC}
		3.6V	− 10			
I _{CC}	Maximum Quiescent Supply Current	5.25V		2.0	mA	V _I = V _{CC} , GND
		3.6V		1.25		

Symbol	Parameter	V _{CC}	T _A = 25°C		Units	Conditions
			Typ			
I _{CC} T	I _{CC} per Input—Std. Input	5.25V	1.0		mA	V _I = V _{CC} − 2.1V V _I = V _{CC} − 0.6V
		3.6V	0.5			
I _{CC} D	Dynamic Power Supply Current	5.25V	6.5		mA	(Note 1)
		3.6V	4.0			

Note 1: The I_{CC}D (Typ) test conditions are to clock MCLK at 30 MHz and continuously exercise HADDR(12:0) with a sequential address pattern (0000 to 1FFF) at 4.0 MHz. These conditions represent the typical ISA/PC Card activity across the PC Card socket and simulate the most frequent operation of the card in a system. Note, the MCLK and the HADDR(12:0) inputs are driven at a 50% duty cycle with V_I at V_{CC} and 0.0V. All outputs are unloaded.

Timing Specifications and Diagrams



TL/F/12147-10

FIGURE 1. Attribute Memory Read Timing

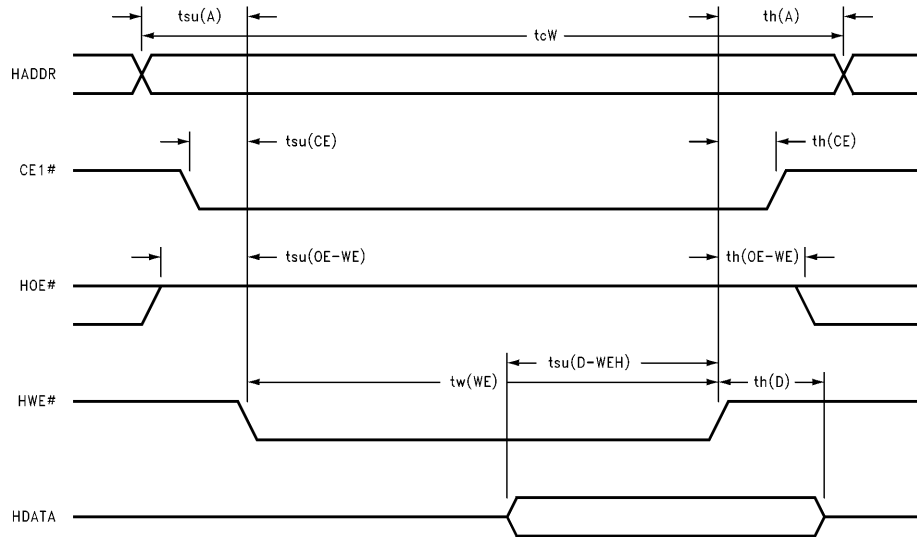
Timing Specifications and Diagrams (Continued)

Attribute Memory Read Timing Specifications (See Figure 1)

Symbol	Path	V _{CC} (V)	Commercial T _A = 0°C to +70°C		Units
			Min	Max	
tcR**	Read Cycle Time	4.75	300		ns
		3.0	300		
ta(A)**	Address Access Time	4.75	300		ns
		3.0	300		
ta(CE)**	CE1 Access Time	4.75	300		ns
		3.0	300		
ta(OE)	Output Enable Access Time	4.75	150		ns
		3.0	150		
tdis(OE)	Output Disable Time from HOE	4.75	100		ns
		3.0	100		
tdis(CE)	Output Disable Time from CE1	4.75	100		ns
		3.0	100		
ten(OE)**	Output Enable Time from HOE	4.75	5		ns
		3.0	5		
ten(CE)**	Output Enable Time from CE1	4.75	5		ns
		3.0	5		
tsu(A)	Address Setup Time to HOE Falling	4.75	30		ns
		3.0	30		
th(A)**	Address Hold Time from HOE Rising	4.75	20		ns
		3.0	20		
tsu(CE)**	CE1 Setup Time to HOE Falling	4.75	0		ns
		3.0	0		
th(CE)**	CE1 Hold Time from HOE Rising	4.75	20		ns
		3.0	20		
tv(WT-OE)	HWAIT Valid from HOE Falling	4.75	35		ns
		3.0	35		
tw(WT)**	HWAIT Pulse Width	4.75	12000		ns
		3.0	12000		
tw(OE)	HOE Pulse Width	4.75	60		ns
		3.0	70		

**Parameter guaranteed by design.

Timing Specifications and Diagrams (Continued)



TL/F/12147-11

FIGURE 2. Attribute Memory Write Cycle

Attribute Memory Write Cycle Specifications (See Figure 2)

Symbol	Path	V _{CC} (V)	Commercial T _A = 0°C to +70°C		Units
			Min	Max	
tcW**	Write Cycle Time	4.75	250		ns
		3.0	250		
tw(WE)	Write Enable Pulse Width	4.75	60		ns
		3.0	60		
tsu(A)	HADDR Setup Time to HWE Falling	4.75	30		ns
		3.0	30		
tsu(D-WEH)	HDATA Setup Time to HWE Rising	4.75	10		ns
		3.0	10		
th(D)	HDATA Hold Time from HWE Rising	4.75	15		ns
		3.0	15		
th(A)**	HADDR Hold Time from HWE Rising	4.75	20		ns
		3.0	20		
tsu(OE-WE)**	Output Enable Setup to HWE Falling	4.75	10		ns
		3.0	10		
th(OE-WE)**	Output Enable Hold from HWE Rising	4.75	10		ns
		3.0	10		
tsu(CE)**	CE1 Setup Time to HWE Falling	4.75	0		ns
		3.0	0		
th(CE)**	CE1 Hold Time from HWE Rising	4.75	20		ns
		3.0	20		

**Parameter guaranteed by design.

Timing Specifications and Diagrams (Continued)

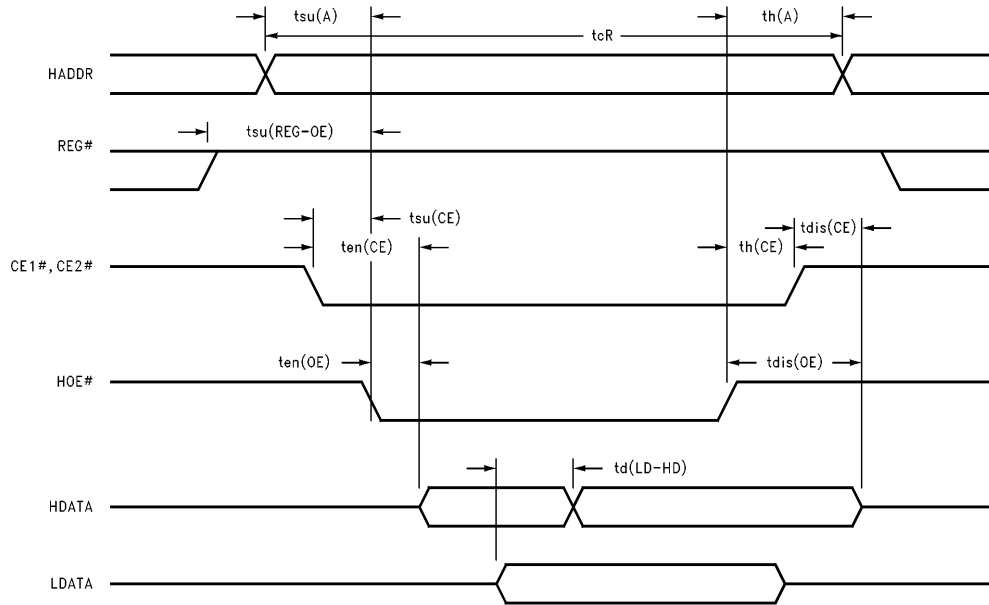


FIGURE 3. Common Memory Read Timing

TL/F/12147-12

Timing Specifications and Diagrams (Continued)

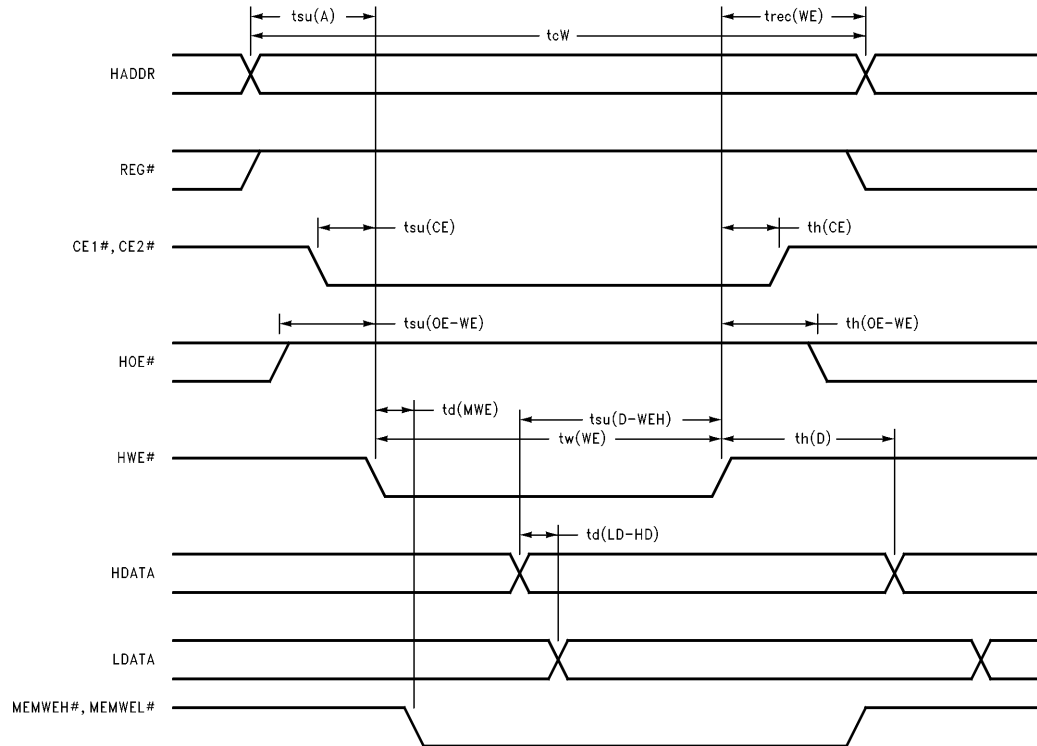
Common Memory Read Timing Specifications (See Figure 3)

Symbol	Path	V _{CC} (V)	Commercial T _A = 0°C to +70°C		Units
			Min	Max	
tcR**	Read Cycle Time (Note 1)	4.75	120		ns
		3.0	125		
ten(CE)**	Output Enable from CE Falling	4.75	5		ns
		3.0	5		
ten(OE)**	Output Enable from HOE Falling	4.75	5		ns
		3.0	5		
tsu(A)**	HADDR Setup Time to HOE Falling	4.75	10		ns
		3.0	10		
th(A)**	HADDR Hold Time from HOE Rising	4.75	15		ns
		3.0	15		
tsu(CE)**	CE Setup Time from HOE Falling	4.75	0		ns
		3.0	0		
th(CE)**	CE Hold Time from HOE Rising	4.75	15		ns
		3.0	15		
tdis(CE)	HDATA Disable from CE Rising	4.75		50	ns
		3.0		50	
tdis(OE)	HDATA Disable from HOE Rising	4.75		50	ns
		3.0		50	
td(LD-HD)	HDATA Delay from LDATA	4.75		20	ns
		3.0		25	
tsu(REG-OE)**	REG Setup to HOE Falling	4.75	5		ns
		3.0	5		

**Parameter guaranteed by design.

Note 1: The above Common Memory Read Timing Specifications apply only to 100 ns common memory devices. The Read Cycle Time (tcR) consist of 100 ns common memory device access time plus the td(LD-HD) delay through the PCM16C010VJG.

Timing Specifications and Diagrams (Continued)



TL/F/12147-13

FIGURE 4. Common Memory Write Timing

Timing Specifications and Diagrams (Continued)

Common Memory Write Timing Specifications (See Figure 4)

Symbol	Path	V _{CC} (V)	Commercial T _A = 0°C to +70°C		Units
			Min	Max	
tcW**	Write Cycle Time (Note 1)	4.75	115		ns
		3.0	115		
tw(WE)**	HWE Pulse Width	4.75	60		ns
		3.0	60		
tsu(A)**	HADDR Setup Time from HWE Falling	4.75	10		ns
		3.0	10		
tsu(D-WEH)**	HDATA Setup Time from HWE Rising	4.75	40		ns
		3.0	40		
th(D)**	HDATA Hold Time from HWE Rising	4.75	15		ns
		3.0	15		
trec(WE)**	Write Recovery Time	4.75	15		ns
		3.0	15		
tsu(OE-WE)**	HOE Setup from HWE Falling	4.75	10		ns
		3.0	10		
th(OE-WE)**	HOE Hold from HWE Rising	4.75	10		ns
		3.0	10		
tsu(CE)**	CE Setup Time from HWE Falling	4.75	0		ns
		3.0	0		
th(CE)**	CE Hold Time from HWE Rising	4.75	15		ns
		3.0	15		
td(MWE)	MEMWEH, MEMWEL Delay from HWE	4.75	20		ns
		3.0	20		
td(LD-HD)	LDATA Delay from HDATA	4.75	15		ns
		3.0	15		

**Parameter guaranteed by design.

Note 1: The above Common Memory Write Timing Specifications apply only to 100 ns SRAM common memory devices. Common memory devices such as OTPROM, EPROM and Flash do not have standard programming specifications. The Write Cycle Time (tcW) consist of 100 ns SRAM common memory device access time plus the td(LD-HD) delay through the PCM16C010VJG.

Timing Specifications and Diagrams (Continued)

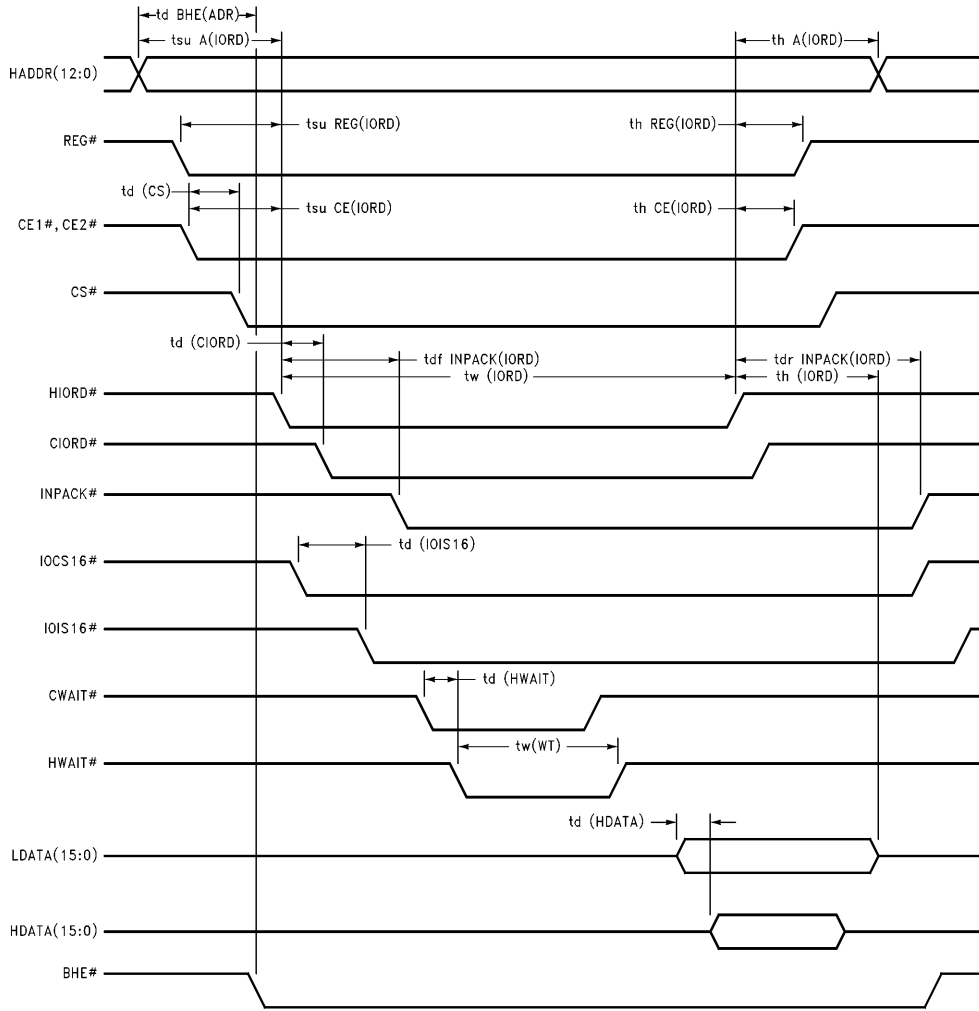


FIGURE 5. I/O Read Timing Specification

TL/F/12147-14

Timing Specifications and Diagrams (Continued)

I/O Read Timing Specifications (See Figure 5)

Symbol	Path	V _{CC} (V)	Commercial T _A = 0°C to +70°C		Units
			Min	Max	
tsu REG(IORD)**	REG Setup to HIODR Falling	4.75	5		ns
		3.0	5		
tsu CE(IORD)**	CE Setup to HIODR Falling	4.75	5		ns
		3.0	5		
tsu A(IORD)**	HADDR Setup to HIODR Falling	4.75	70		ns
		3.0	70		
tw (IORD)	HIODR Pulse Width	4.75	165		ns
		3.0	165		
tdf INPACK(IORD)	INPACK Delay from HIODR Falling	4.75	45		ns
		3.0	45		
tw(WT)**	HWAIT Pulse Width	4.75	12000		ns
		3.0	12000		
th A(IORD)**	HADDR Hold from HIODR Rising	4.75	20		ns
		3.0	20		
th REG(IORD)**	REG Hold from HIODR Rising	4.75	0		ns
		3.0	0		
th CE(IORD)**	CE Hold from HIODR Rising	4.75	20		ns
		3.0	20		
tdr INPACK(IORD)	INPACK Delay from HIODR Rising	4.75	45		ns
		3.0	45		
th(IORD)**	LDATA Hold from HIODR Rising	4.75	0		ns
		3.0	0		
td(CS)	CS Delay from CE Falling	4.75	20		ns
		3.0	30		
td(CIORD)	CIORD Delay from HIODR	4.75	25		ns
		3.0	35		
td(HDATA)	HDATA Delay from LDATA	4.75	20		ns
		3.0	25		
td BHE(ADR)	BHE Delay from HADDR	4.75	20		ns
		3.0	25		
td(IOIS16)	IOIS16 Delay from IOCS16 Falling	4.75	12		ns
		3.0	18		
td(HWAIT)	HWAIT Delay from CWAIT	4.75	25		ns
		3.0	30		

**Parameter guaranteed by design.

Timing Specifications and Diagrams (Continued)

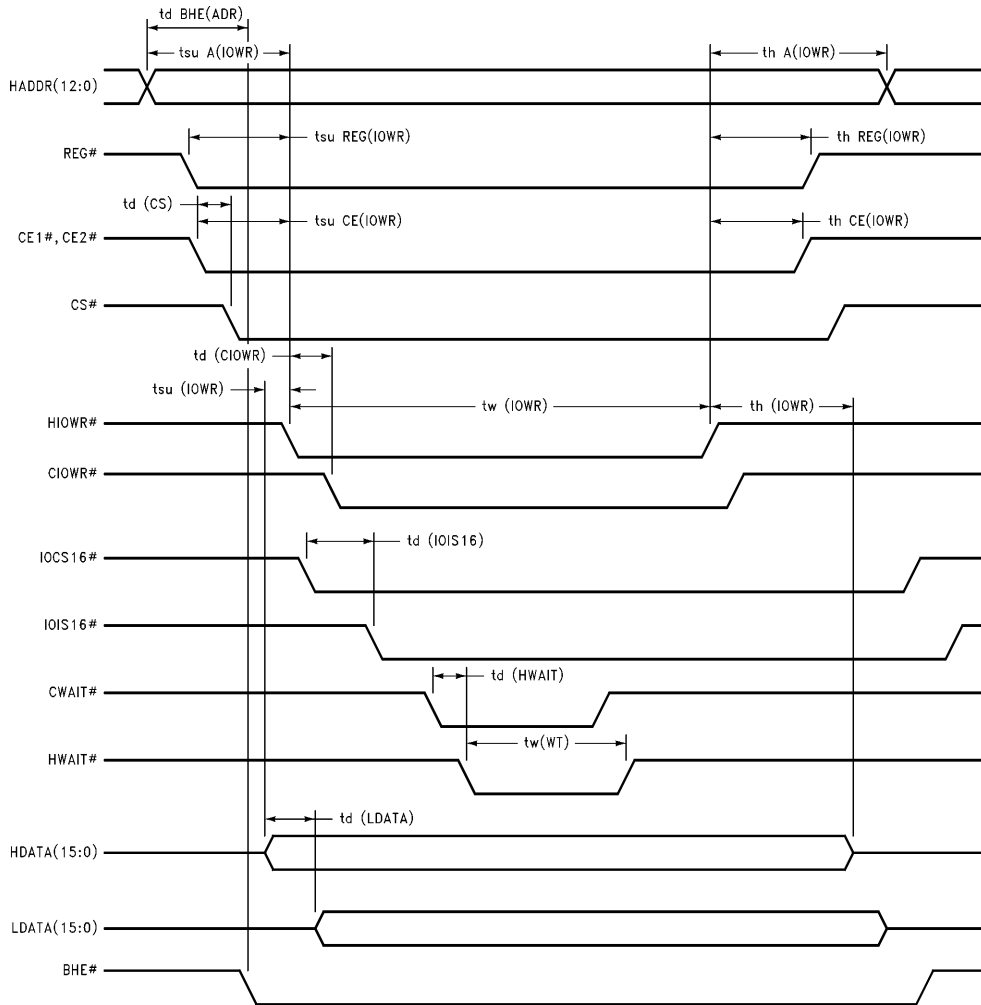


FIGURE 6. I/O Write Timing Specification

TL/F/12147-15

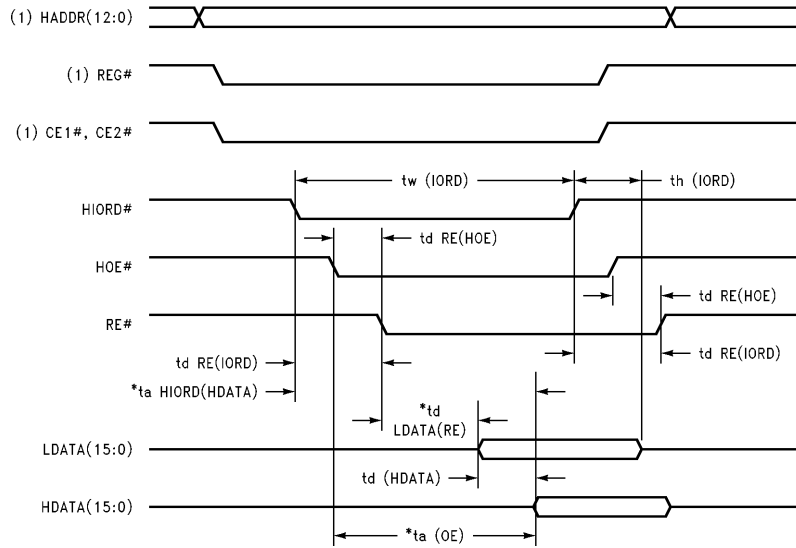
Timing Specifications and Diagrams (Continued)

I/O Write Timing Specifications (See Figure 6)

Symbol	Path	V _{CC} (V)	Commercial T _A = 0°C to +70°C		Units
			Min	Max	
tsu REG(IOWR)	REG Setup to HIOWR Falling	4.75	5		ns
		3.0	5		
tsu CE(IOWR)**	CE Setup to HIOWR Falling	4.75	5		ns
		3.0	5		
tsu A(IOWR)	HADDR Setup to HIOWR Falling	4.75	70		ns
		3.0	70		
tsu(IOWR)	HDATA Setup to HIOWR Falling	4.75	60		ns
		3.0	60		
tw(IOWR)	HIOWR Pulse Width	4.75	165		ns
		3.0	165		
tw(WT)**	HWAIT Pulse Width	4.75	12000		ns
		3.0	12000		
th A(IOWR)**	HADDR Hold from HIOWR Rising	4.75	20		ns
		3.0	20		
th REG(IOWR)**	REG Hold from HIOWR Rising	4.75	0		ns
		3.0	0		
th CE(IOWR)**	CE Hold from HIOWR Rising	4.75	20		ns
		3.0	20		
th(IOWR)**	HDATA Hold from HIOWR Rising	4.75	30		ns
		3.0	30		
td(CS)	CS Delay from CE Falling	4.75	20		ns
		3.0	25		
td(CIOWR)	CIOWR Delay from HIOWR Falling	4.75	25		ns
		3.0	30		
td(LDATA)	LDATA Delay from HDATA	4.75	15		ns
		3.0	15		
td BHE(ADR)	BHE Delay from HADDR	4.75	20		ns
		3.0	25		
td(IOIS16)	IOIS16 Delay from IOCS16 Falling	4.75	13		ns
		3.0	13		
td(HWAIT)	HWAIT Delay from CWAIT	4.75	25		ns
		3.0	30		

**Parameter guaranteed by design.

Timing Specifications and Diagrams (Continued)



TL/F/12147-16

Note 1: For HADDR(12:0), REG#, CE1# and CE2# timing specifications to HOE# or HIORD# refer to the Common Memory Read or I/O Read Timing Specifications.

Note 2: The NAND Flash Read Timing Specifications are based upon National's NM29N16, 16 MBit (2M x 8-Bit) CMOS NAND Flash EEPROM. The NAND Flash Read Timing Specifications are dependent on the NAND Flash Device.

FIGURE 7. NAND Flash (NM29N16) Read Timing Specification

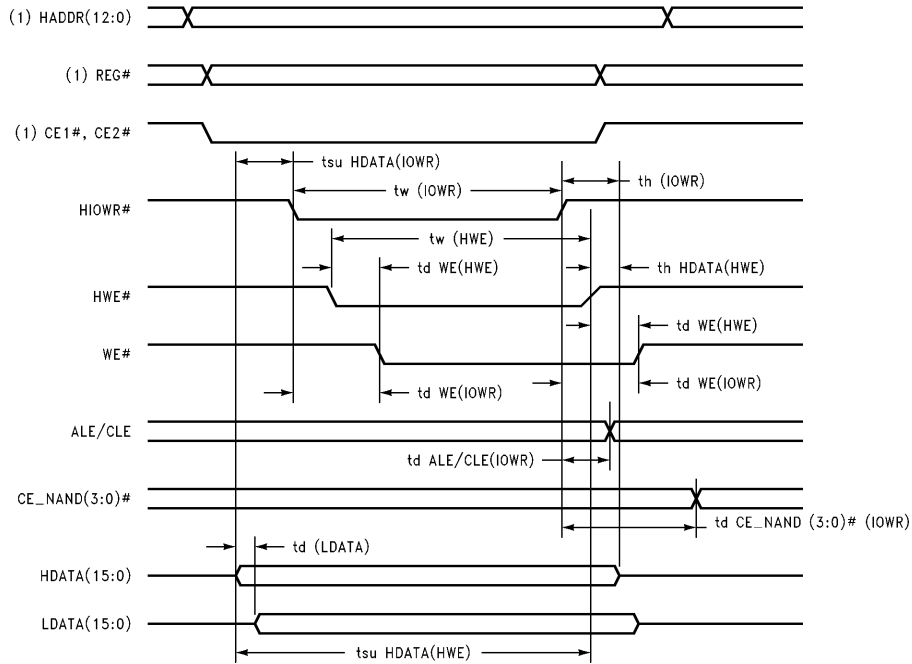
NAND Flash (NM29N16) Read Timing Specification (See Figure 7)

Symbol	Path	V _{CC} (V)	Commercial T _A = 0°C to +70°C		Units
			Min	Max	
tw(IORD)	HIORD Pulse Width	4.75	165		ns
		3.0	165		
taHIORD(HDATA)	HDATA Access from HIORD Falling	4.75		100*	ns
		3.0		100*	
th(IORD)**	LDATA Hold from HIORD Rising	4.75	0		ns
		3.0	0		
td(HDATA)	HDATA Delay from LDATA	4.75		20	ns
		3.0		25	
ta(OE)**	HDATA Access from HOE Falling	4.75		100*	ns
		3.0		100*	
td RE(IORD)	RE Delay from HIORD	4.75		18	ns
		3.0		25	
td RE(HOE)	RE Delay from HOE	4.75		12	ns
		3.0		16	
td LDATA(RE)	LDATA Delay from RE	4.75		45*	ns
		3.0			

*Based on Read Access Time of National's NM29N16.

**Parameter guaranteed by design.

Timing Specifications and Diagrams (Continued)



TL/F/12147-17

Note 1: For HADDR(12:0), REG#, CE1# and CE2# timing specifications to HWE# or HIOWR# refer to the Common Memory Write or I/O Write Timing Specifications.

Note 2: The NAND Flash Write Timing Specifications are based upon National's NM29N16, 16 MBit (2M x 8-Bit) CMOS NAND Flash EEPROM. The NAND Flash Write Timing Specifications are dependent on the NAND Flash Device.

FIGURE 8. NAND Flash (NM29N16) Write Timing Specification

Timing Specifications and Diagrams (Continued)

NAND Flash (NM29N16) Write Timing Specification (See Figure 8)

Symbol	Path	V _{CC} (V)	Commercial T _A = 0°C to +70°C		Units
			Min	Max	
tsu HDATA(IOWR)	HDATA Setup Time to HIOWR Falling	4.75	60		ns
		3.0	60		
tsu HDATA(HWE)**	HDATA Setup Time to HWE Rising	4.75	40		ns
		3.0	40		
th(IOWR)**	HDATA Hold from HIOWR Rising	4.75	30		ns
		3.0	30		
th HDATA(HWE)**	HDATA Hold Time from HWE Rising	4.75	30		ns
		3.0	30		
td WE(IOWR)	WE Delay from HIOWR	4.75		18	ns
		3.0		25	
td WE(HWE)	WE Delay from HWE	4.75		12	ns
		3.0		16	
td CE_NAND(3:0) # (IOWR)	CE_NAND(3:0) # Delay from HIOWR	4.75		27	ns
		3.0		32	
td ALE/CLE(IOWR)	ALE/CLE Delay from HIOWR	4.75		22	ns
		3.0		27	
tw (IOWR)	HIOWR Pulse Width	4.75	165		ns
		3.0	165		
tw (HWE)**	HWE Pulse Width	4.75	60		ns
		3.0	60		
td(LDATA)	LDATA Delay from HDATA	4.75		15	ns
		3.0		15	

**Parameter guaranteed by design

Timing Specifications and Diagrams (Continued)

PCM16C010 IC Specific Timing Specifications

Symbol	Path	V _{CC} (V)	Commercial T _A = 0°C to +70°C		Units
			Min	Max	
td(CS)	CS from Valid Address	4.75	30		ns
		3.0	40		
td(IREQ)	IREQ Delay from CINT	4.75	20		ns
		3.0	25		
td(SPKR)	SPKR Delay from SPK__IN	4.75	17		ns
		3.0	20		
td(SRESET)	SRESET Delay from RESET	4.75	30		ns
		3.0	35		
td(PCNTL)	PCNTL Delay from HWE	4.75	35		ns
		3.0	40		
td(FCLK)	FCLK Delay from MCLK	4.75	25		ns
		3.0	30		
Frequency	MCLK	4.75	5	30	MHz
		3.0	5	30	

**Parameter guaranteed by design.

Capacitance

Symbol	Parameter	Typical	Units	Conditions
C _{IN}	Input Pin Capacitance	3	pF	V _{CC} = OPEN
C _{OUT}	Output Pin Capacitance	5	pF	V _{CC} = 5.0V
C _{I/O}	Input/Output Capacitance	5	pF	V _{CC} = 5.0V
C _{PD}	Power Dissipation Capacitance	42	pF	V _{CC} = 5.0V

Typical Applications

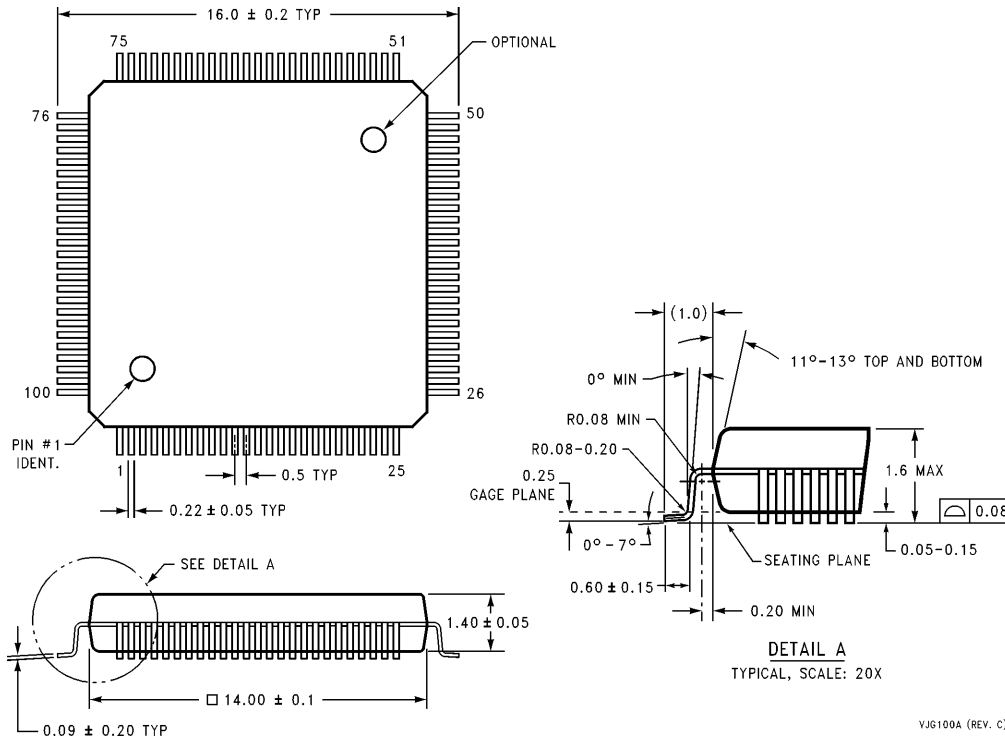
Dual Function Card with NAND (NM29N16) Flash and Modem.

References

1. PC Card Standard
2. National Semiconductor 1992 Memory Databook. Application Note AN758.
3. National NM29N16, 16-MBit (2M x 8-bit) CMOS NAND Flash E²PROM Datasheet.
4. PCM16C00 Datasheet.

PCM16C010 Configurable PC Card Interface Chip

Physical Dimensions millimeters



100-Pin TQFP
100-Lead (14 mm x 14 mm) Molded Thin Plastic Quad Flatpak (JEDEC)
NS Package Number VJG100A

VJG100A (REV. C)

LIFE SUPPORT POLICY

NATIONAL'S PRODUCTS ARE NOT AUTHORIZED FOR USE AS CRITICAL COMPONENTS IN LIFE SUPPORT DEVICES OR SYSTEMS WITHOUT THE EXPRESS WRITTEN APPROVAL OF THE PRESIDENT OF NATIONAL SEMICONDUCTOR CORPORATION. As used herein:

1. Life support devices or systems are devices or systems which, (a) are intended for surgical implant into the body, or (b) support or sustain life, and whose failure to perform, when properly used in accordance with instructions for use provided in the labeling, can be reasonably expected to result in a significant injury to the user.
2. A critical component is any component of a life support device or system whose failure to perform can be reasonably expected to cause the failure of the life support device or system, or to affect its safety or effectiveness.



National Semiconductor Corporation
Americas
 Tel: 1(800) 272-9959
 Fax: 1(800) 737-7018
 Email: support@nsc.com

National Semiconductor Europe
 Fax: +49 (0) 180-530 85 86
 Email: europe.support@nsc.com
 Deutsch Tel: +49 (0) 180-530 85 85
 English Tel: +49 (0) 180-532 78 32
 Français Tel: +49 (0) 180-532 93 58
 Italiano Tel: +49 (0) 180-534 16 80

National Semiconductor Southeast Asia
 Fax: (852) 2376 3901
 Email: sea.support@nsc.com

National Semiconductor Japan Ltd.
 Tel: 81-3-5620-7561
 Fax: 81-3-5620-6179

<http://www.national.com>

National does not assume any responsibility for use of any circuitry described, no circuit patent licenses are implied and National reserves the right at any time without notice to change said circuitry and specifications.