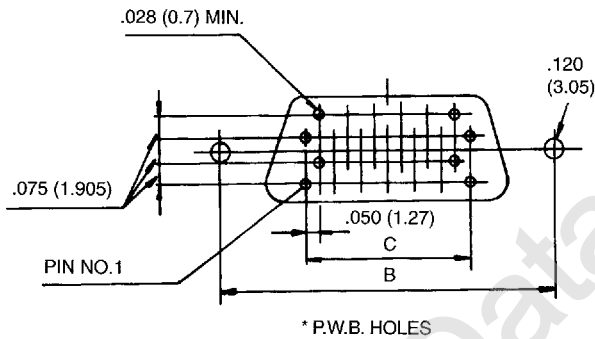
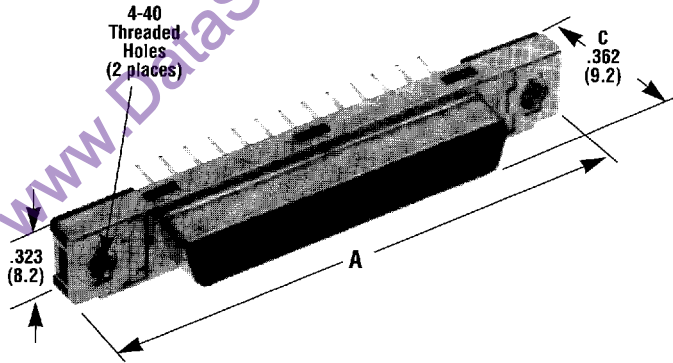


Straight P.C. Type Female Connector Without Latch Blocks

PCS-XE () SFD () N



*PCS-XE () SFDA () N Alternate - Consult Factory

No. of Contacts	Part No.	A	B	C
26	PCS-XE26SFDUN	1.465 (37.2)	1.228 (31.2)	0.600 (15.24)
50	PCS-XE50SFDUN	2.067 (52.5)	1.831 (46.5)	1.200 (30.48)
68	PCS-XE68SFDUN	2.516 (63.9)	2.28 (57.9)	1.65 (41.91)
100	PCS-XE100SFDUN	3.319 (84.3)	3.08 (78.23)	2.45 (62.23)

■ Recognized under the component Program of Underwriters Laboratories Inc., File No. E120751



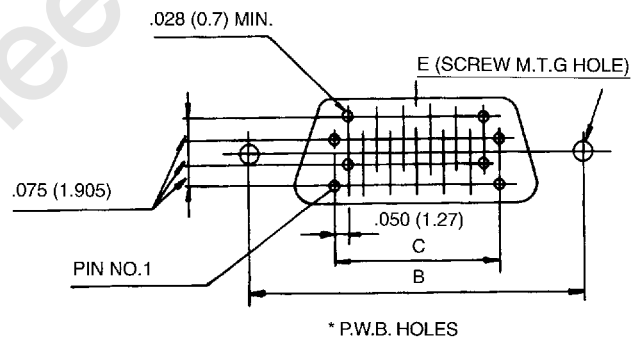
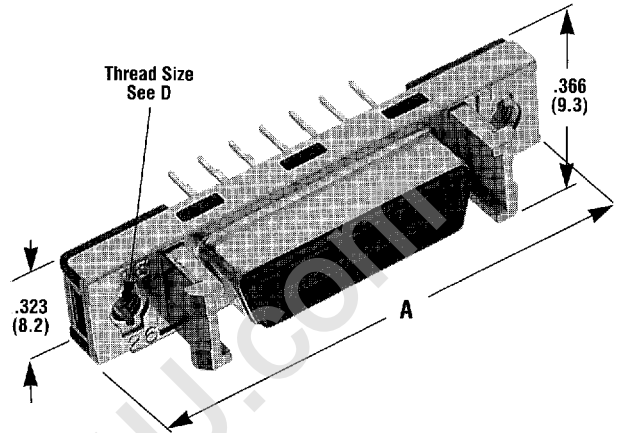
■ Certified by Canadian Standards Association, File No. 95203



Conda Connectors

Straight P.C. Type Female Connector With Latch Blocks

PCS-XE () SFD ()



*PCS-XE () SFDA () Alternate - Consult Factory

No. of Contacts	Part No.	A	B	C
26	PCS-XE26SFD ()	1.465 (37.2)	1.228 (31.2)	0.600 (15.24)
50	PCS-XE50SFD ()	2.067 (52.5)	1.831 (46.5)	1.200 (30.48)
68	PCS-XE68SFD ()	2.516 (63.9)	2.28 (57.9)	1.65 (41.91)

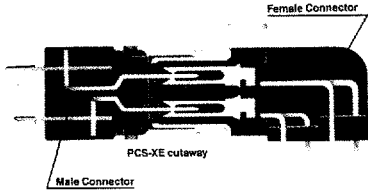
Part No.	D	E
PCS-XE() SFDU2	#2-56UNC	.098 (2.5)
PCS-XE() SFDU	#4-40UNC	.120 (3.05)
PCS-XE() SFD	M2.5X0.45	.110 (2.8)

PCS-XE Series

SHIELDED

.050 SERIES CONNECTORS

.050 X .100 (1.27 X 2.54) CENTERLINE



Product Information:

- The PCS-XE series connector is approved by ANSI (American National Standards Institute) as the standard interface for SCSI-II (Small Computer System Interface). Also compatible with EIA RS-232 Alternate, HSC (High Speed Standard) IPI (Intelligent Peripheral Interface) standards and HiPPI.
- High density (.050 [1.27mm] spacing) board-to-cable connector with 26, 50, 68 or 100 contacts as standard.
- Cable connection is IDC type, which allows labor saving termination with Honda tooling.
- Compatible wire sizes include #28AWG (7/0.127), #30AWG (1/0.254 and #30AWG (7/0.1).
- Designed to control EMI to meet FCC and other standards.
- The connector cable cover (back shell) is made of sturdy die cast. Mating is assured by locking clips housed in the connector back shell.
- A full line of Active and Passive Terminators available; designed to ANSI recommended specifications. Fully compatible with all SCSI II Devices. Contact Factory for Details.

SPECIFICATIONS:

Rated Current	1 Amp
Rated Voltage	250 Volts AC (RMS)
Insulation Resistance	More than 1000 Megohms (at 0.39 250 Volts DC)
Withstanding Voltage	500 Volts AC (RMS), one minute
Contact Resistance	Less than 35 milliohms (including conductor resistance)
Operating Temperature	-67.F to +221.F (-55.C to +105.C)
Standard Board Thickness	0.063" (1.6mm)
Throughhole Diameter	0.032" (0.8mm)

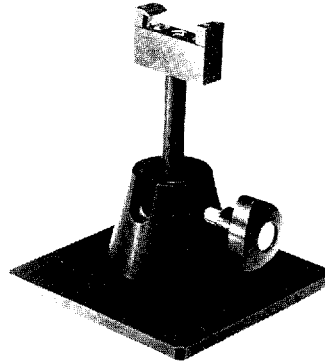
MATERIAL AND FINISH

*Contact	Phosphor Bron	Contact area gold-plating over nickel; termination area tin.
Insulator	PBT resin (GF)	UL94V-O Black
Shell	Steel	Nickel-plated

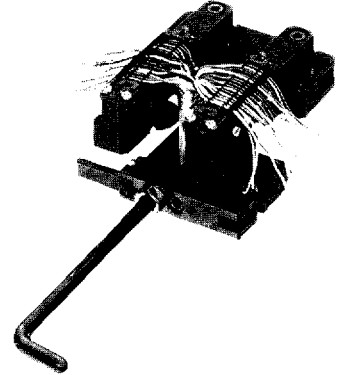
*G1 deviation for .000030 (0.00076) Min gold on mating area.

PCS-XE Termination Tooling

Wiring Tools

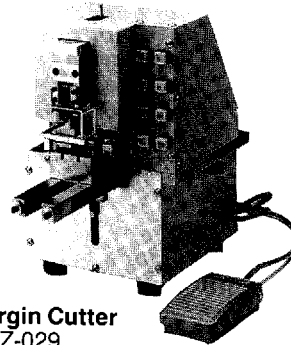


Wire Sorting Cassette Mount
JGPS-014

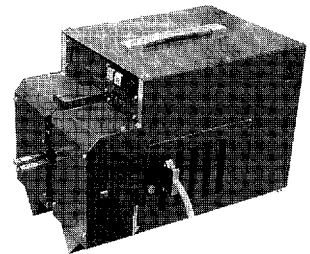


Wire Sorting Cassette
JGPS-015-1/1 ()

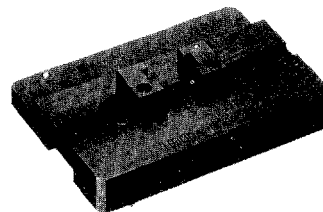
* insert number of contacts;
e.g. 26, 50, 68, 100



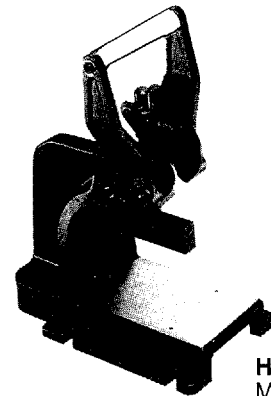
Margin Cutter
EMZ-029
for 20 to 68 contacts
EMZ-029N
for 50 to 100 contacts



Portable Termination Machine
FHM-1A



IDC Locator
PCS-K1
for Cable Connectors
PCS-K5
for Panel Mount Connectors



Hand Press
MFC-K1

HONDA CONNECTORS

960 Corporate Woods Pkwy.

Vernon Hills, IL 60061

Tel: 708-913-9566 • Fax: 708-913-9587

Irvine, CA
Tel: 714-852-0424
Fax: 714-852-0872

Mountain View, CA
Tel: 415-968-2111/2174
Fax: 415-968-6206

Durham, NC
Tel: 919-490-9790
Fax: 919-490-9791

Endicott, NY
Tel: 607-786-3560
Fax: 607-786-3561

Garland, TX
Tel: 214-272-6279
Fax: 214-487-2183

Swindon, England
Tel: 01793 523388
Fax: 01793-521777