



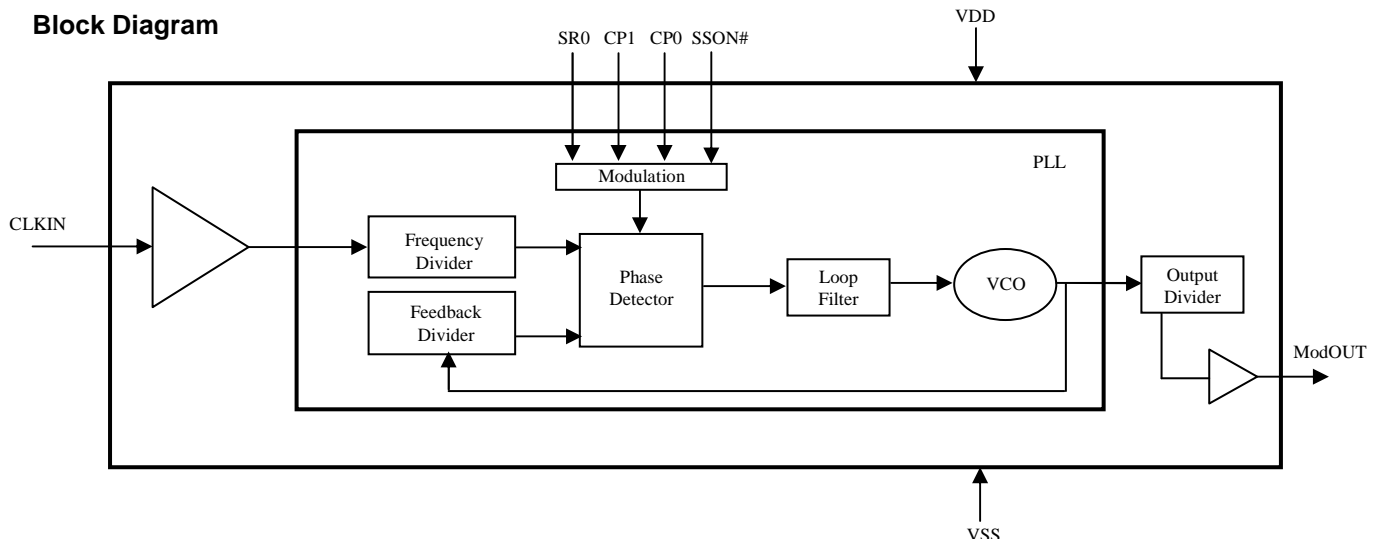
LCD Panel EMI Reduction IC

Features

- FCC approved method of EMI attenuation.
- Provides up to 15dB of EMI suppression.
- Generates a low EMI spread spectrum clock of the input frequency.
- Input frequency range: 30MHz - 110MHz.
- Output frequency range: 30MHz - 110MHz
- Optimized for 32.5MHz, 54MHz, 65MHz, 74MHz and 108MHz pixel clock frequencies.
- Internal loop filter minimizes external components and board space.
- Eight selectable high spread ranges up to $\pm 2\%$.
- Selectable spread options: Down Spread and Center Spread
- SSON# control pin for spread spectrum enable and disable options.
- Low cycle-to-cycle jitter.
- 3.3V \pm 0.3V operating range.
- CMOS design.
- Supports most mobile graphic accelerator and LCD timing controller specifications.
- Available in 8-pin TSSOP Package.

Product Description

Block Diagram



The PCS3P2042B is a versatile spread spectrum frequency modulator designed specifically for digital flat panel applications. The PCS3P2042B reduces electromagnetic interference (EMI) at the clock source, allowing system wide reduction of EMI of down stream clock and data dependent signals. The PCS3P2042B allows significant system cost savings by reducing the number of circuit board layers ferrite beads, shielding and other passive components that are traditionally required to pass EMI regulations.

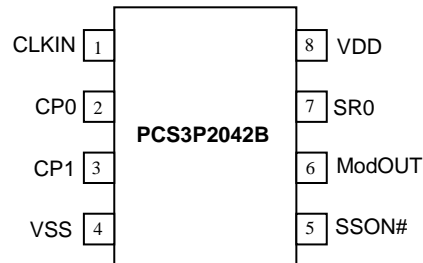
The PCS3P2042B uses the most efficient and optimized modulation profile approved by the FCC and is implemented in a proprietary all digital method.

The PCS3P2042B modulates the output of a single PLL in order to "spread" the bandwidth of a synthesized clock, and more importantly, decreases the peak amplitudes of its harmonics. This results in significantly lower system EMI compared to the typical narrow band signal produced by oscillators and most frequency generators. Lowering EMI by increasing a signal's bandwidth is called 'spread spectrum clock generation.'

Applications

The PCS3P2042B is targeted towards digital flat panel applications for notebook PCs, palm-size PCs, office automation equipments and LCD monitors.

Pin Configuration



www.DataSheet4U.com

Pin Description

Pin#	Pin Name	Type	Description
1	CLKIN	I	External reference frequency input. Connect to externally generated reference signal.
2	CP0	I	Digital logic input used to select Spreading Range. This pin has an internal pull-up resistor. Refer to <i>Modulation Selection Table</i> .
3	CP1	I	Digital logic input used to select Spreading Range. This pin has an internal pull-up resistor. Refer to <i>Modulation Selection Table</i> .
4	VSS	P	Ground to entire chip. Connect to system ground.
5	SSON#	I	Digital logic input used to enable Spread Spectrum function (Active LOW). Spread Spectrum function enabled when LOW, disabled when HIGH. This pin has an internal pull-low resistor.
6	ModOUT	O	Spread spectrum clock output.
7	SR0	I	Digital logic input used to select Spreading Range. This pin has an internal pull-up resistor. Refer to <i>Modulation Selection Table</i> .
8	VDD	P	Power supply for the entire chip.

Modulation Selection

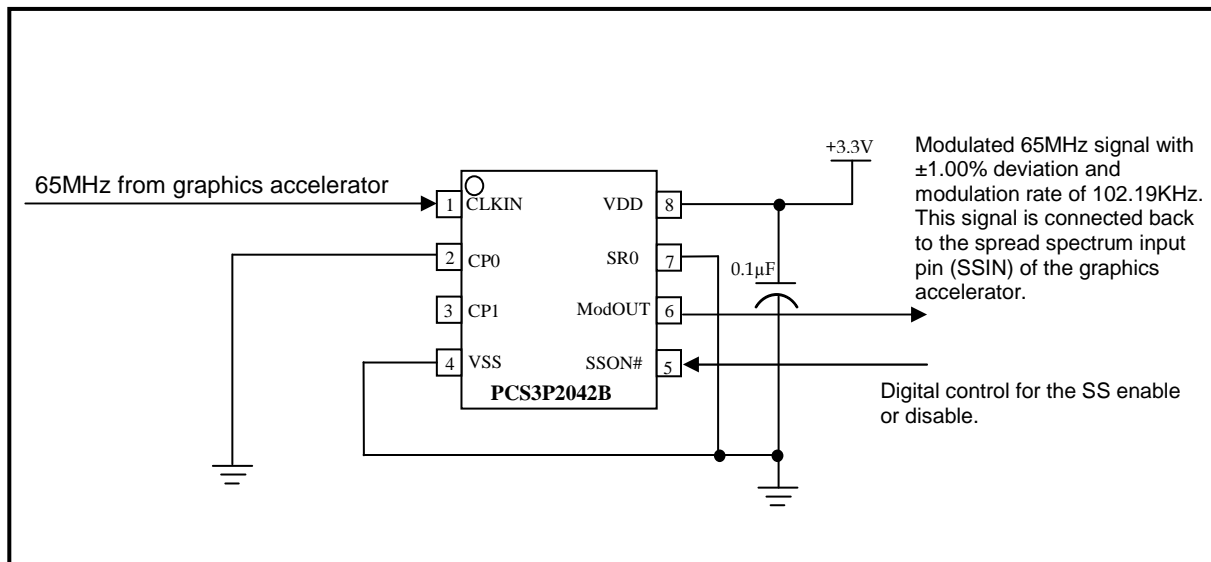
CP0	CP1	SR0	Spreading Range (\pm %)					Modulation Rate (KHz)
			32.5MHz	54MHz	65MHz	81MHz	108MHz	
0	0	0	1.75	1.53	1.41	1.27	1.1	(FIN /40) * 62.89 KHz
0	0	1	1.89	1.7	1.55	1.4	1.2	
0	1	0	1.39	1.2	1.1	1.0	0.9	
0	1	1	2.1	1.85	1.7	1.55	1.35	
1	0	0	0.74	0.6	0.57	0.52	0.45	
1	0	1	1.1	0.93	0.86	0.77	0.68	
1	1	0	0.32	0.3	0.28	0.26	0.23	
1	1	1	0.58	0.5	0.45	0.4	0.36	

Spread Spectrum Selection

The *Modulation Selection Table* defines the possible spread spectrum options. The optimal setting should minimize system EMI to the fullest without affecting system performance. The spreading is described as a percentage deviation of the center frequency. (Note: The center frequency is the frequency of the external reference input on CLKIN, pin1).

For example, PCS3P2042B is designed for high-resolution, flat panel applications and is able to support an XGA (1024 x 768) flat panel operating at 65MHz (FIN) clock speed. A spreading selection of CP0=0, CP1=1 and SR0=0 provides a percentage deviation of $\pm 1.00\%$ from F_{IN} . This results in the frequency on ModOUT being swept from 65.65 to 64.35MHz at a modulation rate of 102.19KHz. Refer to *Modulation Selection Table*. The example in the following illustration is a common EMI reduction method for a notebook LCD panel and has already been implemented by most of the leading OEM and mobile graphic accelerator manufacturers.

Application Schematic for Mobile LCD Graphics Controllers



Absolute Maximum Ratings

Symbol	Parameter	Rating	Unit
VDD, V _{IN}	Voltage on any input pin with respect to Ground	-0.5 to +4.6	V
T _{STG}	Storage temperature	-65 to +125	°C
T _s	Max. Soldering Temperature (10 sec)	260	°C
T _J	Junction Temperature	150	°C
T _{DV}	Static Discharge Voltage (As per JEDEC STD22- A114-B)	2	KV

Note: These are stress ratings only and are not implied for functional use. Exposure to absolute maximum ratings for prolonged periods of time may affect device reliability.

Operating Conditions

Symbol	Parameter		Min	Typ	Max	Unit
VDD	Supply Voltage with respect to Ground		3.0	3.3	3.6	V
T _A	Operating temperature	Commercial	0		+70	°C
T _J	Junction temperature	Commercial TSSOP			79.80	°C
θ _{JC}	Thermal Resistance	TSSOP		124		°C/W

DC Electrical Characteristics

Symbol	Parameter	Min	Typ	Max	Unit
V _{IL}	Input low voltage	VSS - 0.3		0.8	V
V _{IH}	Input high voltage	2.0		VDD + 0.3	V
I _{IL}	Input low current (pull-up resistor on inputs CP0, CP1 and SR0)			-50	μA
I _{IH}	Input high current (pull-down resistor on input SSON#)			50	μA
V _{OL}	Output low voltage (I _{OL} = 8mA)			0.4	V
V _{OH}	Output high voltage (I _{OH} = -8mA)	2.5			V
I _{DD}	Static supply current (CLKIN pulled LOW)			300	μA
I _{CC}	Dynamic supply current (3.3V and 10pF loading)	6	15	22	mA
V _{DD}	Operating voltage	3.0	3.3	3.6	V
t _{ON}	Power-up time (first locked cycle after power up)			3	mS
Z _{OUT}	Clock output impedance		35		Ω

AC Electrical Characteristics

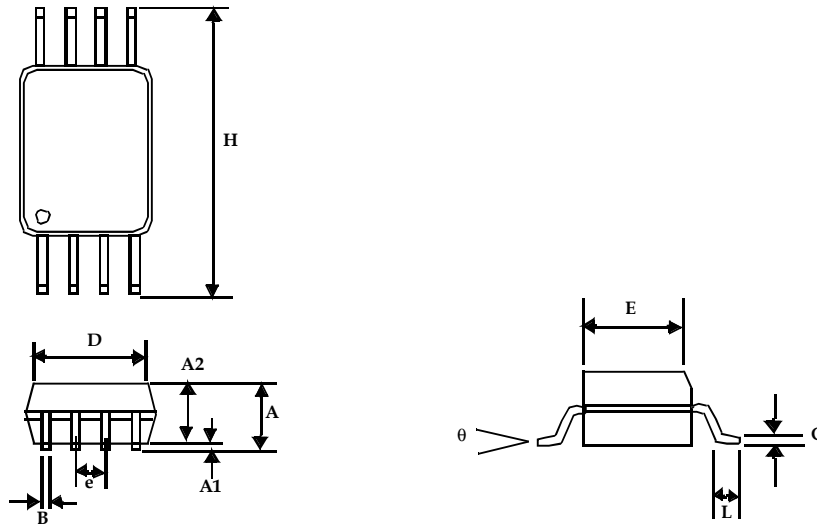
Symbol	Parameter	Min	Typ	Max	Unit
f _{IN}	Input Clock frequency	30	74	110	MHz
f _{OUT}	Output Clock frequency	30	74	110	MHz
t _{LH} ¹	Output rise time (measured between 20% to 80%)	1.1	1.5	2	nS
t _{HL} ¹	Output fall time (measured between 80% to 20%)	0.8	1.2	1.8	nS
t _{JC}	Jitter (cycle-to-cycle)	<50MHz		±250	pS
		≥50MHz		±200	
t _D	Output duty cycle	45	50	55	%

Note: 1. t_{LH} and t_{HL} are measured into a capacitive load of 10pF

Package Information

8-lead TSSOP

www.DataSheet4U.com




Symbol	Dimensions			
	Inches		Millimeters	
	Min	Max	Min	Max
A		0.043		1.10
A1	0.002	0.006	0.05	0.15
A2	0.033	0.037	0.85	0.95
B	0.008	0.012	0.19	0.30
c	0.004	0.008	0.09	0.20
D	0.114	0.122	2.90	3.10
E	0.169	0.177	4.30	4.50
e	0.026 BSC		0.65 BSC	
H	0.252 BSC		6.40 BSC	
L	0.020	0.028	0.50	0.70
θ	0°	8°	0°	8°

Ordering Information

Part Number	Top Marking	Package Type	Temperature
PCS3P2042BG-08TT	CEL	8-Pin TSSOP, TUBE, Green	0°C to +70°C
PCS3P2042BG-08TR	CEL	8-Pin TSSOP, TAPE & REEL, Green	0°C to +70°C

A "microdot" placed at the end of last row of marking or just below the last row toward the center of package indicates Pb-free.

Note: Many ON Semiconductor products are protected by issued patents or applications for patent.

ON Semiconductor and  are registered trademarks of Semiconductor Components Industries, LLC (SCILLC). SCILLC reserves the right to make changes without further notice to any products herein. SCILLC makes no warranty, representation or guarantee regarding the suitability of its products for any particular purpose, nor does SCILLC assume any liability arising out of the application or use of any product or circuit, and specifically disclaims any and all liability, including without limitation special, consequential or incidental damages. "Typical" parameters which may be provided in SCILLC data sheets and/or specifications can and do vary in different applications and actual performance may vary over time. All operating parameters, including "Typicals" must be validated for each customer application by customer's technical experts. SCILLC does not convey any license under its patent rights nor the rights of others. SCILLC products are not designed, intended, or authorized for use as components in systems intended for surgical implant into the body, or other applications intended to support or sustain life, or for any other application in which the failure of the SCILLC product could create a situation where personal injury or death may occur. Should Buyer purchase or use SCILLC products for any such unintended or unauthorized application, Buyer shall indemnify and hold SCILLC and its officers, employees, subsidiaries, affiliates, and distributors harmless against all claims, costs, damages, and expenses, and reasonable attorney fees arising out of, directly or indirectly, any claim of personal injury or death associated with such unintended or unauthorized use, even if such claim alleges that SCILLC was negligent regarding the design or manufacture of the part. SCILLC is an Equal Opportunity/Affirmative Action Employer. U.S. Patent Pending; Timing-Safe and Active Bead are trademarks of PulseCore Semiconductor, a wholly owned subsidiary of ON Semiconductor. This literature is subject to all applicable copyright laws and is not for resale in any manner.

PUBLICATION ORDERING INFORMATION

LITERATURE FULFILLMENT:

Literature Distribution Center for ON Semiconductor
P.O. Box 5163, Denver, Colorado 80217 USA
Phone: 303-675-2175 or 800-344-3860 Toll Free USA/Canada
Fax: 303-675-2176 or 800-344-3867 Toll Free USA/Canada
Email: orderlit@onsemi.com

N. American Technical Support: 800-282-9855
Toll Free USA/Canada
Europe, Middle East and Africa Technical Support:
Phone: 421 33 790 2910
Japan Customer Focus Center
Phone: 81-3-5773-3850

ON Semiconductor Website:
www.onsemi.com

Order Literature: <http://www.onsemi.com/orderlit>

For additional information, please contact your local Sales Representative