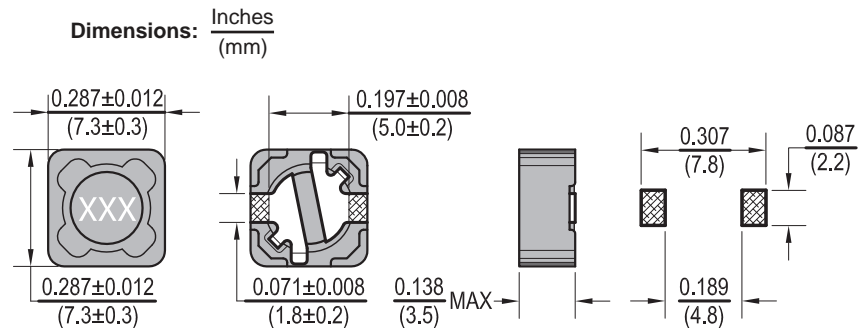




Power Chip Shielded Inductors PCSDR73



| Allied Part Number | Inductance (μ h) | Tolerance (%) | Test Freq. KHz, 0.1V | DCR (Ω) | I rms (A) | I sat (A) |
|--------------------|-----------------------|---------------|----------------------|------------------|-----------|-----------|
| PCSDR73-R33M-RC | 0.33 | 20 | 100 | 0.0088 | 6.243 | 14.400 |
| PCSDR73-R56M-RC | 0.56 | 20 | 100 | 0.0106 | 5.686 | 10.286 |
| PCSDR73-1R0M-RC | 1.0 | 20 | 100 | 0.0122 | 5.281 | 8.000 |
| PCSDR73-1R5M-RC | 1.5 | 20 | 100 | 0.0156 | 4.678 | 6.545 |
| PCSDR73-2R2M-RC | 2.2 | 20 | 100 | 0.0198 | 4.152 | 5.538 |
| PCSDR73-2R7M-RC | 2.7 | 20 | 100 | 0.0254 | 3.663 | 4.800 |
| PCSDR73-3R3M-RC | 3.3 | 20 | 100 | 0.0311 | 3.314 | 4.235 |
| PCSDR73-4R7M-RC | 4.7 | 20 | 100 | 0.0356 | 3.095 | 3.789 |
| PCSDR73-5R6M-RC | 5.6 | 20 | 100 | 0.0439 | 2.788 | 3.429 |
| PCSDR73-6R8M-RC | 6.8 | 20 | 100 | 0.0522 | 2.557 | 3.130 |
| PCSDR73-8R2M-RC | 8.2 | 20 | 100 | 0.0710 | 2.192 | 2.667 |
| PCSDR73-100M-RC | 10 | 20 | 100 | 0.0787 | 2.083 | 2.483 |
| PCSDR73-120M-RC | 12 | 20 | 100 | 0.0900 | 1.948 | 2.323 |
| PCSDR73-150M-RC | 15 | 20 | 100 | 0.1013 | 1.836 | 2.057 |
| PCSDR73-180M-RC | 18 | 20 | 100 | 0.1148 | 1.724 | 1.846 |
| PCSDR73-220M-RC | 22 | 20 | 100 | 0.1284 | 1.631 | 1.674 |
| PCSDR73-270M-RC | 27 | 20 | 100 | 0.1638 | 1.444 | 1.532 |
| PCSDR73-330M-RC | 33 | 20 | 100 | 0.1992 | 1.309 | 1.358 |
| PCSDR73-390M-RC | 39 | 20 | 100 | 0.2442 | 1.182 | 1.263 |
| PCSDR73-470M-RC | 47 | 20 | 100 | 0.2892 | 1.087 | 1.143 |
| PCSDR73-560M-RC | 56 | 20 | 100 | 0.3594 | 0.975 | 1.075 |
| PCSDR73-680M-RC | 68 | 20 | 100 | 0.4296 | 0.891 | 0.960 |
| PCSDR73-820M-RC | 82 | 20 | 100 | 0.4608 | 0.861 | 0.889 |
| PCSDR73-101M-RC | 100 | 20 | 100 | 0.6324 | 0.735 | 0.791 |
| PCSDR73-121M-RC | 120 | 20 | 100 | 0.8268 | 0.643 | 0.727 |
| PCSDR73-151M-RC | 150 | 20 | 100 | 1.0212 | 0.578 | 0.649 |
| PCSDR73-181M-RC | 180 | 20 | 100 | 1.1406 | 0.547 | 0.595 |
| PCSDR73-221M-RC | 220 | 20 | 100 | 1.2600 | 0.521 | 0.533 |
| PCSDR73-271M-RC | 270 | 20 | 100 | 1.5840 | 0.464 | 0.483 |
| PCSDR73-331M-RC | 330 | 20 | 100 | 1.9080 | 0.423 | 0.442 |
| PCSDR73-391M-RC | 390 | 20 | 100 | 2.3700 | 0.380 | 0.402 |
| PCSDR73-471M-RC | 470 | 20 | 100 | 2.8320 | 0.347 | 0.369 |
| PCSDR73-561M-RC | 560 | 20 | 100 | 3.4980 | 0.312 | 0.338 |
| PCSDR73-681M-RC | 680 | 20 | 100 | 4.1640 | 0.286 | 0.306 |
| PCSDR73-821M-RC | 820 | 20 | 100 | 4.7160 | 0.269 | 0.278 |
| PCSDR73-102M-RC | 1000 | 20 | 100 | 5.2080 | 0.256 | 0.253 |
| PCSDR73-122M-RC | 1200 | 20 | 100 | 7.8916 | 0.208 | 0.230 |

All specifications subject to change without notice.

Features

- Magnetically Shielded
- High saturation current as high as 14A
- Expanded operating temp range
- Low DC Resistance
- High Energy Storage
- Low Energy Loss
- Suitable for pick and place

Electrical

Inductance Range: .33 μ h to 1200 μ h

Tolerance: 20% entire inductance range
Available in tighter tolerances

Test Frequency: 1KHz, 0.1V

Operating Temp: -55°C ~ +125°C

Storage Temp: -40°C ~ +85°C

Irms: Current at which the $\Delta T=40^\circ\text{C}$

Isat: Current at which the inductance drops 35% from initial value

Resistance to Soldering Heat

Pre-Heat 150°C, 1 Min.

Solder Composition: Sn/Ag3.0/Cu0.5

Solder Temp: 260°C +/- 5°C

Immersion time: 10 sec. +/- 1 sec.

Test Equipment

(L): HP 4284A LCR meter or equivalent

(RDC): HP 4338B Milliohm meter or equivalent

(IDC): 3260B WK & DC Bias 3265B WK

Physical

Packaging: 1000 pieces per 13 inch reel.

Marking: EIA Inductance Code.

Schematic

