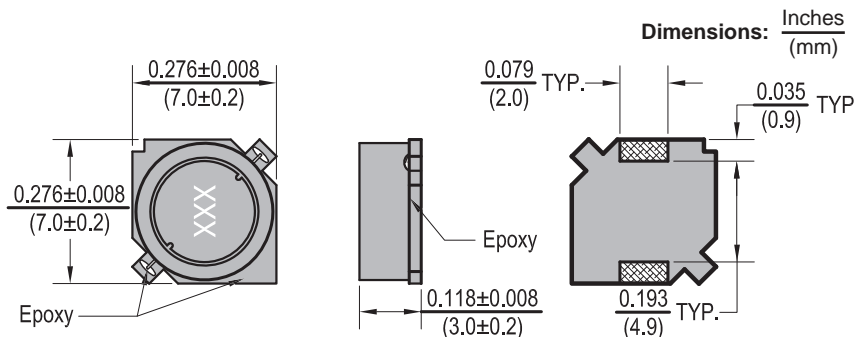


# PCSLF0730 Power Chip Shielded Inductors



## Features

- Shielded SMD Power Inductor
- Suitable for high current applications
- Low profile
- Low Power loss and High current

## Electrical

**Inductance Range:** 3.3 $\mu$ H to 100 $\mu$ H

**Tolerance:** 20% over entire range

**Operating Temp:** -40°C ~ +85°C

**IDC:** Current at which inductance drops by 10% of initial value

## Resistance to Soldering Heat

Pre-Heat 150°C, 1 minute.

**Solder Composition:** Sn/Ag3.0/Cu0.5

**Solder Temp:** 260°C ± 5°C for 10 sec. ± 1 sec.

## Test Equipment

**(L):** HP 4192A LF Impedance Analyzer

**(RDC):** Chen Hwa 502BC

**(IDC):** HP4284A + HP42841A /  
Chen Hwa 1061+301A

## Physical

**Packaging:** 1000 pieces per 13 inch reel.

**Marking:** EIA Inductance Code

| Allied Part Number | Inductance ( $\mu$ H) | Tolerance (%) | Test Freq. KHz, 0.5v | RDC ( $\Omega$ ) ±20% | IDC (A) |
|--------------------|-----------------------|---------------|----------------------|-----------------------|---------|
| PCSLF0730-3R3M-RC  | 3.3                   | 20            | 1                    | .023                  | 1.8     |
| PCSLF0730-4R7M-RC  | 4.7                   | 20            | 1                    | .036                  | 1.6     |
| PCSLF0730-6R8M-RC  | 6.8                   | 20            | 1                    | .041                  | 1.5     |
| PCSLF0730-100M-RC  | 10                    | 20            | 1                    | .053                  | 1.3     |
| PCSLF0730-150M-RC  | 15                    | 20            | 1                    | .084                  | 1.0     |
| PCSLF0730-220M-RC  | 22                    | 20            | 1                    | 0.11                  | .86     |
| PCSLF0730-330M-RC  | 33                    | 20            | 1                    | 0.16                  | .65     |
| PCSLF0730-470M-RC  | 47                    | 20            | 1                    | 0.24                  | .57     |
| PCSLF0730-680M-RC  | 68                    | 20            | 1                    | 0.31                  | .49     |
| PCSLF0730-101M-RC  | 100                   | 20            | 1                    | 0.45                  | .35     |

All specifications subject to change without notice.