

# Data Sheet

## PD2450U06-180

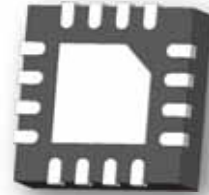
### Power Divider/Combiner

#### 4-Way 0° 50Ω 2.30-2.70 GHz



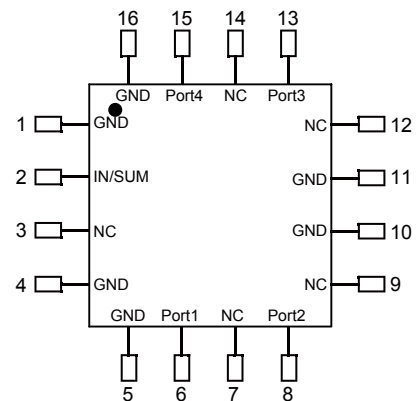
### Features

- Small Size (3×3mm QFN package)
- No need external 100 Ω resistor
- Very Low Loss
- Tight Amplitude Balance
- High Isolation
- Low VSWR
- Good Repeatability
- Tape & Reel
- Operating Temperature -40 ~85
- Power handling
  - 2 Watts as a divider
  - 0.5 Watts as a combiner



### Applications

- Wireless communications
- WLAN / WiMax
- SAT Radio
- ISM band instrument
- Information System for Automotive Safety



TOP VIEW

### Electrical Specifications at 25° C

Parameter	Symbol	Min	Typ	Max	Unit
Frequency Range	F	2300		2700	MHz
Insertion Loss (Above 6dB)	$I_L$		0.7		dB
Isolation	Isol		18		dB
Phase balance	$\varnothing_{bal}$		±2		deg
Amplitude balance	$A_{bal}$		±0.4		dB
Input VSWR			1.35		
Output VSWR			1.25		

### Yantel Corporation

Add : 3F, Building 3, Southern District 2 of Zhongguan Honghualing Industrial Park, Xili, Nanshan, Shenzhen, China

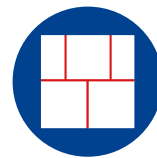
Tel : 86-755-8355-1886 Fax : 86-755-8355-2533

For detailed performance specs & shopping online see Yantel web site : [www.yantel-corp.com](http://www.yantel-corp.com)

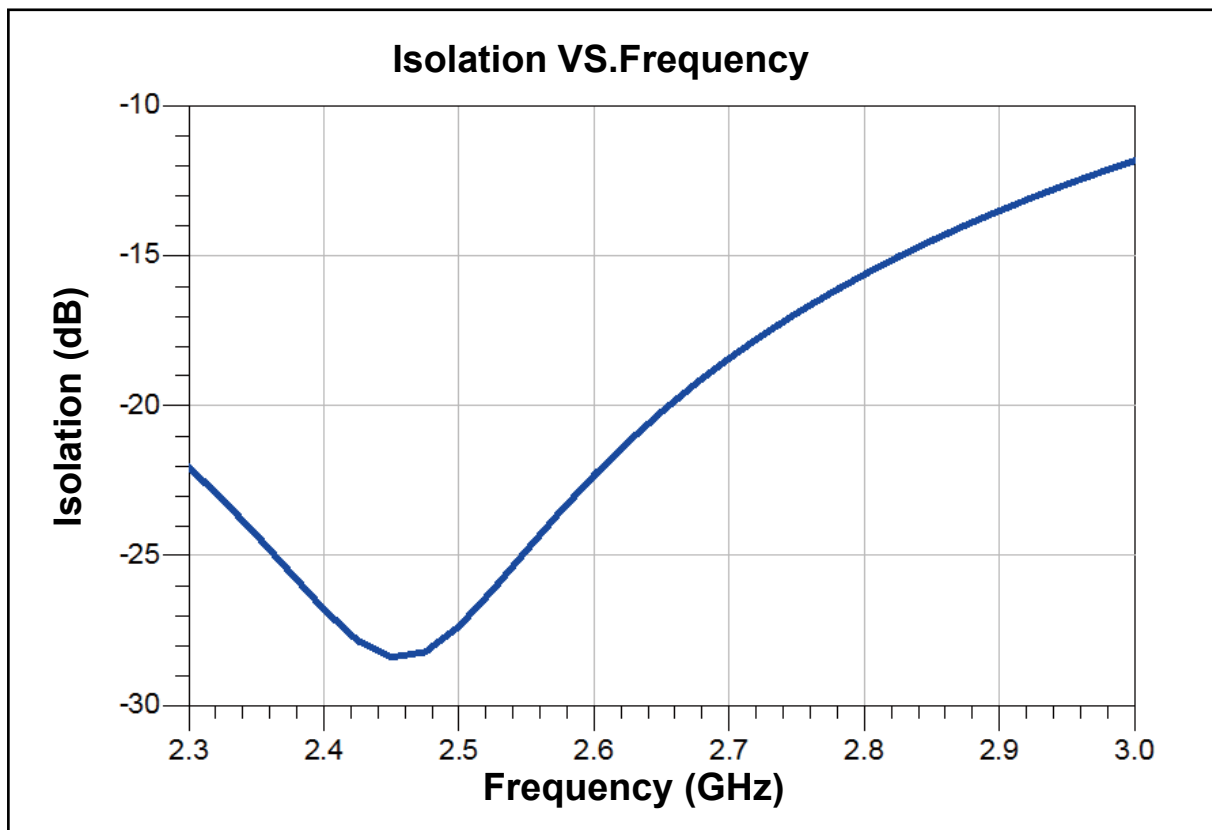
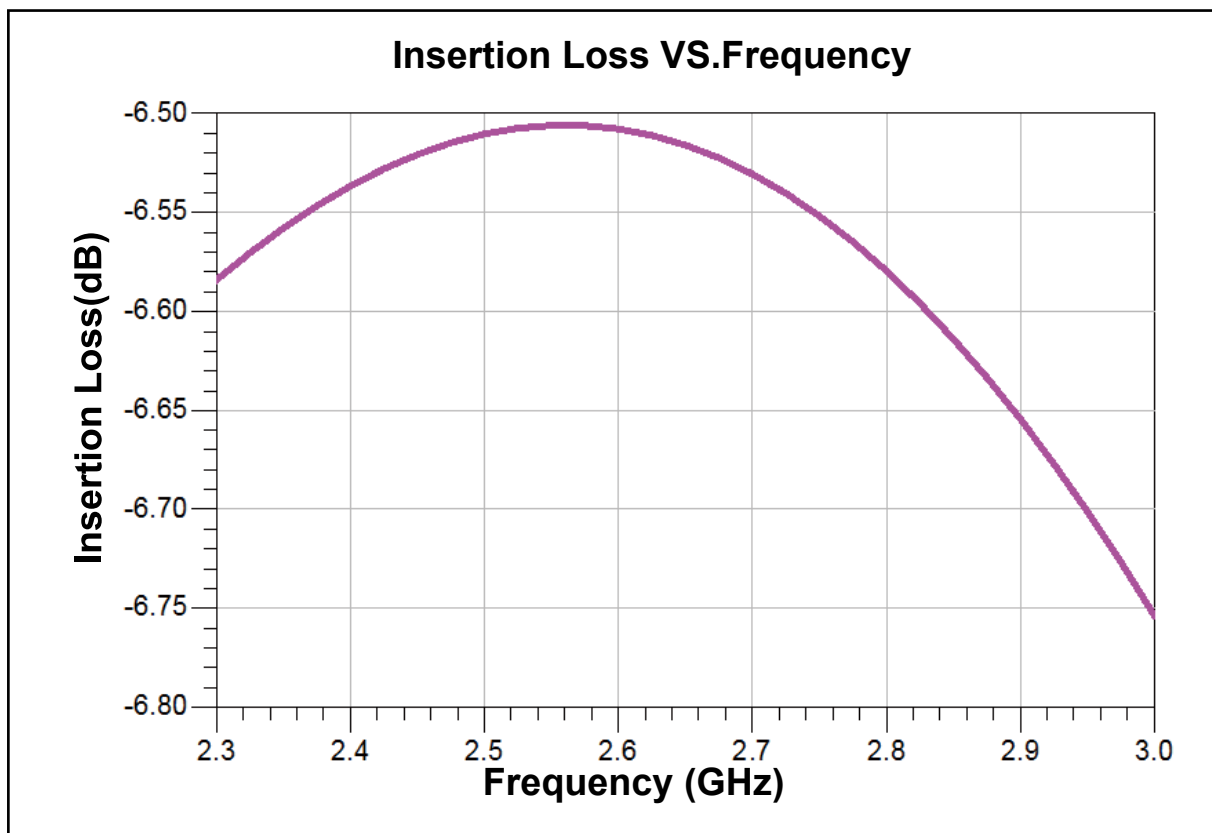
# Data Sheet

## PD2450U06-180

Power Divider/Combiner  
4-Way 0° 50Ω 2.30-2.70 GHz



**Yantel**  
*Key Patents Lead Microwave Tech*



#### Yantel Corporation

Add : 3F, Building 3, Southern District 2 of Zhongguan Honghualing Industrial Park, Xili, Nanshan, Shenzhen, China

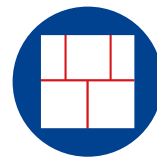
Tel : 86-755-8355-1886 Fax : 86-755-8355-2533

For detailed performance specs & shopping online see Yantel web site : [www.yantel-corp.com](http://www.yantel-corp.com)

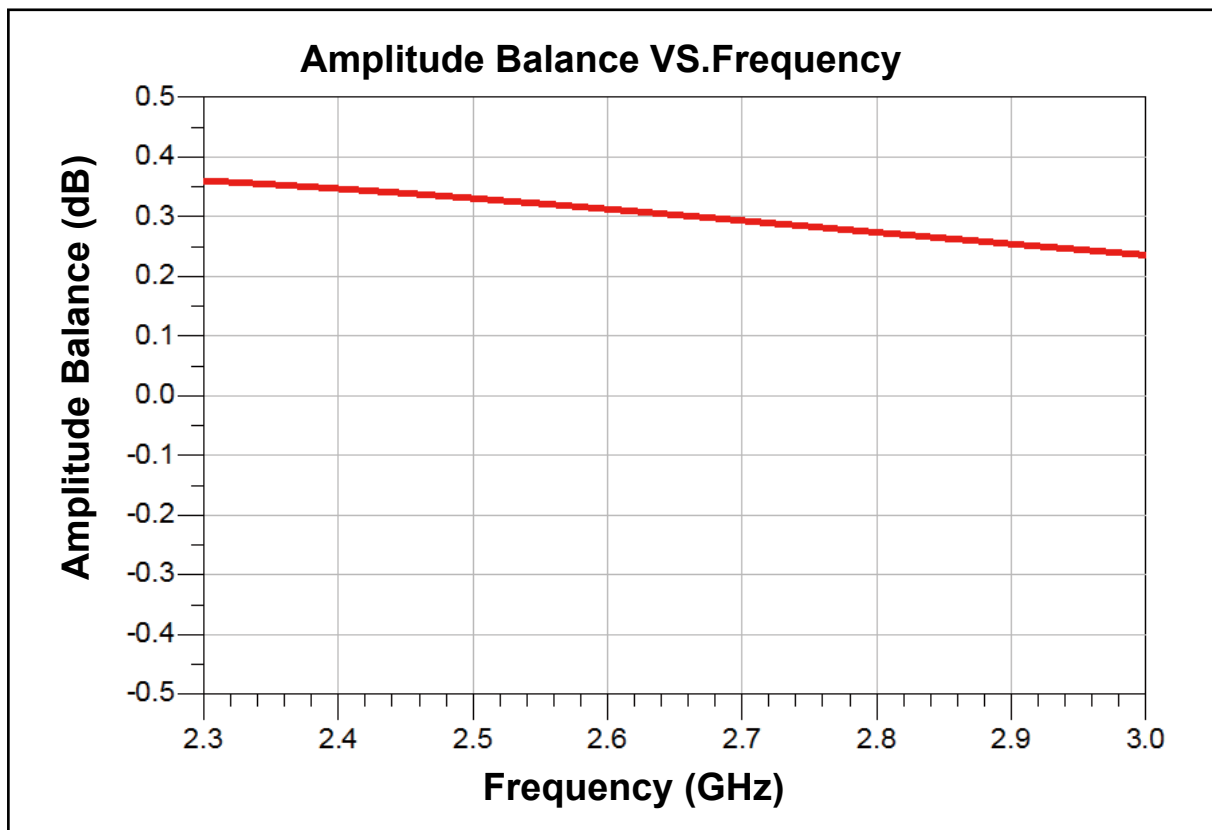
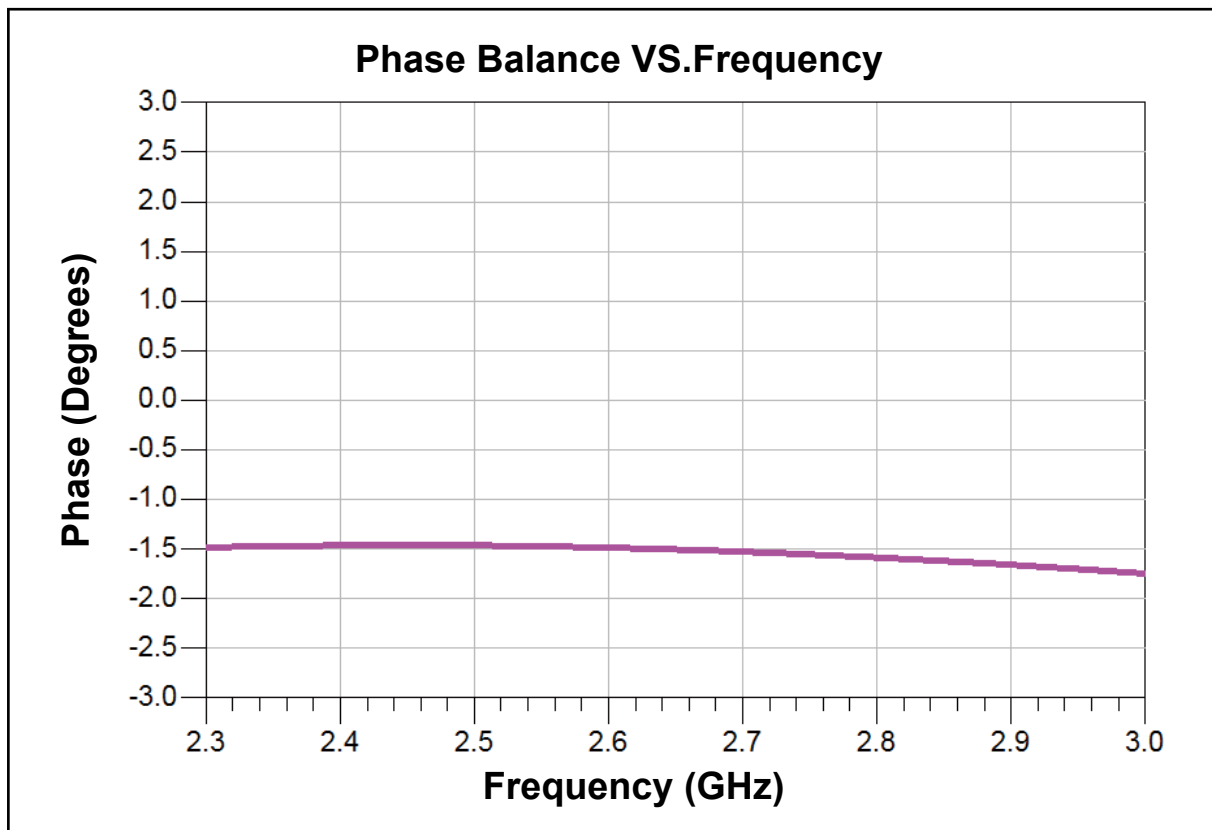
# Data Sheet

## PD2450U06-180

Power Divider/Combiner  
4-Way 0° 50Ω 2.30-2.70 GHz



**Yantel**  
*Key Patents Lead Microwave Tech*



#### Yantel Corporation

Add : 3F, Building 3, Southern District 2 of Zhongguan Honghualing Industrial Park, Xili, Nanshan, Shenzhen, China

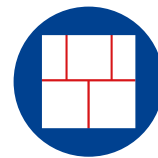
Tel : 86-755-8355-1886 Fax : 86-755-8355-2533

For detailed performance specs & shopping online see Yantel web site : [www.yantel-corp.com](http://www.yantel-corp.com)

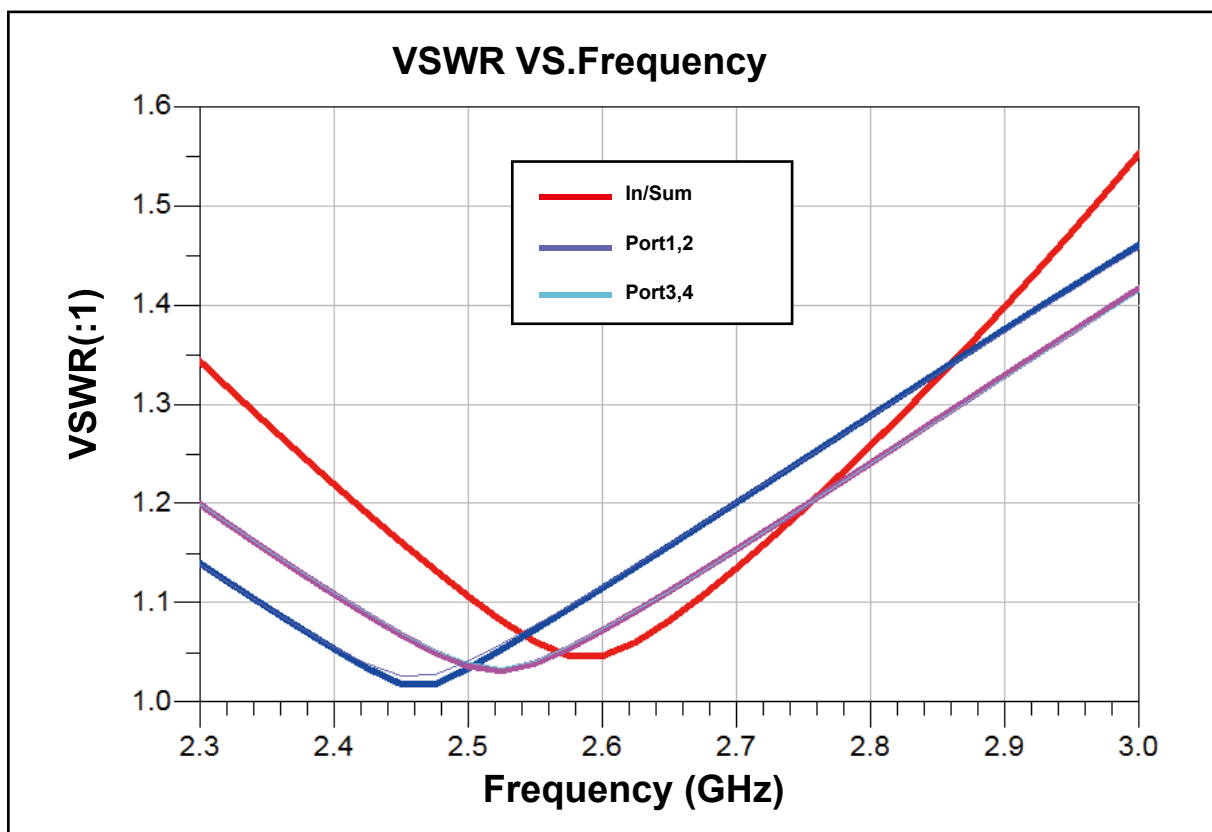
# Data Sheet

## PD2450U06-180

Power Divider/Combiner  
4-Way 0° 50Ω 2.30-2.70 GHz



**Yantel**  
*Key Patents Lead Microwave Tech*



### Yantel Corporation

Add : 3F, Building 3, Southern District 2 of Zhongguan Honghualing Industrial Park, Xili, Nanshan, Shenzhen, China

Tel : 86-755-8355-1886 Fax : 86-755-8355-2533

For detailed performance specs & shopping online see Yantel web site : [www.yantel-corp.com](http://www.yantel-corp.com)

# Data Sheet

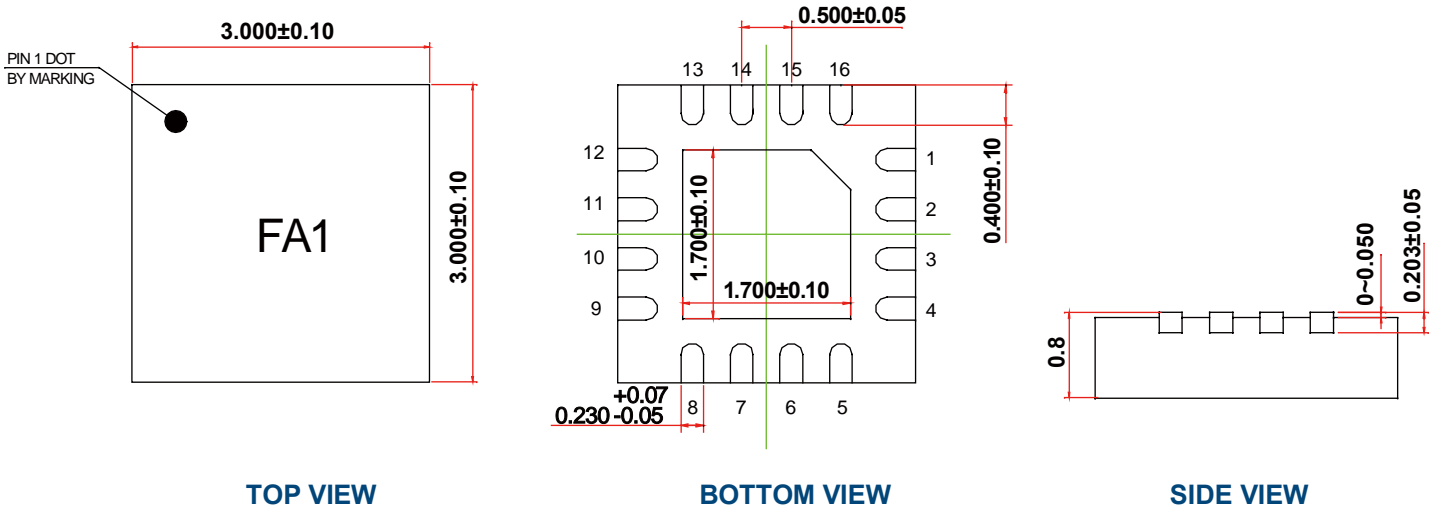
## PD2450U06-180

### Power Divider/Combiner

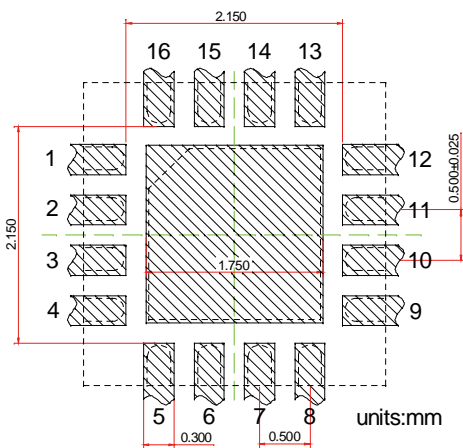
#### 4-Way 0° 50Ω 2.30-2.70 GHz



### Outline Drawing

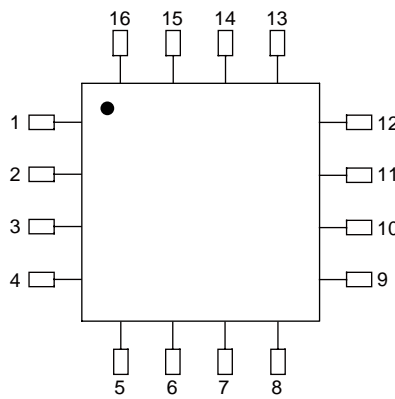


### Land Pattern



Recommended Land Pattern  
Top View

### Pin Out



TOP VIEW

Pin #	Connection
1	GND
2	IN/SUM
3	NC
4	GND
5	GND
6	PORT 1
7	NC
8	PORT 2
9	NC
10	GND
11	GND
12	NC
13	PORT 3
14	NC
15	PORT 4
16	GND
Center Pad	GND

Notes: All dimensions show in millimeters

### Yantel Corporation

Add : 3F, Building 3, Southern District 2 of Zhongguan Honghualing Industrial Park, Xili, Nanshan, Shenzhen, China

Tel : 86-755-8355-1886 Fax : 86-755-8355-2533

For detailed performance specs & shopping online see Yantel web site : [www.yantel-corp.com](http://www.yantel-corp.com)