

PD69108/F
Datasheet
8-Port PSE PoE Manager
September 2019



Contents

1	Revision History	1
1.1	Revision 3.0	1
1.2	Revision 2.0	1
1.3	Revision 1.7	1
1.4	Revision 1.6	1
1.5	Revision 1.5	1
1.6	Revision 1.4	1
1.7	Revision 1.3	1
1.8	Revision 1.2	1
1.9	Revision 0.6	1
1.10	Revision 0.5	2
1.11	Revision 0.4	2
1.12	Revision 0.3	2
1.13	Revision 0.2	2
1.14	Revision 0.1	2
2	Product Overview	3
2.1	Features	3
2.2	Typical Application	4
3	Functional Descriptions	5
3.1	Logic Main Control Module	5
3.1.1	Line Detection Generator	5
3.1.2	Classification Generator	6
3.1.3	Current Limiter	6
3.1.4	Main MOSFET	6
3.1.5	Analog-to-Digital Converter (ADC)	6
3.1.6	Power on Reset (POR)	6
3.1.7	Voltage Regulator	6
3.1.8	CLK	7
3.2	Application Information	7
3.2.1	Line Detection	7
3.2.2	Legacy (Capacitor) Detection	7
3.2.3	Classification	7
3.2.4	Port Start Up	7
3.2.5	Over-Load Detection and Port Shut Down	8
3.2.6	Disconnect Detection	8
3.2.7	Over-Temperature Protection	8
3.2.8	V MAIN Out-of-Range Protection	8

4	Electrical Specifications	10
4.1	Dynamic Characteristics	11
4.2	Absolute Maximum Ratings	13
4.3	Power Dissipation Information	13
5	Pin Descriptions	14
6	Package Specification	18
6.1	RoHS and Solder Reflow Information	18
6.2	Thermal Specifications	20
6.3	Tape and Reel Packaging Information	21
7	Ordering Information	23

1 Revision History

The revision history describes the changes that were implemented in the document. The changes are listed by revision, starting with the most current publication.

1.1 Revision 3.0

Revision 3.0 is published in September 2019. The following is a summary of changes made in revision 3.0 of this document.

- The package marking is updated in the ordering information table. For more information, see [Ordering Information \(see page 23\)](#).
- Figure 5 is updated.

1.2 Revision 2.0

Revision 2.0 was published in March 2018. The format of this document was updated to the latest template.

Part marking is updated. For more information, see [Ordering Information \(see page 23\)](#).

1.3 Revision 1.7

Revision 1.7 was published in July 2015. In revision 1.7 of this document, a NOTE was added specifying "Fuses per port are not required for use in circuits with total power level of up to 3 kW."

1.4 Revision 1.6

Revision 1.6 was published in June 2013. In revision 1.6 of this document, a full temperature range P/N was added.

1.5 Revision 1.5

Revision 1.5 was published in December 2012. In revision 1.5 of this document, Tape and Reel Data was added.

1.6 Revision 1.4

Revision 1.4 was published in February 2012. In revision 1.4 of this document, I_{lim} was updated according to UL and IEEE standards.

1.7 Revision 1.3

Revision 1.3 was published in January 2012. In revision 1.3 of this document, the Footer address was updated.

1.8 Revision 1.2

Revision 1.2 was published in October 2011. In revision 1.2 of this document, Θ_{JC} was added.

1.9 Revision 0.6

Revision 0.6 was published in August 2011. In revision 0.6 of this document, SPI Timing data was added.

1.10 Revision 0.5

Revision 0.5 was published in April 2011. In revision 0.5 of this document, minor corrections were made.

1.11 Revision 0.4

Revision 0.4 was published in July 2010. In revision 0.4 of this document, the catalog numbers metrology and Ordering Information was updated.

1.12 Revision 0.3

Revision 0.3 was published in April 2010. In revision 0.3 of this document, minor corrections were made.

1.13 Revision 0.2

Revision 0.2 was published in January 2010. In revision 0.2 of this document, the Power Dissipation was updated.

1.14 Revision 0.1

Revision 0.1 was published in November 2009. It was the initial release of this document.

2 Product Overview

Microsemi's PD69108/F Power over Ethernet (PoE) manager integrates power, analog, and state-of-the-art logic into a single 48-pin, plastic QFN package. The device is used in Ethernet switches and midspans, enabling network devices to share power and data over the same cable. The PD69108/F device is an eight port, mixed-signal, high-voltage PoE driver.

The PD69108/F enables detection of IEEE802.3at-2009 compliant Type 1 and Type 2 Power Devices (PDs). This ensures safe power feeding and disconnection of ports with full digital control and a minimum of external components.

The PD69108/F device executes all real-time functions as specified in the IEEE802.3af-2003 (AF) and IEEE802.3at-2009 high power (AT) standards. This includes load detection, AF, and AT classification. In addition, the PD69108/F device features Multiple Classification Attempts (MCA) port status monitoring. This provides system-level activities such as power management and MIB support for system management.

The PD69108/F device is designed to detect and disable disconnected ports. This utilizes the DC disconnection methods, as specified in the IEEE 802.3af-2003 and IEEE802.3at-2009 standards.

The PD69108/F device provides PD protection such as over-load, under-load, over-voltage, and short-circuiting. It supports supply voltages ranging from 44 to 57 voltage DC (V_{DC}) with no additional power supply sources. The chip includes built-in internal thermal protection. Optionally, the PD69108/F can detect legacy/pre-standard PD devices.

The PD69108/F is a low-power device using an internal MOSFET and an external 0.36Ω sense resistor.

2.1 Features

- IEEE802.3af-2003 compliant
- IEEE802.3at-2009 compliant, including two-event classification
- Supports pre-standard PD detection
- Supports Cisco devices detection
- Single DC voltage input (44 V_{DC} to 57 V_{DC})
- Input voltage out of range protection
- Wide temperature range: -10°C to 85°C
- PD69108F version covering -40°C to 85°C
- Over-temperature protection
- Low power dissipation (0.36Ω sense resistor and 0.3Ω MOSFET $R_{DS(ON)}$)
- Includes reset command pin
- Four times direct address configuration pins
- Continuous port monitoring and system data
- Configurable load current setting
- Configurable AT/AF modes
- Configurable standard and legacy detection mode
- Power soft start mechanism
- On-chip thermal protection
- Voltage monitoring/protection
- Built in 3.3 V_{DC} and 5 V_{DC} regulators
- Internal power on reset

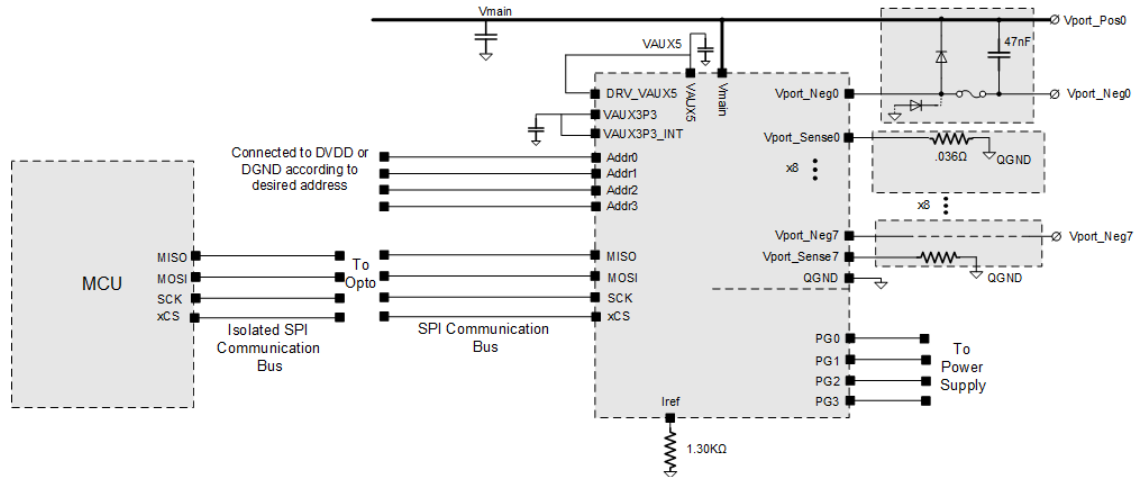
- RoHS compliant
- MSL3
- Emergency power management supporting four configurable power bank I/Os
- Can be cascaded to up to 12 PoE devices (96 ports)

2.2 Typical Application

This typical application illustrates a simple PoE system solution for eight Ethernet ports, switch, or hub.

The positive (POS) and negative (NEG) signals should be connected to the switch RJ45 jack.

Figure 1 • Typical Application



Note: Fuses per port are not required for use in circuits with total power level of up to 3 kW. The PD69108/F is designed to fulfill limited power source (LPS) requirements per the latest editions of IEC60950-1 and EN60950-1.

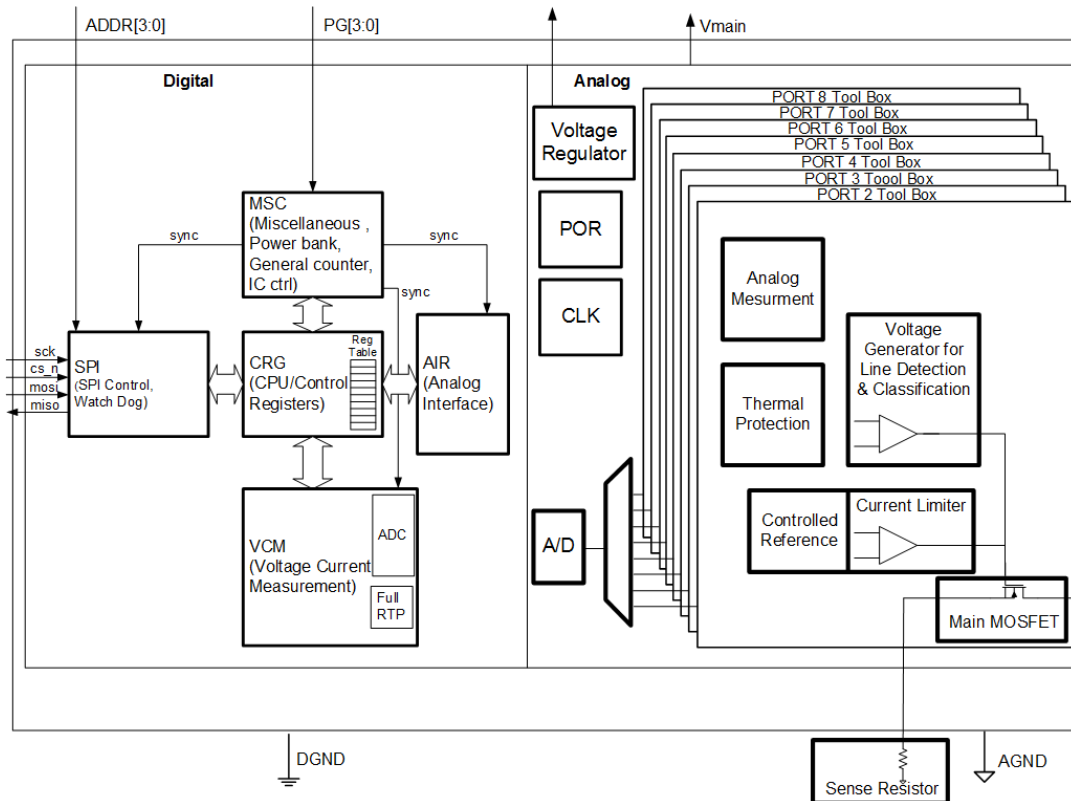
For more information on detailed schematics of application and layout recommendations, contact your local Microsemi account representative.

3 Functional Descriptions

The PD69108/F has two major sections: a digital section that controls and monitors the logical PoE functions (like state machines and timings) and an analog section that performs the front-end analog PoE functionality.

The following illustration shows the internal functional blocks of the PD69108/F device.

Figure 2 • PD69108/F Internal Block Diagram



3.1 Logic Main Control Module

The logic main control module block includes the digital timing mechanisms and state machines. This synchronizes and activates the PoE functions according to the following MCU control commands:

- Real-time protection (RTP)
- Start-up macro (DVDT)
- Load signature detection (RES DET)
- Classification macro (CLASS)
- Voltage and current monitoring registers (VMC)
- ADC interfacing
- Direct digital signals with analog block

3.1.1 Line Detection Generator

Upon request from the MCU to the main control module, four different voltage levels are generated by the line detection generator. This ensures robust AF/AT line detection functionality.

3.1.2 Classification Generator

Upon request from the MCU to the main control module, the state machine applies a regulated class event and mark event voltage to the ports. This is required by the IEEE standard.

3.1.3 Current Limiter

This circuit continuously monitors the current of powered ports and limits the current to a specific value, according to pre-defined limits as set by AF/AT and current_set pins. In cases where the current exceeds this specific level, the system starts to measure the elapsed time. If this time period is greater than a preset threshold, the port is disconnected.

3.1.4 Main MOSFET

This is the main power switching FET, used to control PoE current into the load.

3.1.5 Analog-to-Digital Converter (ADC)

A 10-bit analog-to-digital converter, used to convert analog signals into digital registers for the logic control module.

3.1.6 Power on Reset (POR)

This circuit monitors the internal 3.3 V voltage DC levels. If this voltage drops below specific thresholds, a reset signal is generated and the PD69108/F is reset.

3.1.7 Voltage Regulator

The voltage regulator generates 3.3 V_{DC} and 5 V_{DC} for the internal circuitry. These voltages are derived from the V_{MAIN} supply. To use the internal voltage regulator connect:

- VAUX5 to DRV_VAUX5
- VAUX3P3 to VAUX3P3_INT
- REG_EN_N to AGND

There are two options to reduce the PD69108/F power dissipation by regulating the voltage outside the chip:

- Use an external NPN transistor to regulate the 5 V_{DC}. In this setup, the configuration of the regulator's pins should be:
 - DRV_VAUX5 is connected to the NPN BASE
 - VAUX5 is connected to the NPN EMITTER
 (Connect the **Collector** to VMAIN)
 - VAUX3P3 is connected to VAUX3P3_INT
 - REG_EN_N is connected to AGND
- Supply the PD69108/F with an external 3.3 V voltage regulator. In this setup, the configuration of the regulators pins should be:
 - VAUX5 is connected to DRV_VAUX5
 - VAUX3P3_INT is connected to VAUX5
 - VAUX3P3 is connected to the external 3.3 V
 - REG_EN_N is connected to VAUX3P3

The above two options can be implemented simultaneously.

3.1.8 CLK

CLK is an internal 8 MHz clock oscillator.

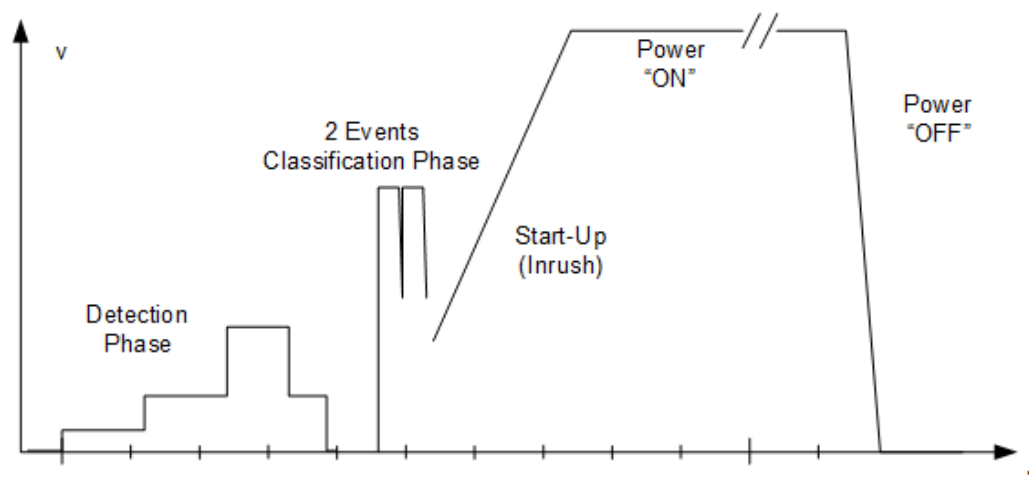
3.2 Application Information

The PD69108/F performs IEEE 802.3af and IEEE 802.3at functionality as well as legacy (capacitor) and Cisco PD detection, in addition to protections such as short circuit and dV/dT protection upon startup.

3.2.1 Line Detection

The line detection feature detects a valid AF or AT load, as specified in the AF/AT standard. The resistor value should range from 19K Ω to 26.5K Ω . Line detection is based on four different voltage levels generated over the PD (the load), as shown in the following illustration.

Figure 3 • Typical PoE Voltage Timing Diagram



3.2.2 Legacy (Capacitor) Detection

In cases where legacy is set, the PD69108/F's detection mechanism is configured to detect and power-up legacy PDs, as well as AF/AT-compliant. This mechanism also detects and powers up Cisco legacy PDs.

3.2.3 Classification

The classification process takes place right after the resistor detection, when the resistor detection has completed successfully. The main goal of the classification process is to detect the PD class, as specified in the IEEE 802.3AF and AT standards. In AF mode, the classification mechanism is based on a single voltage level (single finger). In AT mode, the classification mechanism is based on two voltage levels (dual finger), as defined in IEEE 802.3at-2009.

3.2.4 Port Start Up

Upon a successful detection and classification process, power is applied to the load through a controlled start-up mechanism. During this period, current is limited to 425 mA for a typical duration of 65 mS, which enables the PD load to charge and to enter a steady state power condition.

3.2.5 Over-Load Detection and Port Shut Down

After power up, the PD69108/F automatically initializes its internal protection mechanisms to monitor and disconnect power from the load in cases where extreme conditions (such as over-current or short port terminal scenarios) occur, as specified in the IEEE 802.3AF/AT standard.

3.2.6 Disconnect Detection

The PD69108/F supports the DC disconnect function as per the IEEE 802.3AF/AT standard. This mechanism continuously monitors the load current and disconnects power in cases where the load current is below 7.5 mA (typical) for more than 322 mS.

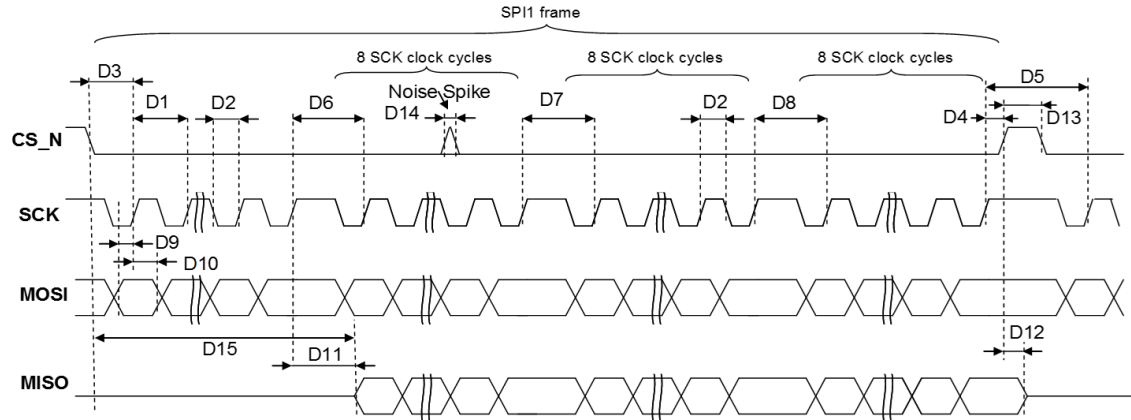
3.2.7 Over-Temperature Protection

The PD69108/F has internal temperature sensors that continuously monitor the main MOSFET junction temperature and disconnect load power when the junction temperature exceeds 200 °C. This mechanism protects the device from extreme events such as high ambient temperature or other thermo-mechanical failures that may damage the PD69108/F.

3.2.8 V MAIN Out-of-Range Protection

The PD69108/F automatically disconnects port power when V_{MAIN} exceeds 60 V_{DC}. This is an extremely valuable feature that protects the load if the main power source is faulty or damaged. The following image shows the SPI detailed timing information.

Figure 4 • SPI Detailed Timing Information



The following table describes the SPI timing details.

Table 1 • SPI Timing Details

Name	Min Delay	Max Delay	Description
D1	714 ns		SPI clock period
D2	45 ns	55 ns	SPI duty cycle
D3	340 ns		SPI_CS setup to SPI clock Positive Edge (delay after SPI_CS active signal)
D4	340 ns		SPI_CS hold to SPI clock Positive Edge (delay before SPI_CS inactive signal)
D5	2 SPI clock cycles		Delay between last SCK in eSPI1 frame and first SCK at adjacent eSPI1 frame.
D6	1 SPI clock cycles		Between byte 0 (IC addr) and byte 1(addr).
D7	1 SPI clock cycles		Between byte 1 (addr) and byte 2(data).
D8	1 SPI clock cycles		Between byte 2 (MS data byte) and byte 3(LS data byte).
D9	340 ns		MOSI setup time
D10	210 ns		MOSI hold time
D11	140 ns		MISO tri-state to valid data from clock positive edge.
D12		300 ns	MISO valid data to tri-state from SPI_CS positive edge.
D13	1 SPI clock cycles		SPI_CS width (Delay eSPI1 frame to adjacent eSPI1 frame).
D14		60 ns	Filtered Glitch Width
D15	D3 + 15.5 SPI clock cycles	D3 + 23.75 SPI clock cycles	MISO tri-state from SPI_CS negative edge to valid data.

4 Electrical Specifications

The following specifications apply to the operating ambient temperature.

Table 2 • PD69108/F Power Supply

Parameter	Symbol	Test Conditions/ Comment	Min.	Typ.	Max.	Unit
Input voltage	V _{MAIN}	Supports full IEEE 802.3 functionality	44	55	57	V
Power supply current at operating mode		V _{MAIN} = 55 V _{DC}			20	mA
5 V output voltage	V _{AUX5}		4.5	5	5.5	V _{DC}
3.3 V output voltage	V _{AUX3P3}		2.97	3.3	3.63	V _{DC}
3.3 V output current		Without external NPN			5	mA
		With external NPN transistor on V _{AUX5}			30	mA
3.3 V input voltage	V _{AUX3P3}	REG_EN_N pin = 3.3 V (internal reg. is disabled) VAUX3P3_INT = 5 V	3	3.3	3.6	V _{DC}

Table 3 • Digital I/O

Parameter	Symbol	Test Conditions/ Comment	Min.	Typ.	Max.	Unit
Input logic, high threshold	V _{IH}		2.2			V
Input logic, low threshold	V _{IL}				0.8	V
Input hysteresis voltage			0.4	0.6	0.8	V
Input high current	I _{IH}		-10		10	μA
Input low current	I _{IL}		-10		10	μA
Output high voltage	V _{OH}	For I _{OH} = -1 mA	2.4			V
Output low voltage	V _{OL}	I _{OH} = 1 mA			0.4	V

Table 4 • PoE Load Currents

Parameter	Symbol	Test Conditions/Comment	Min.	Typ.	Max.	Unit
AF, limit mode	AF_LIM		400	425	450	mA
AT limit	AT_LIM		775	850	925	mA
AT limit dynamic range	Configurable by communication	R _{SENSE} = 0.36 Ω 1% connected at Port_Sense pin	540		1200	mA

Table 5 • Main Power Switching FET

Parameter	Symbol	Typ.	Unit
On resistance	$R_{DS(ON)}$	0.3	Ω
Internal thermal protection threshold		200	$^{\circ}\text{C}$

4.1 Dynamic Characteristics

The PD69108/F utilizes three current level thresholds (I_{MIN} , I_{CUT} , I_{LIM}) and three timers (T_{MIN} , T_{CUT} , T_{LIM}).

- Loads that consume I_{LIM} current for more than T_{LIM} are labeled as "short circuit state" and shut down.
- Loads that dissipate more than I_{CUT} for longer than T_{CUT} are labeled as overloads and are automatically shut down.
- If output power is below I_{MIN} for more than T_{MIN} , the PD is labeled as "no load" and is shut down.

Automatic recovery from overload and no load conditions is attempted every T_{OVLREC} periods (typically, 1 second). Output power is limited to I_{LIM} , which is a maximum peak current allowed at the port.

Table 6 • IEEE 802.3 AF Mode Parameters

Parameter	Symbol	Conditions	Min.	Typ.	Max.	Unit
Automatic recovery from no load shutdown		T_{UDLREC} value, measured from port shutdown point (can be modified through control port)		1		s
Cutoff timer accuracy		Typical accuracy of T_{cut}		2		ms
Inrush current	I_{Inrsh}	For $t = 50$ ms, $C_{load} = 180 \mu\text{F}$ (max)	400		450	mA
Output current operating range	I_{PORT}	Continuous operation after startup period	10		350	mA
Output power available operating range	P_{PORT}	Continuous operation after startup period, at port output	0.57		15.4	W
Off-mode current	I_{MIN1}	Must disconnect for T greater than T_{UVL}	0		5	mA
	I_{MIN2}	May or may not disconnect when T is greater than T_{UVL}	5	7.5	10	mA
PD power maintenance request drop-out time limit	T_{PMDO}	Buffer period to handle transitions	300		400	ms
Over-load current detection range	I_{CUT}	Time limited to T_{OVL}	350		400	mA
Over-load time limit	T_{OVL}		50		75	ms
Turn-on rise time	T_{RISE}	From 10% to 90% of V_{port} (specified for PD load consisting of 100 μF capacitor in parallel to 200 Ω)	15			μs
Turn-off time	T_{OFF}	From V_{port} to 2.8 V _{DC}			500	ms

Parameter	Symbol	Conditions	Min.	Typ.	Max.	Unit
Time maintain power signature	T_{MPS}	DC modulation time for DC disconnect		49		ms

Table 7 • IEEE 802.3 AT Mode Parameters

Parameter	Symbol	Conditions	Min.	Typ.	Max.	Unit
Automatic recovery from no load shutdown		T_{UDLREC} value, measured from port shutdown point (can be modified through control port)		1		Sec
Cutoff timer accuracy		Typical accuracy of T_{cut}		2		ms
Inrush current	I_{Inrsh}	For $t = 50$ ms, $C_{load} = 180$ μ F (max)	400		450	mA
Output current operating range	I_{PORT}	Continuous operation after startup period	10		600	mA
Output power available operating range	P_{PORT}	Continuous operation after startup period, at port output	0.57		36	W
Off-mode current	I_{MIN1}	Must disconnect when T is greater than T_{UVL}	0		5	mA
	I_{MIN2}	May or may not disconnect when T is greater than T_{UVL}	5	7.5	10	mA
PD power maintenance request drop-out time limit	T_{PMDO}	Buffer period to handle transitions	300		400	ms
Over-load current detection range	I_{CUT}	Time limited to T_{OVL}	600		775	mA
Over-load time limit	T_{OVL}		50		75	ms
Turn-on rise time	T_{RISE}	From 10% to 90% of V_{port} (specified for PD load consisting of 100 μ F capacitor in parallel to 200 Ω).	15			μ s
Turn-off time	T_{OFF}	From V_{port} to 2.8 V_{DC}			500	ms
Time maintain power signature	T_{MPS}	DC modulation time for DC disconnect		49		ms

4.2 Absolute Maximum Ratings

The following table shows the absolute maximum ratings for the PD69108.

Exceeding these ratings can cause damage to the device. All voltages are with respect to ground. Currents are marked positive when flowing into a specified terminal and marked negative when flowing out of a specified terminal.

Table 8 • Absolute Maximum Ratings

Parameter	Rating
Supply input voltage (V_{MAIN})	$-0.3 V_{DC}$ to $74 V_{DC}$
Port_Neg [0..7] pins	$-0.3 V_{DC}$ to $74 V_{DC}$
Port_Sense [0..7] pins	$-0.3 V_{DC}$ to $3.6 V_{DC}$
QGND, GND pins	$-0.3 V_{DC}$ to $0.3 V_{DC}$
All other pins	$-0.3 V_{DC}$ to $3.6 V_{DC}$
PD69108 Operating ambient temperature range	$-10^{\circ}C$ to $85^{\circ}C$
PD69108F Operating ambient temperature range	$-40^{\circ}C$ to $85^{\circ}C$
Maximum operating junction temperature	$150^{\circ}C$
Storage temperature range	$-65^{\circ}C$ to $150^{\circ}C$
ESD protection at all I/O pins	JESD22 Class 1C HBM ($\pm 2KV$)

4.3 Power Dissipation Information

The following table shows the power dissipation values of the respective parameters.

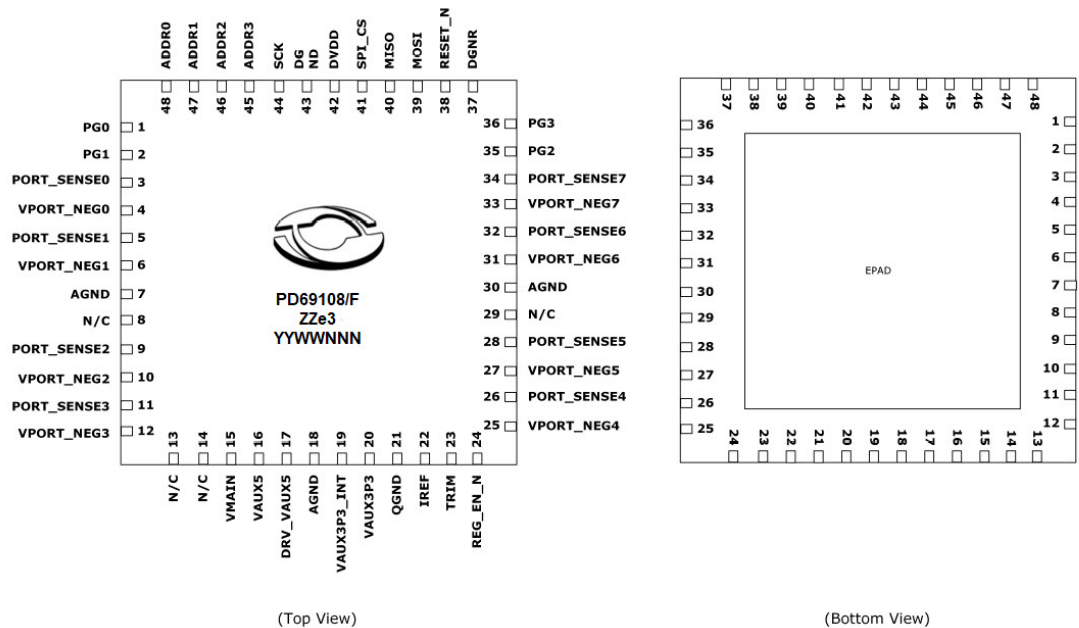
Table 9 • Power Dissipation

Parameter	Value
Rsense power dissipation	$0.36 \Omega \times I_{PORT}^2$
Rds_ON power dissipation	$0.3 \Omega \times I_{PORT}^2$
Pport_AF = 15.4 W	PRsense = 28.2 mW PRds_ON = 23.4 mW
Pport_AT = 30 W	PRsense = 107 mW PRds_ON = 88.5 mW
NOTE: Calculated for supply input voltage of 55 V.	
PD69108 self power dissipation (including internal 3.3 V regulator)	1.1 W
PD69108 8 ports AF application power dissipation	$1.1 W + [8 \times (28.2 mW + 23.4 mW)] = 1.51 W$
PD69108 8 ports AT application power dissipation	$1.1 W + [8 \times (107 mW + 88.5 mW)] = 2.66 W$
PD69108 self power dissipation (including external 3.3 V regulator)	0.5 W
PD69108 AF 8 ports application power dissipation	$0.5 W + [8 \times (28.2 mW + 23.4 mW)] = 0.91 W$
PD69108 8 ports AT application power dissipation	$0.5 W + [8 \times (107 mW + 88.5 mW)] = 2.06 W$

5 Pin Descriptions

The following illustration shows the pin diagram (top and bottom views) for the PD69108/F device.

Figure 5 • PD69108/F Pinout



- PD69108 for –10 °C to 85 °C operating ambient temperature range
- PD69108F for –40 °C to 85 °C operating ambient temperature range

The following table shows the pin descriptions for the PD69108/F device.

Table 10 • Pin Descriptions

Number	Name	Type	Description
	EPAD	Analog ground	Exposed pad; metal plate on the IC bottom side connected to analog ground. A high-quality ground plane (about 500 mil. inch over 500 mil. inch) should be deployed around this pin whenever possible.
1	PG0	Digital input	Power supply monitoring
2	PG1		
3	PORT_SENSE0	Analog input	Sense resistor port input (Connected to 0.36 Ω, 1% resistor to QGND with ~12 mΩ trace for measurements accuracy).
4	VPORT_NEG0	Analog I/O	Negative port output
5	PORT_SENSE1	Analog input	Sense resistor port input (Connected to 0.36 Ω, 1% resistor to QGND with ~12 mΩ trace for measurements accuracy).
6	VPORT_NEG1	Analog I/O	Negative port output
7	AGND	Power	Analog ground.

Number	Name	Type	Description
8	N/C	Power	Not Connected
9	PORT_SENSE2	Analog input	Sense resistor port input (Connected to 0.36 Ω , 1% resistor to QGND with \sim 12 m Ω trace for measurements accuracy)
10	VPORT_NEG2	Analog I/O	Negative port output
11	PORT_SENSE3	Analog input	Sense resistor port input (Connected to 0.36 Ω , 1% resistor to QGND with \sim 12 m Ω trace for measurements accuracy)
12	VPORT_NEG3	Analog I/O	Negative port output
13	N/C	Analog I/O	Test pin (for production use only); keep open (not connected).
14	N/C		
15	V _{MAIN}	Power	Supplies voltage for the internal analog circuitry. A low ESR 1 μ F (or higher) bypass capacitor, connected to AGND should be placed as close as possible to this pin through low resistance traces.
16	VAUX5	Power	Regulated 5 V _{DC} output voltage source; it needs to be connected to a filtering capacitor of 4.7 μ F or higher. If an external NPN is used to regulate the voltage, connect this pin to the "Emitter" (the "collector" should be connected to V _{MAIN}).
17	DRV_VAUX5	Power	Zapping input for IC production trimming. Should be connected to DVDD.
18	AGND	Power	Analog ground
19	VAUX3P3_INT	Power	Connected to VAX3P3 (pin 20) if internal 3.3 V _{DC} regulator is used. Connect to VAUX5 (pin 16) if external 3.3 V _{DC} regulator is used.
20	RESET_N	Power	Regulated 3.3 V output voltage source. A 4.7 μ F or higher filtering capacitor should be connected between this pin and AGND. When an external 3.3 V _{DC} regulator is used, connect it to this pin to supply the chip.
21	QGND	Power	Quiet analog ground.
22	IREF	Analog input	Reference resistor pin. Connect a 30.1 k Ω 1% resistor to QGND.
23	TRIM	Analog input	Trimming Input for IC production. It should be connected to VAUX3P3.
24	REG_EN_N	REG_EN_N	Enable/Disable the internal 3.3 V _{DC} regulator in case an external 3.3 V _{DC} is used to supply the chip. GND: Internal regulator enabled. 3.3 VDC: Internal regulator disabled
25	Reserved	Analog I/O	Keep this pin open (un-connected).
26	AGND		Connect to analog ground
27	Reserved		Keep this pin open (un-connected)
28	AGND		Connect to analog ground
29	N/C		Not Connected
30	AGND	Power	Analog ground
31	Reserved		Keep this pin open (un-connected)

Number	Name	Type	Description
32	AGND		Connect to analog ground
33	Reserved		Keep this pin open (un-connected)
34	AGND		Connect to analog ground
35	PG2	Digital input	Power supply monitoring
36	PG3		
37	TST	Digital I/O	Test pin for production use only. Keep connected to DGND.
38	RESET_N	Digital input	Reset input; active low ('0' = reset) An external 10K pull-up resistor should be connected between this pin and DVDD.
39	MOSI	Digital input	SPI bus, Master Data out/slave in
40	MISO	Digital output	SPI bus, Master Data in/slave out
41	SPI_CS	Digital input	SPI bus, Chip Select
42	DVDD	Power	Digital 3.3 V input. It needs to be connected to filtering capacitor of 1 μ F.
43	DGND	Digital I/O	Digital GND
44	SCK	Digital input	SPI bus, serial clock input
45	ADDR3	Digital input	SPI address bit 3 to set chip address.
46	ADDR2	Digital Input	SPI address bit 2 to set chip address.
47	ADDR1	Digital input	SPI address bit 1 to set chip address.
48	ADDR0	Digital input	SPI address bit 0 to set chip address.

Address Pin Description (ADDR<3:0>)

The following tables shows the address pin description for the PD69108/F device.

Note: 0 = Connect to DGND (digital ground), 1 = connect to DVDD (3.3 V).

Table 11 • Address Pin Description

ADDR3	ADDR2	ADDR1	ADDR0	SPI ADDRESS [HEX]
0	0	0	0	0
0	0	0	1	1
0	0	1	0	2
0	0	1	1	3
0	1	0	0	4
0	1	0	1	5

ADDR3	ADDR2	ADDR1	ADDR0	SPI ADDRESS [HEX]
0	1	1	0	6
0	1	1	1	7
1	0	0	0	8
1	0	0	1	9
1	0	1	0	A
1	0	1	1	B
1	1	0	0	C
1	1	0	1	D
1	1	1	0	E - Broadcast ¹
1	1	1	1	F

Note:

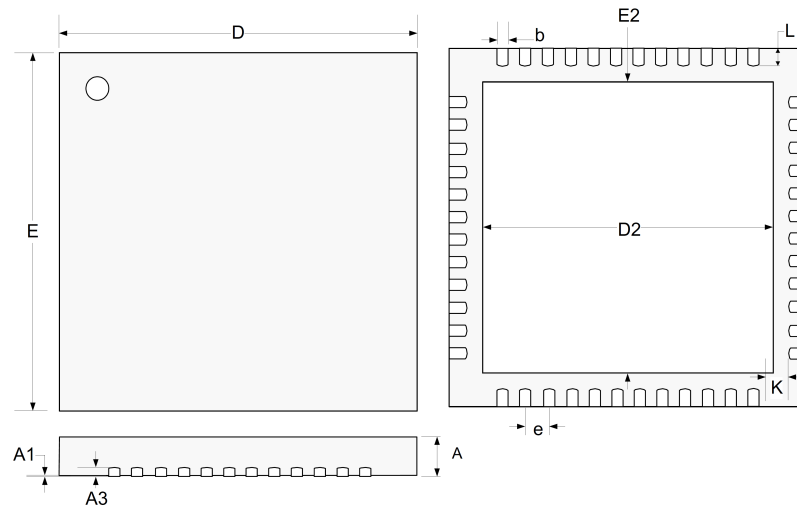
1. This address is used for Broadcast. Do not set any PD69108/Fs in the system to this address.

6 Package Specification

This section shows the package drawing, RoHS and solder reflow information, and thermal specifications for the PD69108/F device.

The following illustration shows the QFN package for the PD69108/F device. This package measures 8 mm by 8 mm and is a 48-pin QFN.

Figure 6 • QFN Package



The dimensions do not include protrusions. The protrusions do not exceed 0.155 mm (0.006 in) on any side. The lead dimensions do not include solder coverage.

The following table shows the dimensions for the QFN package.

Table 12 • Package Dimensions

Dimension	Millimeters		Inches	
	Min.	Max.	Min.	Max.
A	0.80	1.00	0.031	0.039
A1	0.00	0.05	0	0.002
A3	0.20 REF		0.008 REF	
K	0.20 MIN		0.008 MIN	
e	0.50 BSC		0.02 BSC	
L	0.30	0.50	0.012	0.02
b	0.18	0.30	0.007	0.012
D2	6.35	6.60	0.250	0.260
E2	6.35	6.60	0.250	0.260
D	8.00 BSC		0.315 BSC	
E	8.00 BSC		0.315 BSC	

6.1 RoHS and Solder Reflow Information

The PD69108/F device is rated RoHS 6/6. The package is lead(Pb)-free, with a 100% matte tin finish. The package peak temperature for solder reflow (40 seconds maximum exposure) is 260 °C (0 °C–5 °C).

The following table shows the classification reflow profile information.

Table 13 • Classification Reflow Profiles

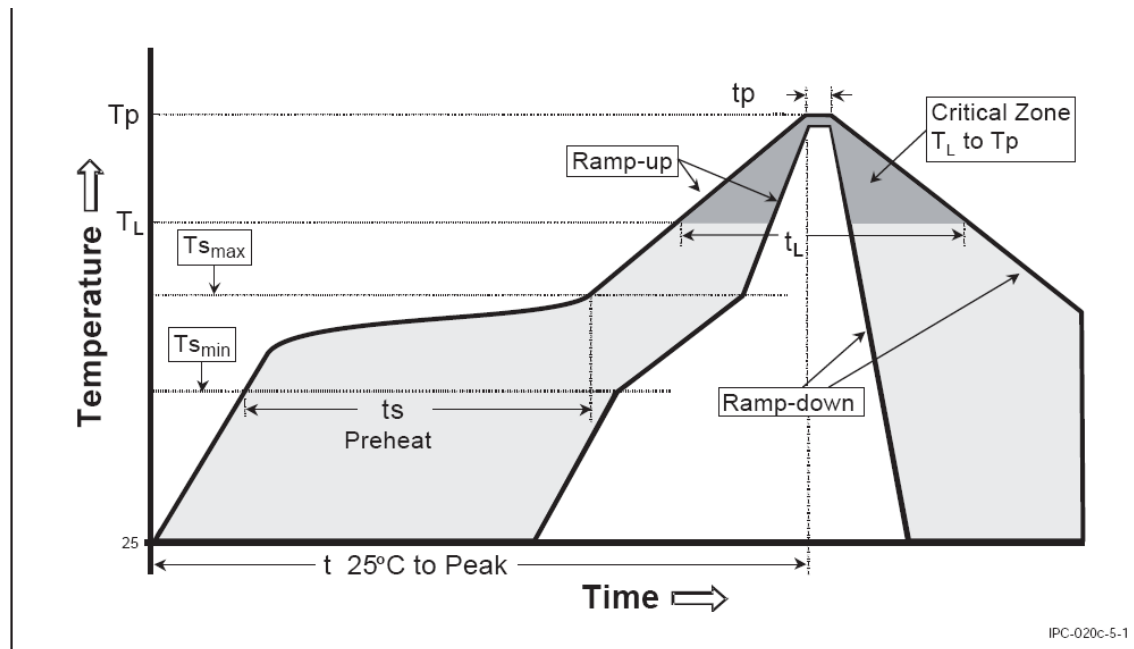
Profile Feature	Pb-Free Assembly
Average ramp-up rate (TS _{max} to Tp)	3 °C/s max
Preheat	150 °C
Temperature min (TS _{min})	200 °C
Temperature max (TS _{max})	60–180 s
Time (t _{smin} to t _{smax})	
Time maintained	217 °C
Temperature (T _i)	60–150 s
Time (t _i)	
Peak classification temperature (Tp)	240 - 255 °C
Time within 5 °C of actual peak temperature (tp)	20–40 s
Ramp-down rate	6 °C/s max
Time 25 °C to peak temperature	8 minutes max

Note: All temperatures refer to topside of the package, measured on the package body surface.

Note: Exceeding these ratings can cause damage to the device.

Following is the classification reflow profile diagram.

Figure 7 • Classification Reflow Profile Diagram



6.2 Thermal Specifications

The following table shows the thermal specifications for the PD69108/F device.

Table 14 • Thermal Specifications

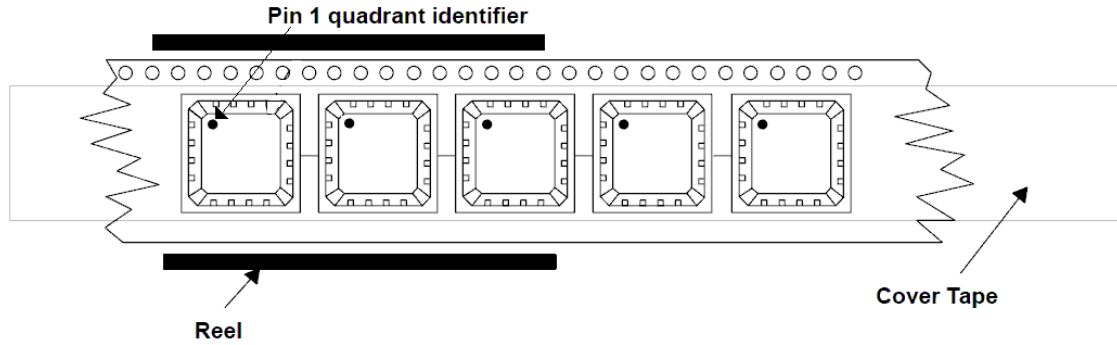
Parameter	Value
Typical thermal resistance: junction to ambient	25 °C/W
Typical thermal resistance: junction to case	4 °C/W

The θ_{JA} numbers are guidelines for the thermal performance of the device/PC-board system. All specifications assume no ambient airflow.

6.3 Tape and Reel Packaging Information

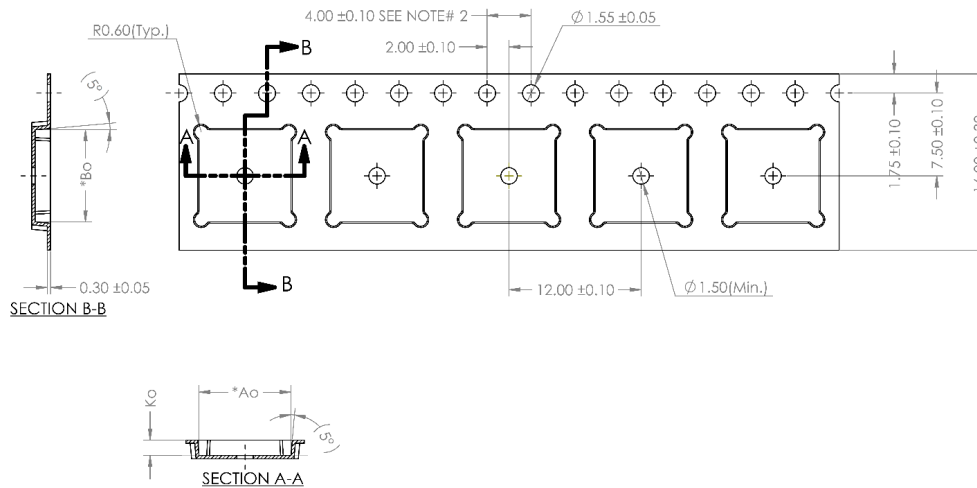
The following figure shows the Pin-1 orientation of QFN packages for the PD69108/F device.

Figure 8 • Pin-1 Orientation of QFN Packages Diagram



The following figures represents the tape and reel shipment specifications.

Figure 9 • Tape Shipment Specifications



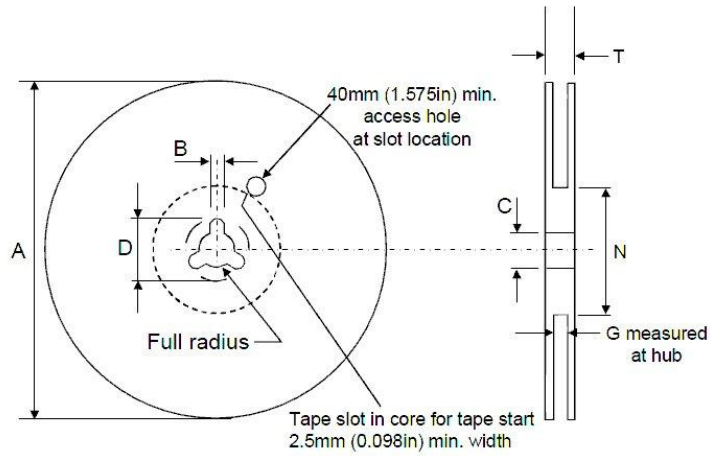
The following table shows the tape mechanical data:

Table 15 • Tape Mechanical Data

Dimensions	(mm)
Ao	8.35 ± 0.10
Bo	8.35 ± 0.10
Ko	1.40 ± 0.10
K1	N/A
Pitch	12.00 ± 0.10
Width	16.00 ± 0.30

The following image shows the reel shipment specifications for the PD69108/F device.

Figure 10 • Reel Shipment Specifications



The following table lists the reel specification details for the PD69108/F device.

Table 16 • Reel Mechanical Data

Component	Dimension (mm)	Dimension (in.)
Tape size	16.00 ±0.3	0.630 ±0.012
A max	330	13
B max	1.5	0.059
C	13.0 ±0.20	0.512 ±0.008
D min	20.2	0.795
N min	50	1.968
G	16.4+2.0/-0.0	0.645+0.079/-0.0
T max	29	1.142
Base Quantity	2000 pcs	

7 Ordering Information

Table 17 • Ordering Information

Part Number	Package	Temperature	Part Marking
PD69108ILQ	Plastic 48 pin QFN 8 mm × 8 mm	–10 °C to 85 °C	Microsemi Logo PD69108 ZZ e3 YYWWNNN
PD69108FILQ	Plastic 48 pin QFN 8 mm × 8 mm	–40 °C to 85 °C	Microsemi Logo PD69108F ZZ e3 YYWWNNN

Note: Available in tape and reel. Append the letters TR to the part number.

1. ZZ e3: ZZ = Random Character with no meaning, and e3 = 2nd Level Interconnect.
2. YY = Year, WW = Week, NNN = Trace Code.

**Microsemi Headquarters**

One Enterprise, Aliso Viejo,
CA 92656 USA

Within the USA: +1 (800) 713-4113

Outside the USA: +1 (949) 380-6100

Sales: +1 (949) 380-6136

Fax: +1 (949) 215-4996

Email: sales.support@microsemi.com

www.microsemi.com

© 2015-2019 Microsemi. All rights reserved. Microsemi and the Microsemi logo are trademarks of Microsemi Corporation. All other trademarks and service marks are the property of their respective owners.

Microsemi makes no warranty, representation, or guarantee regarding the information contained herein or the suitability of its products and services for any particular purpose, nor does Microsemi assume any liability whatsoever arising out of the application or use of any product or circuit. The products sold hereunder and any other products sold by Microsemi have been subject to limited testing and should not be used in conjunction with mission-critical equipment or applications. Any performance specifications are believed to be reliable but are not verified, and Buyer must conduct and complete all performance and other testing of the products, alone and together with, or installed in, any end-products. Buyer shall not rely on any data and performance specifications or parameters provided by Microsemi. It is the Buyer's responsibility to independently determine suitability of any products and to test and verify the same. The information provided by Microsemi hereunder is provided "as is, where is" and with all faults, and the entire risk associated with such information is entirely with the Buyer. Microsemi does not grant, explicitly or implicitly, to any party any patent rights, licenses, or any other IP rights, whether with regard to such information itself or anything described by such information. Information provided in this document is proprietary to Microsemi, and Microsemi reserves the right to make any changes to the information in this document or to any products and services at any time without notice.

Microsemi, a wholly owned subsidiary of Microchip Technology Inc. (Nasdaq: MCHP), offers a comprehensive portfolio of semiconductor and system solutions for aerospace & defense, communications, data center and industrial markets. Products include high-performance and radiation-hardened analog mixed-signal integrated circuits, FPGAs, SoCs and ASICs; power management products; timing and synchronization devices and precise time solutions; setting the world's standard for time; voice processing devices; RF solutions; discrete components; enterprise storage and communication solutions; security technologies and scalable anti-tamper products; Ethernet solutions; Power-over-Ethernet ICs and midspans; as well as custom design capabilities and services. Microsemi is headquartered in Aliso Viejo, California, and has approximately 4,800 employees globally. Learn more at www.microsemi.com.

PD-000307817