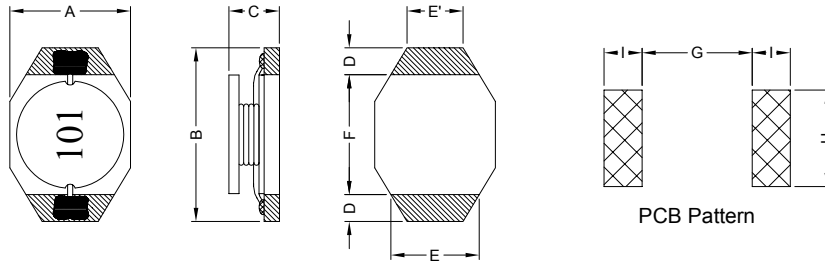


1. PART NO. EXPRESSION :

P D B 1 6 0 8 1 R 0 M Z F
 (a) (b) (c) (d)(e)(f)

- (a) Series code
- (b) Dimension code
- (c) Inductance code : 1R0 = 1.0uH
- (d) Tolerance code : M = ±20%
- (e) X, Y, Z : Standard part
- (f) F : Lead Free

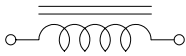
2. CONFIGURATION & DIMENSIONS :



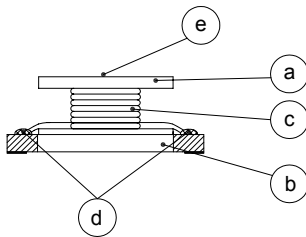
Unit:m/m

A	B	C	D	E	E'	F	G	H	I
4.45 Max.	6.60 Max.	2.92 Max.	1.02 Ref.	3.05 Ref.	1.27 Ref.	4.32 Ref.	4.06 Ref.	3.56 Ref.	1.40 Ref.

3. SCHEMATIC :



4. MATERIALS :



- (a) Core : DR Ferrite Core
- (b) Base : Ceramic Base
- (c) Wire : Enamelled Copper Wire
- (d) Adhesive : Epoxy
- (e) Ink : Bon Margue

5. GENERAL SPECIFICATION :

- a) Temp. rise : 15°C Typ. at Irms
- b) Rated current : ΔL/L0A = 10% Typ. at Isat
- c) Operating temp. : -40°C to +110°C
- d) Resistance to solder heat : 260°C.10 secs



RoHS Compliant

NOTE : Specifications subject to change without notice. Please check our website for latest information.

05.05.2008



SUPERWORLD ELECTRONICS (S) PTE LTD

6. ELECTRICAL CHARACTERISTICS :

Part No.	Inductance (μ H)	Test Frequency (Hz)	SRF (MHz) Typ.	RDC (Ω) Max.	I _{rms} (A)	I _{sat} (A)
PDB16081R0MZF	1.0 \pm 20%	100K	130.0	0.05	2.90	2.90
PDB16081R5MZF	1.5 \pm 20%	100K	115.0	0.05	2.80	2.60
PDB16082R2MZF	2.2 \pm 20%	100K	90.0	0.07	2.40	2.30
PDB16083R3MZF	3.3 \pm 20%	100K	70.0	0.08	2.00	2.00
PDB16084R7MZF	4.7 \pm 20%	100K	50.0	0.09	1.50	1.50
PDB16086R8MZF	6.8 \pm 20%	100K	45.0	0.13	1.40	1.20
PDB1608100MZF	10.0 \pm 20%	100K	35.0	0.16	1.10	1.10
PDB1608150MZF	15.0 \pm 20%	100K	30.0	0.23	1.00	0.90
PDB1608220MZF	22.0 \pm 20%	100K	20.0	0.37	0.80	0.70
PDB1608330MZF	33.0 \pm 20%	100K	15.0	0.51	0.60	0.58
PDB1608470MZF	47.0 \pm 20%	100K	14.0	0.64	0.50	0.50
PDB1608680MZF	68.0 \pm 20%	100K	11.0	0.86	0.40	0.50
PDB1608101MZF	100.0 \pm 20%	100K	9.0	1.27	0.30	0.31
PDB1608151MZF	150.0 \pm 20%	100K	6.0	2.00	0.25	0.27
PDB1608221MZF	220.0 \pm 20%	100K	5.5	3.11	0.20	0.22
PDB1608331MZF	330.0 \pm 20%	100K	5.0	3.80	0.16	0.18
PDB1608471MZF	470.0 \pm 20%	100K	4.0	6.20	0.15	0.16
PDB1608681MZF	680.0 \pm 20%	100K	3.0	9.20	0.12	0.14
PDB1608102MZF	1000.0 \pm 20%	100K	2.0	13.80	0.07	0.10



RoHS Compliant

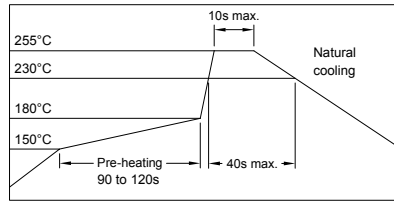
NOTE : Specifications subject to change without notice. Please check our website for latest information.

05.05.2008



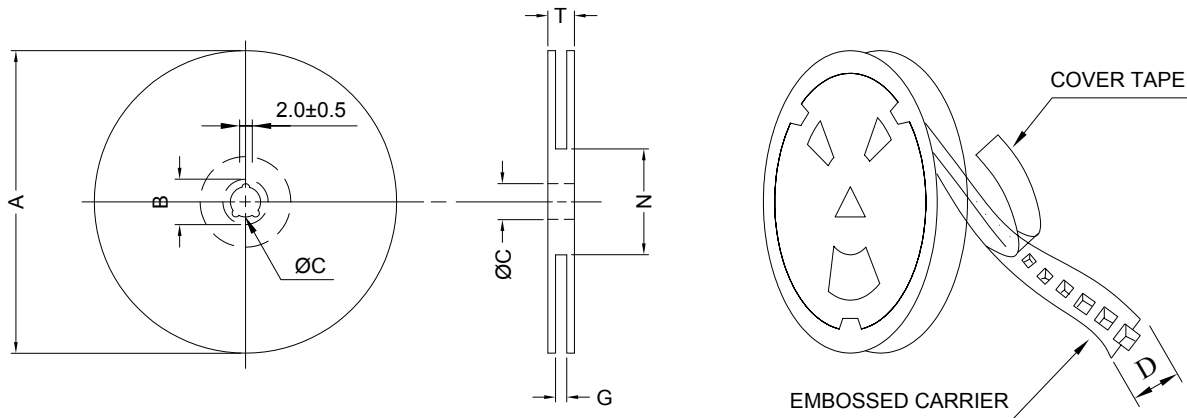
SUPERWORLD ELECTRONICS (S) PTE LTD

RECOMMENDED SOLDERING CONDITIONS REFLOW SOLDERINGS

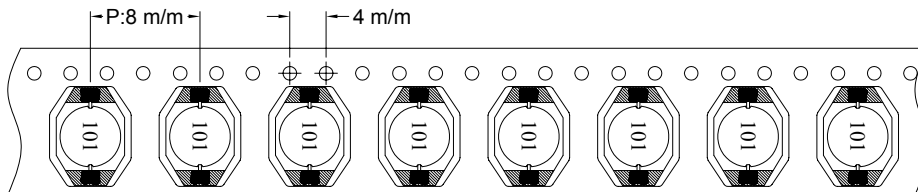


7. PACKAGING INFORMATION :

(1) CONFIGURATION



* CARRIER TAPE WIDTH : D



(2) DIMENSIONS

Unit:m/m

STYLE	A	B	C	D	G	N	T
13-16	330	21±0.8	13	16	18 ⁻⁰	50 ⁻⁰	22.4

(3) Q'TY & G.W. PER PACKAGE

SERIES	INNER : REEL			OUTER : CARTON		
	Q'TY (PCS)	G.W. (gw)	STYLE	Q'TY (PCS)	G.W. (Kg)	SIZE (cm)
PDB1608	2000	800	13-16	12000	8.3	40 x 40 x 24



RoHS Compliant

NOTE : Specifications subject to change without notice. Please check our website for latest information.

05.05.2008



SUPERWORLD ELECTRONICS (S) PTE LTD

8. RELIABILITY AND TEST CONDITION :

TEST ITEM	SPECIFICATION	TEST CONDITION															
SOLDERABILITY	MORE THAN 90% OF THE TERMINAL ELECTRODE SHALL BE COVERED WITH FRESH SOLDER.	PREHEAT : 125±25°C FOR 60 SECONDS SOLDER : 99%Sn/0.3%Ag/0.7%Cu OR EQUIVALENT SOLDER TEMP. : 245±5°C FLUX : ROSIN DIP TIME : 4±1 SECONDS															
THERMAL SHOCK TEST (TEMP. CYCLE)	INDUCTANCE SHALL NOT CHANGE MORE THAN ±20%	<table border="0"> <tr> <td>ROOM TEMP.</td> <td>→</td> <td>-25±2°C</td> </tr> <tr> <td>15 MINUTES</td> <td></td> <td>30 MINUTES</td> </tr> <tr> <td> </td> <td></td> <td></td> </tr> <tr> <td>ROOM TEMP.</td> <td>→</td> <td>85±2°C</td> </tr> <tr> <td>15 MINUTES</td> <td></td> <td>30 MINUTES</td> </tr> </table> TOTAL : 50 CYCLES	ROOM TEMP.	→	-25±2°C	15 MINUTES		30 MINUTES	 			ROOM TEMP.	→	85±2°C	15 MINUTES		30 MINUTES
ROOM TEMP.	→	-25±2°C															
15 MINUTES		30 MINUTES															
ROOM TEMP.	→	85±2°C															
15 MINUTES		30 MINUTES															
HUMIDITY RESISTANCE TEST		TEMPERATURE : 40±2°C HUMIDITY : 90 ~ 95% APPLIED CURRENT : PER SPEC. TIME : 500 HOURS															
HIGH TEMP. RESISTANCE TEST		TEMPERATURE : 85±2°C APPLIED CURRENT : PER SPEC. TIME : 500 HOURS															

9. UL CARD :

OBMW2 **November 30, 2000**
Magnet Wire - Component
PACIFIC ELECTRIC WIRE & CABLE (SHENZHEN) CO LTD **E201757**
607 BAOLONG INDUSTRIAL ESTATE LONGGANG, SHENZHEN
GUANGDONG CHINA

Mtl Dsg	BC	Coating Type	TC	ANSI Type	TI
UEW/U		Polyurethane	—	—	130
PEW/U		Polyester	—	MW5-C	155°C
PEWH/U		Modified Polyester	—	MW30-C	180
PEW-NY/U		Polyester	Polyamide	MW24-C	155
HAI/U		Polyester(Amide)(Imide)	Polyamideimide	MW35,73	200
UEW-NY/U		Polyurethane	Polyamide	MW80-C	155
				MW28-C	130

Marking: Company name and material designation or marked designation on package or reel, and Recognized Component Mark.

See General Information Preceding These Recognitions

1/3/2001 **Underwriters Laboratories Inc.** Card 1 of 2



RoHS Compliant

NOTE : Specifications subject to change without notice. Please check our website for latest information.

05.05.2008