


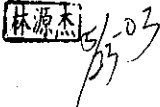
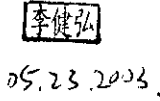
久立光電股份有限公司
 POWERTIP DISPLAY CORPORATION

LCM SPECIFICATION (DRAWING)

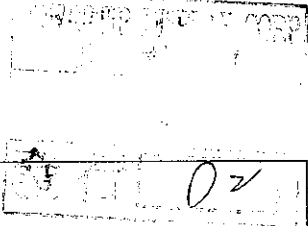
CUSTOMER : Gemini Technology Co

MODEL : S-GFC00085A-0

DRAWING NO : MD00085A2

APPROVED	CHECKED	ORGANIZED
		

CUSTOMER APPROVED BY:



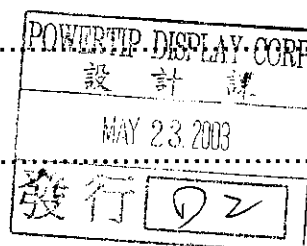
台中市台中工業區 407 工業六路八號
 No.8, 6 th Road Taichung Industrial Park Taichung 407 Taiwan, R.O.C

TEL : 886-4-23556888, FAX : 886-4-23556898



POWERTIP DISPLAY CORP.

Contents	Page
1. Mechanical Specification & Diagram.....	3
2. Absolute Maximum Rating.....	5
3. Electrical Characteristics.....	5
4. Optical Characteristics.....	6
5. Optical Definitions.....	6
6. Interface Pin Function.....	8
7. Block Diagram.....	11
8. Power supply for LCD module.....	12
9. Standard Specifications for Reliability.....	13
10. Specification of Quality Assurance.....	15





POWERTIP DISPLAY CORP.

1. Mechanical Specification & Diagram

1.1 Mechanical Specification

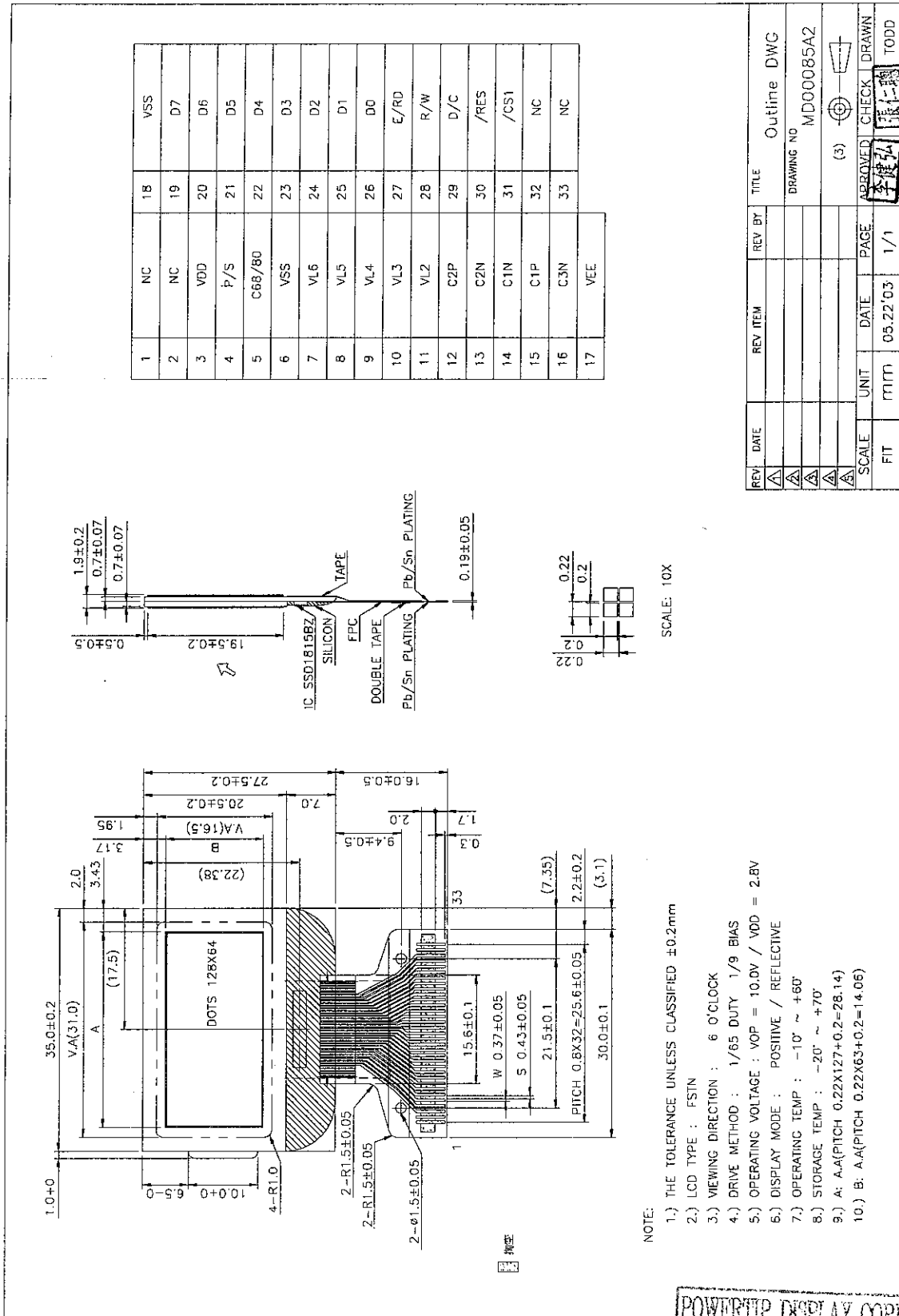
ITEM	STANDARD VALUE	UNIT
NUMBER OF CHARACTERS	128 × 64	DOTS
MODULE DIMENSION	35.0 (W) × 43.5 (H) × 1.9 (T)	mm
EFFECTIVE DISPLAY AREA	31.0 (W) × 16.5 (H)	mm
DOT SIZE	0.2 (W) × 0.2 (H)	mm
DOT PITCH	0.22 (W) × 0.22 (H)	mm
APPROX. WEIGHT	TBD	g
LCD TYPE	FSTN (Positive / Reflective)	
DRIVER METHOD	Duty: 1/65 Bias: 1/9	
VIEWING DIRECTION	6 O'clock	
BACK LIGHT	-----	
DRIVER IC	SSD1815BZ	

POWERTIP DISPLAY CORP.
設計課
MAY 23 2003
發行 D2



POWERTIP DISPLAY CORP.

1.2 Mechanical Diagram



1	NC	1B	VSS
2	NC	19	D7
3	VDD	20	D6
4	P/S	21	D5
5	C68/80	22	D4
6	VSS	23	D3
7	VL5	24	D2
8	VL5	25	D1
9	VL4	26	D0
10	VL3	27	E/RD
11	VL2	28	R/W
12	C2P	29	D/C
13	C2N	30	/RES
14	C1N	31	/CS1
15	C1P	32	NC
16	C3N	33	NC
17	VEE		

REV	DATE	REV ITEM	REV BY	TITLE
A				Outline DWG
B				DRAWING NO. MDD00085A2
C				(3)
D				APPROVED CHECK DRAWN
E				李健弘 張仁聰
FIT	UNIT	DATE	PAGE	TODD
	mm	05.22'03	1/1	

SCALE: 10X

- NOTE:
- 1.) THE TOLERANCE UNLESS CLASSIFIED ±0.2mm
 - 2.) LCD TYPE : FSTN
 - 3.) VIEWING DIRECTION : 6 O'CLOCK
 - 4.) DRIVE METHOD : 1/65 DUTY 1/9 BIAS
 - 5.) OPERATING VOLTAGE : VOP = 10.0V / VDD = 2.8V
 - 6.) DISPLAY MODE : POSITIVE / REFLECTIVE
 - 7.) OPERATING TEMP : -10° ~ +60°
 - 8.) STORAGE TEMP : -20° ~ +70°
 - 9.) A: A.A(PITCH 0.22X127+0.2=28.14)
 - 10.) B: A.A(PITCH 0.22X63+0.2=14.06)

POWERTIP DISPLAY CORP.

POWERTIP DISPLAY CORP.
 設計課
 MAY 23 2003
 發行



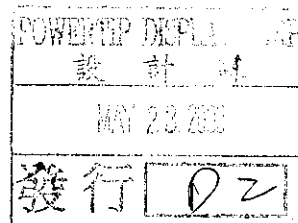
POWERTIP DISPLAY CORP.

2. Absolute Maximum Rating

ITEM	SYMBOL	MIN	TYP	MAX	UNIT
OPERATING TEMPERATURE	T_{OP}	-10	-	+60	°C
STORAGE TEMPERATURE	T_{ST}	-20	-	+70	°C
INPUT VOLTAGE	V_I	$V_{SS}-0.3$	-	$V_{DD}+0.3$	V
SUPPLY VOLTAGE FOR LOGIC	$V_{DD}-V_{SS}$	-0.3	-	+4.0	V
SUPPLY VOLTAGE FOR LCD	$V_{DD}-V_{L6}$	-12.0	-	-1.8	V
SUPPLY VOLTAGE	Be sure that you are grounded when handing LCM.				
STATIC ELECTRICITY					

3. Electrical Characteristics

ITEM	SYMBOL	CONDITION	MIN.	TYP.	MAX.	UNIT
SUPPLY VOLTAGE FOR LOGIC	$V_{DD}-V_{SS}$	$T_a=25^{\circ}C$	-	2.8	-	V
SUPPLY VOLTAGE FOR LCD	$V_{DD}-V_5$ (V_{OP})	$T_a=25^{\circ}C$	-	10	-	V
INPUT HIGH VOL.	V_{IH}	$T_a=25^{\circ}C$	$0.8V_{DD}$	-	V_{DD}	V
INPUT LOW VOL.	V_{IL}	$T_a=25^{\circ}C$	0	-	$0.2V_{DD}$	V
OUTPUT HIGH VOL.	V_{OH}	$T_a=25^{\circ}C$	$0.9V_{DD}$	-	V_{DD}	V
OUTPUT LOW VOL.	V_{OL}	$T_a=25^{\circ}C$	0	-	$0.1V_{DD}$	V
SUPPLY CURRENT	I_{DD}	$V_{DD}=2.8V$	-	TBD	-	mA



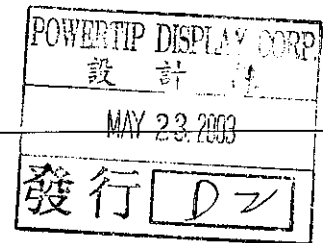


POWERTIP DISPLAY CORP.

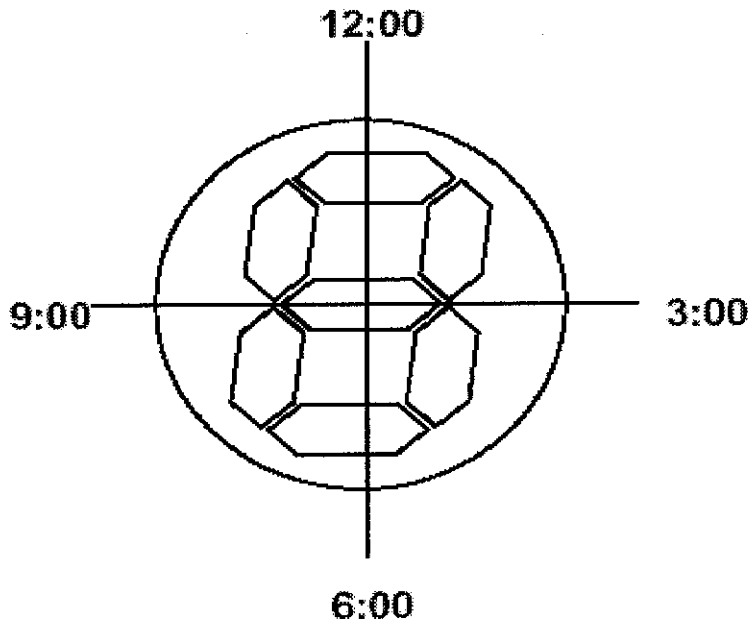
4. Optical Characteristics

FSTN

ITEM	SYMBOL	CONDITIO N	MIN.	TYP.	MAX.	UNIT
VIEW ANGLE (V)	θ	CR \cong 2	-40	-	+40	Deg.
VIEW ANGLE (H)	Φ	CR \cong 2	-40	-	+40	Deg.
CONTRAST RATIO	CR	Ta=25°C	-	5	-	-
RESPONSE TIME	Tr	Ta=25°C	-	200	400	ms
RESPONSE TIME	Td	Ta=25°C	-	200	400	ms

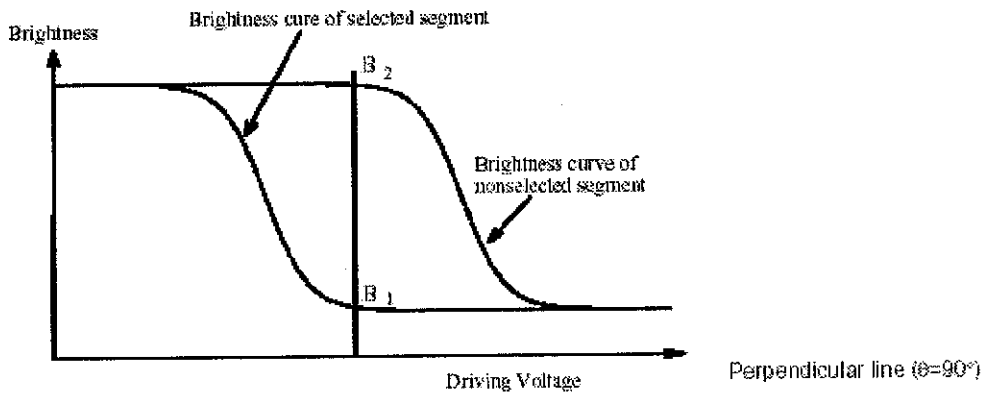
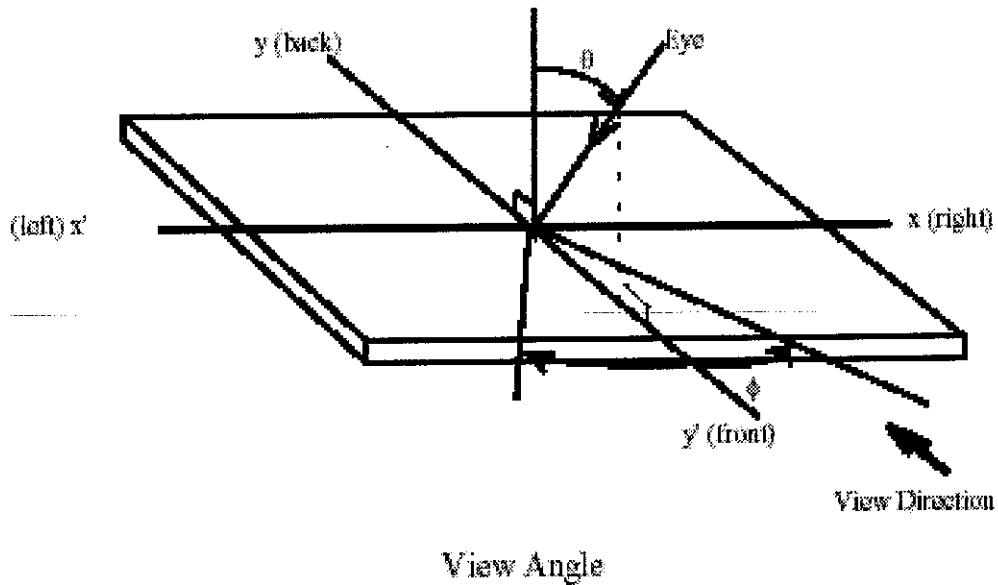


5. Optical Definitions





POWERTIP DISPLAY CORP.



$$\text{Contrast ratio} = \frac{\text{Brightness at nonselected segment (B2)}}{\text{Brightness at selected segment (B1)}}$$

Contrast ratio (CR)

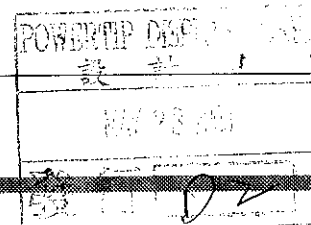
POWERTIP DISPLAY CORP.
 設計課
 MAY 23 2003
 發行 | 02 |



POWERTIP DISPLAY CORP.

6. Interface Pin Function

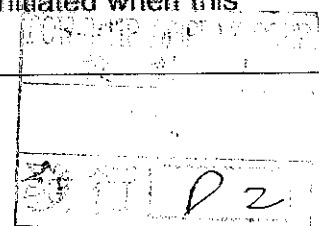
NO	SYMBOL	FUNCTION
1	NC	NULL
2	NC	NULL
3	VDD	Chip's Power Supply pin. This is also the reference for the DC-DC Converter output and LCD driving voltages.
4	P/S	This pin is serial/parallel interface selection input. When this pin is pulled high, parallel interface mode is selected. When it is pulled low, serial interface will be selected.
5	C68/80	This pin is MCU parallel interface selection input. When the pin is pulled high, 6800 series interface is selected and when the pin is pulled low, 8080 series interface is selected.
6	VSS	Ground. A reference for the logic pins.
7	VL6	This pin is the most negative LCD driving voltage. It can be supplied externally or generated by turning on the internal regulator option in the Set Power Control Register command.
8	VL5	<p>These are the LCD driving voltage levels. All these levels are referenced to V_{DD}.</p> <p>They can be supplied externally or generated by the internal bias divider, by turning on the output op-amp buffers option in the Set Power Control Register command.</p> <p>The potential relation of these pins are given as:</p> $V_{DD} > V_{L2} > V_{L3} > V_{L4} > V_{L5} > V_{L6}$ <p>and with bias factor, a,</p> $V_{L2} - V_{DD} = 1/a * (V_{L6} - V_{DD})$ $V_{L3} - V_{DD} = 2/a * (V_{L6} - V_{DD})$ $V_{L4} - V_{DD} = (a-2)/a * (V_{L6} - V_{DD})$ $V_{L5} - V_{DD} = (a-1)/a * (V_{L6} - V_{DD})$
9	VL4	
10	VL3	
11	VL2	
12	C2P	
13	C2N	<p>When internal DC-DC voltage converter is used, external capacitor(s) is/are connected between these pins. Different connection will result in different DC-DC converter multiple factor, 2X, 3X or 4X. Detail connections please refer to voltage converter section in the functional block description.</p>
14	C1N	
15	C1P	
16	C3N	





POWERTIP DISPLAY CORP.

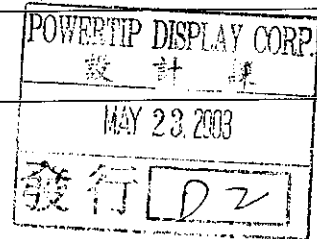
NO	SYMBOL	FUNCTION
17	VEE	<p>This is the most negative voltage supply pin of the chip. It can be supplied externally or generated by the internal DC-DC converter, by turning on the internal voltage booster option in the Set Power Control Register command.</p> <p>When using internal DC-DC converter as generator, voltage at this pin is for internal reference only. It CANNOT be used for driving external circuitries.</p>
18	VSS	Ground. A reference for the logic pins.
19	D7	<p>These pins are the 8-bit bi-directional data bus to be connected to the MCU in parallel interface mode. D₇ is the MSB while D₀ is the LSB.</p>
20	D6	
21	D5	
22	D4	
23	D3	
24	D2	
25	D1	
26	D0	
27	E/RD	<p>This pin is MCU interface input. When interfacing to an 6800-series microprocessor, this pin will be used as the Enable (E) signal. Read/write operation is initiated when this pin is pulled high when the chip is selected.</p> <p>When connecting to an 8080-microprocessor, this pin receives the Read (RD) signal. Data read operation is initiated when this pin is pulled low when the chip is selected.</p>
28	R/W	<p>This pin is MCU interface input. When interfacing to an 6800-series microprocessor, this pin will be used as Read/Write (R/W) selection input. Read mode will be carried out when this pin is pulled high and write mode when low.</p> <p>When interfacing to an 8080-microprocessor, this pin will be the Write (WR) input. Data write operation is initiated when this pin is pulled low when the chip is selected.</p>





POWERTIP DISPLAY CORP.

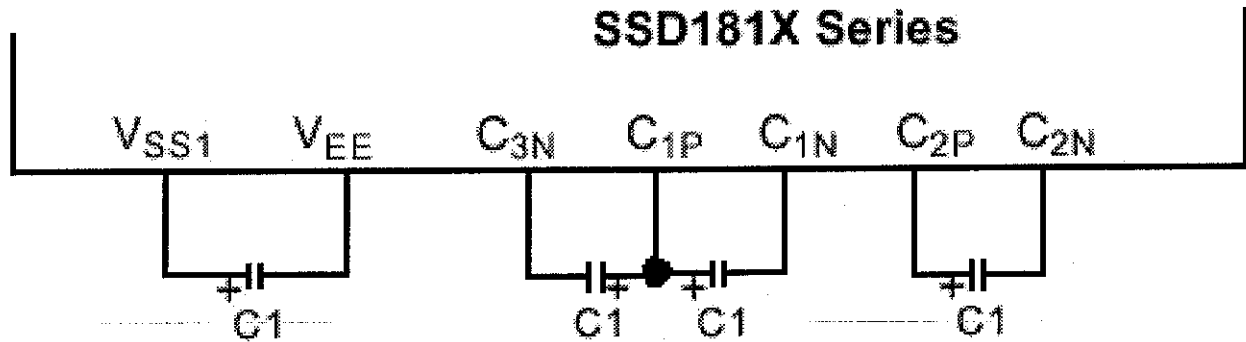
NO	SYMBOL	FUNCTION
29	D/C	This pin is Data/Command control pin. When the pin is pulled high, the data at D ₇ -D ₀ is treated as display data. When the pin is pulled low, the data at D ₇ -D ₀ will be transferred to the command register. Details relationship with other MCU interface signals, please refer to the Timing Characteristics Diagrams.
30	/RES	This pin is reset signal input. Initialization of the chip is started once this pin is pulled low. Minimum pulse width for completing the reset procedure is 1us.
31	/CS1	These pins are the chip select inputs. The chip is enabled for MCU communication only when both CS1 is pulled low and CS2 is pulled high.
32	NC	NULL
33	NC	NULL





POWERTIP DISPLAY CORP.

8. Power supply for LCD module



4X Boosting Configuration

Remarks:

1. $C1 = 0.47 - 1.0\mu F$
2. Boosting input from V_{SS1} .
3. V_{SS1} should be lower potential than or equal to V_{SS}
4. All voltages are referenced to V_{DD}



POWERTIP DISPLAY CORP.

9. Specification of Quality Assurance

1. Purpose

This standard for Quality Assurance should affirm the quality of LCD module products to supply to purchaser by POWERTIP DISPLAY CORPORATION (Supplier).

2. Standard for Quality Test

2.1 Inspection:

Before delivering, the supplier should take the following tests, and affirm the quality of product.

2.2 Electro-Optical Characteristics:

According to the individual specification to test the product.

2.3 Test of Appearance Characteristics:

According to the individual specification to test the product.

2.4 Test of Reliability Characteristics:

According to the definition of reliability on the specification for testing products.

2.5 Delivery Test:

Before delivering, the supplier should take the delivery test.

2.5.1 Test method: According to MIL-STD-105E, General Inspection Level II take a single time.

2.5.2 The defects classify of AQL as following:

Major defect: AQL=0.65

Minor defect: AQL=2.5

Total defects: AQL=2.5

3. Nonconforming Analysis & Deal With Manners

3.1 Nonconforming analysis:

3.1.1 Purchaser should supply the detail data of non-conforming sample and the non-suitable state.

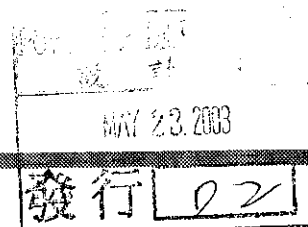
3.1.2 After accepting the detail data from purchaser, the analysis of nonconforming should be finished in two weeks.

3.1.3 If supplier can not finish analysis on time, must announce purchaser before two weeks.

3.2 Disposition of nonconforming:

3.2.1 If find any product defect of supplier during assembly time, supplier must change the good product for every defect after recognition.

3.2.2 Both supplier and customer should analyze the reason and discuss the disposition of nonconforming when the reason of nonconforming is not sure.





POWERTIP DISPLAY CORP.

4. Agreement items

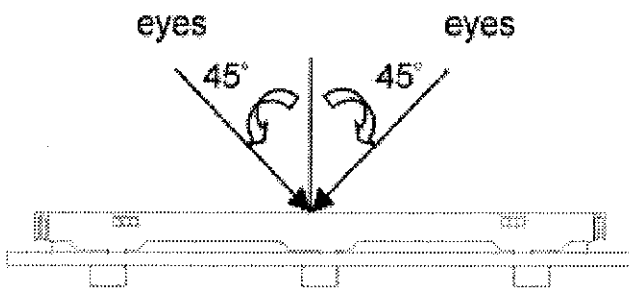
Both sides should discuss together when the following problems happen.

- 4.1 There is any problem of standard of quality assurance, and both sides think that must be modifier.
- 4.2 There is any argument item which does not record in the standard of quality assurance.
- 4.3 Any other special problem.

5. Standard of The Product Appearance Test

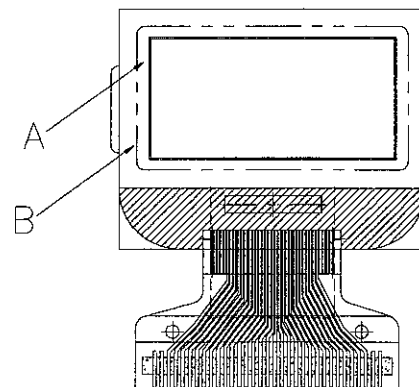
5.1 Manner of appearance test:

- 5.1.1 The test must be under 20W × 2 or 40W fluorescent light, and the distance of view must be at 30 cm.
- 5.1.2 When test the model of Tran missive product must add the reflective plate.
- 5.1.3 The test direction is base on about around 45° of vertical line.



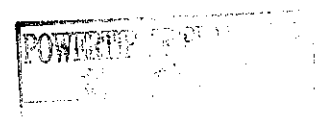
5.1.4 Definition of area:

- A Area : Viewing area.
- B Area : Out of viewing area.
(Outside viewing area)



5.2 Basic principle:

- 5.2.1 It will accord to the AQL when the standard can not be described.
 - 5.2.2 The sample of the lowest acceptable quality level must be discussed by both supplier and customer when any dispute happened.
 - 5.2.3 Must add new item on time when it is necessary.
- 5.3 Standard of inspection:(Unit: mm)



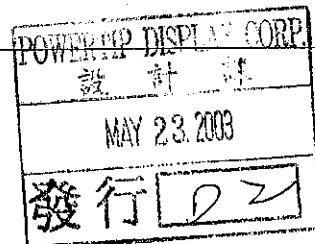


POWERTIP DISPLAY CORP.

10. Standard Specification for Reliability

1. Standard Specification for Reliability of Wide-Temperature COG

NO	Item	Description
1.	High temperature operation	The sample should be allowed to stand at $60 \pm 3^{\circ}\text{C}$ for 240(-0,+48) hours under driving condition.
2.	Low temperature operation	The sample should be allowed to stand at $-10 \pm 3^{\circ}\text{C}$ for 240(-0,+48) hours under driving condition.
3.	High temperature resistance	The sample should be allowed to stand at $70 \pm 3^{\circ}\text{C}$ for 240(-0,+48) hours under no-load condition, and then returning it to normal temperature condition, and allowing it stand for 30 minutes.
4.	Low temperature resistance	The sample should be allowed to stand at $-20 \pm 3^{\circ}\text{C}$ for 240(-0,+48) hours under no-load condition, then returning it to normal temperature condition, and allowing it stand for 24 hours.
5.	Moisture resistance	The sample should be allowed to stand at $40 \pm 3^{\circ}\text{C}$, 90%RH MAX for 240(-0,+48) hours under no-load condition excluding the polarize, then taking it out and drying it at normal temperature.
6.	Thermal shock resistance	The sample should be allowed to stand the following 10 Cycles of operation : 0°C for 30 minutes \rightarrow normal temperature for 5 minutes $\rightarrow +70^{\circ}\text{C}$ for 30 minutes \rightarrow normal temperature for 5 minutes, as one cycle.
7.	ESD (Electrostatic Discharge)	Human Body Model : 2000 volt electrical discharge from a 100 pF capacitor to the tested device in series with a 1500 ohm resistor. Apply VDD & VSS to LCD module unit. Test for functionality no missing lines after the discharge, but LCD module may reset. Machine model : 200 volt electrical discharge from a 200 pF capacitor to the tested device with no series resistance. Apply to VDD & VSS to LCD module unit without including hand phone. Test for functionality no any missing lines after the discharge, but LCD module can be reset if display off.



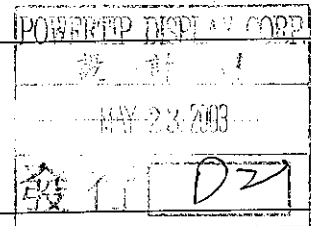


POWERTIP DISPLAY CORP.

2. Testing Conditions and Inspection Criteria

In order to do the final test the testing sample must be in room temperature for 24hours, to ensure stability.

NO	Item	Test Model	Inspection Criteria
1.	Current Consumption	Refer To Specification	The current must be under three times of initiated test.
2.	Contrast	Refer To Specification	The contrast must be large than half of initiated test.
3.	Appearance	Visual inspection	Defect free.



3. Life Time

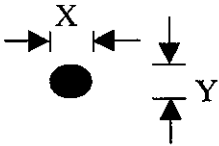
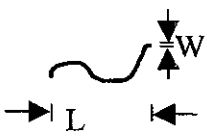
NO	Item	Description
1.	Life time	Functions, performance, appearance, etc. shall be free from remarkable deterioration within 50,000 hours under ordinary operating and storage conditions room temperature ($25 \pm 10^{\circ}\text{C}$), normal humidity ($45 \pm 20\% \text{ RH}$), and in area not exposed to direct sun light.
2.	Life time	Functions, performance, appearance, etc. shall be free from remarkable deterioration within 5,000 hours under ordinary operating and storage conditions high temperature 70°C , normal humidity($45 \pm 20\% \text{ RH}$), and in area not exposed to direct sun light.

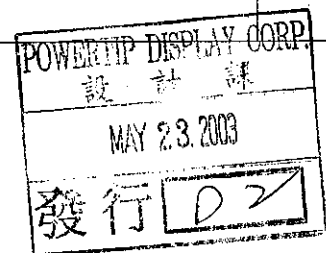
Note : From our experience the life time of high humidity operation and high temperature operation as above mentioned could be achieved.



POWERTIP DISPLAY CORP.

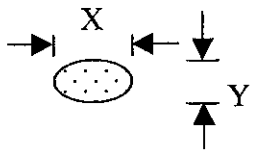
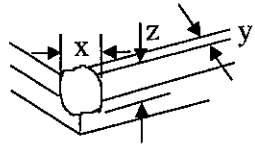
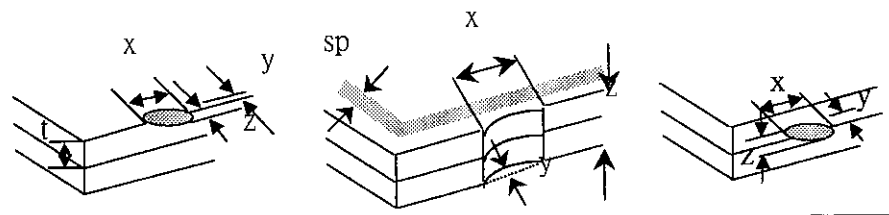
Standard of inspection:(Unit: mm)

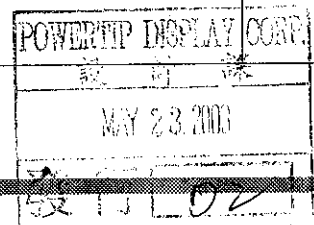
NO	Item	Criterion	AQL														
1.	Electrical Testing	1.1 Missing vertical, horizontal segment, segment contrast defect. 1.2 Missing character , dot or icon. 1.3 Display malfunction. 1.4 No function or no display. 1.5 Current consumption exceeds product specifications. 1.6 LCD viewing angle defect. 1.7 Mixed product types. 1.8 Contrast defect.	0.65														
2.	LCD black spots, white spots, contamination	2.1 Round type : As following drawing $\phi = (x + y) / 2$  <table border="1" data-bbox="742 913 1316 1214"> <thead> <tr> <th>SIZE</th> <th>Acceptable Q'TY</th> </tr> </thead> <tbody> <tr> <td>$\phi \leq 0.10$</td> <td>Accept no dense</td> </tr> <tr> <td>$0.10 < \phi \leq 0.20$</td> <td>2</td> </tr> <tr> <td>$0.20 < \phi \leq 0.25$</td> <td>1</td> </tr> <tr> <td>$0.25 < \phi$</td> <td>0</td> </tr> </tbody> </table>	SIZE	Acceptable Q'TY	$\phi \leq 0.10$	Accept no dense	$0.10 < \phi \leq 0.20$	2	$0.20 < \phi \leq 0.25$	1	$0.25 < \phi$	0	2.5				
		SIZE	Acceptable Q'TY														
$\phi \leq 0.10$	Accept no dense																
$0.10 < \phi \leq 0.20$	2																
$0.20 < \phi \leq 0.25$	1																
$0.25 < \phi$	0																
		2.2 Line type : (As following drawing)  <table border="1" data-bbox="694 1339 1340 1639"> <thead> <tr> <th>Length</th> <th>Width</th> <th>Acceptable Q'TY</th> </tr> </thead> <tbody> <tr> <td>-----</td> <td>$W \leq 0.02$</td> <td>Accept no dense</td> </tr> <tr> <td>$L \leq 3.0$</td> <td>$0.02 < W \leq 0.03$</td> <td rowspan="2">3</td> </tr> <tr> <td>$L \leq 2.5$</td> <td>$0.03 < W \leq 0.05$</td> </tr> <tr> <td>-----</td> <td>$0.05 < W$</td> <td>As round type</td> </tr> </tbody> </table>	Length	Width	Acceptable Q'TY	-----	$W \leq 0.02$	Accept no dense	$L \leq 3.0$	$0.02 < W \leq 0.03$	3	$L \leq 2.5$	$0.03 < W \leq 0.05$	-----	$0.05 < W$	As round type	2.5
Length	Width	Acceptable Q'TY															
-----	$W \leq 0.02$	Accept no dense															
$L \leq 3.0$	$0.02 < W \leq 0.03$	3															
$L \leq 2.5$	$0.03 < W \leq 0.05$																
-----	$0.05 < W$	As round type															





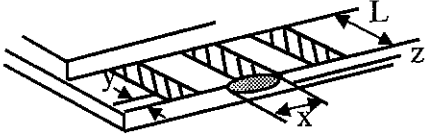
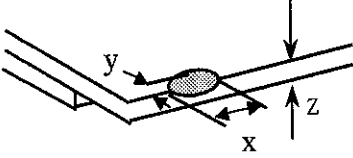
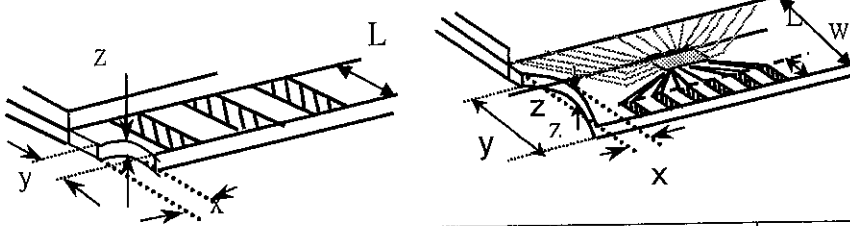
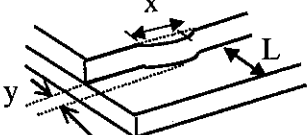
POWERTIP DISPLAY CORP.

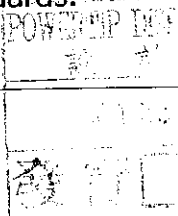
NO	Item	Criterion	AQL																		
3.	Polarize bubbles	$\phi = (x + y) / 2$  <table border="1" data-bbox="710 392 1316 705"> <thead> <tr> <th>Size ϕ</th> <th>Acceptable Q'TY</th> </tr> </thead> <tbody> <tr> <td>$\phi \leq 0.20$</td> <td>Accept no dense</td> </tr> <tr> <td>$0.20 < \phi \leq 0.50$</td> <td>3</td> </tr> <tr> <td>$0.50 < \phi \leq 1.00$</td> <td>2</td> </tr> <tr> <td>$1.00 < \phi$</td> <td>0</td> </tr> <tr> <td>Total Q'TY</td> <td>3</td> </tr> </tbody> </table>	Size ϕ	Acceptable Q'TY	$\phi \leq 0.20$	Accept no dense	$0.20 < \phi \leq 0.50$	3	$0.50 < \phi \leq 1.00$	2	$1.00 < \phi$	0	Total Q'TY	3	2.5						
Size ϕ	Acceptable Q'TY																				
$\phi \leq 0.20$	Accept no dense																				
$0.20 < \phi \leq 0.50$	3																				
$0.50 < \phi \leq 1.00$	2																				
$1.00 < \phi$	0																				
Total Q'TY	3																				
4.	Scratches	Follow NO.2 LCD black spots, white spots, contamination																			
5.	Glass Crack	<p>Symbols :</p> <p>x : Chip length y : Chip width z : Chip thickness</p> <p>t : Glass thickness a : LCD side length</p> <p>L : Electrode pad length</p> <p>5.1 General glass crack :</p> <p>5.1.1 Corner crack :</p>  <table border="1" data-bbox="542 1220 1340 1377"> <thead> <tr> <th>z :</th> <th>y</th> <th>x</th> </tr> </thead> <tbody> <tr> <td>$Z \leq 1/2t$</td> <td>Not over viewing area</td> <td>$x \leq 1/8a$</td> </tr> <tr> <td>$1/2t < Z \leq 2t$</td> <td>Not exceed 1/2 SP width</td> <td>$x \leq 1/8a$</td> </tr> </tbody> </table> <p>⊙If there are 2 or more chips, x is the total length of each chip.</p> <p>5.1.2 Crack on panel surface and crack between panels :</p>  <table border="1" data-bbox="542 1792 1340 1948"> <thead> <tr> <th>z</th> <th>y</th> <th>x</th> </tr> </thead> <tbody> <tr> <td>$Z \leq 1/2t$</td> <td>Not over viewing area</td> <td>$x \leq 1/8a$</td> </tr> <tr> <td>$1/2t < Z \leq 2t$</td> <td>Not exceed 1/2 SP width</td> <td>$x \leq 1/8a$</td> </tr> </tbody> </table>	z :	y	x	$Z \leq 1/2t$	Not over viewing area	$x \leq 1/8a$	$1/2t < Z \leq 2t$	Not exceed 1/2 SP width	$x \leq 1/8a$	z	y	x	$Z \leq 1/2t$	Not over viewing area	$x \leq 1/8a$	$1/2t < Z \leq 2t$	Not exceed 1/2 SP width	$x \leq 1/8a$	2.5
z :	y	x																			
$Z \leq 1/2t$	Not over viewing area	$x \leq 1/8a$																			
$1/2t < Z \leq 2t$	Not exceed 1/2 SP width	$x \leq 1/8a$																			
z	y	x																			
$Z \leq 1/2t$	Not over viewing area	$x \leq 1/8a$																			
$1/2t < Z \leq 2t$	Not exceed 1/2 SP width	$x \leq 1/8a$																			





POWERTIP DISPLAY CORP.

NO	Item	Criterion	AQL												
		<p>5.2 Protrusion over terminal :</p> <p>5.2.1 Crack on electrode pad :</p> <p>※ Top of the glass :</p>  <p>※ Bottom of the glass :</p>  <table border="1" data-bbox="475 689 1339 869"> <thead> <tr> <th></th> <th>y</th> <th>x</th> <th>z</th> </tr> </thead> <tbody> <tr> <td>top of the glass</td> <td>$y \leq 0.5 \text{ mm}$</td> <td>$x \leq 1/8a$</td> <td>$0 < z \leq t$</td> </tr> <tr> <td>back of the glass</td> <td>Not over viewing area</td> <td>$x \leq 1/8a$</td> <td>$0 < z \leq t$</td> </tr> </tbody> </table>		y	x	z	top of the glass	$y \leq 0.5 \text{ mm}$	$x \leq 1/8a$	$0 < z \leq t$	back of the glass	Not over viewing area	$x \leq 1/8a$	$0 < z \leq t$	2.5
	y	x	z												
top of the glass	$y \leq 0.5 \text{ mm}$	$x \leq 1/8a$	$0 < z \leq t$												
back of the glass	Not over viewing area	$x \leq 1/8a$	$0 < z \leq t$												
5.	Glass Crack	<p>5.2.2 Non-conductive portion :</p>  <table border="1" data-bbox="552 1196 1321 1368"> <thead> <tr> <th>KIND</th> <th>y</th> <th>x</th> <th>z</th> </tr> </thead> <tbody> <tr> <td>General</td> <td>$y \leq L$</td> <td>$x \leq 1/8a$</td> <td>$z \leq t$</td> </tr> <tr> <td>COG</td> <td>$y \leq w$</td> <td>Not touch the ITO terminal</td> <td>$z \leq t$</td> </tr> </tbody> </table> <p>※ the alignment mark must not be damaged.</p>	KIND	y	x	z	General	$y \leq L$	$x \leq 1/8a$	$z \leq t$	COG	$y \leq w$	Not touch the ITO terminal	$z \leq t$	2.5
KIND	y	x	z												
General	$y \leq L$	$x \leq 1/8a$	$z \leq t$												
COG	$y \leq w$	Not touch the ITO terminal	$z \leq t$												
		<p>5.2.3 Glass chip remain</p>  <table border="1" data-bbox="671 1675 1139 1778"> <tbody> <tr> <td>y : width</td> <td>x : length</td> </tr> <tr> <td>$y \leq 1/3L$</td> <td>$x \leq a$</td> </tr> </tbody> </table>	y : width	x : length	$y \leq 1/3L$	$x \leq a$	2.5								
y : width	x : length														
$y \leq 1/3L$	$x \leq a$														
6.	Backlight elements	<p>6.1 Illumination source flickers when lit.</p> <p>6.2 Spots or scratches that appear when lit must be judged . using LCD spot, lines and contamination standards.</p> <p>6.3 Backlight doesn't light or color is wrong.</p>	0.65 2.5 0.65												





POWERTIP DISPLAY CORP.

NO	Item	Criterion	AQL
7.	General appearance	7.1 No oxidation, contamination, curves or, bends on interface pin (OLB) of TCP.	2.5
		7.2 No cracks on interface pin (OLB) of TCP.	0.65
		7.3 No contamination, solder residue or solder balls on product.	2.5
		7.4 The IC on the TCP may not be damaged.	2.5
		7.5 The uppermost edge of the protective strip on the interface pin must be present or look as if it cause the interface pin to sever.	2.5
		7.6 The residual rosin or tin oil of soldering (component or chip component) is not burned into brown or black color.	2.5
		7.7 Sealant on top of the ITO circuit has not hardened	
		7.8 Pin type must match type in specification sheet.	0.65
		7.9 LCD pin loose or missing pins.	0.65
		7.10 Product packaging must the same as specified on packaging specification sheet.	0.65
		7.11 Product dimension and structure must conform to product specification sheet .	0.65

