



Precision SMA Female to ZMA Jack Adapter 3 Lug

TECHNICAL DATA SHEET

PE91074

Precision SMA Female to ZMA Jack Adapter 3 Lug

Pasternack's ZMA Adapters use a clocked bayonet-style mating method suitable for applications requiring robust mechanical connections, such as high vibration and high coupling force environments. This line of ZMA adapters is designed for limited space applications requiring superb RF performance up to 18GHz and offer VSWR as low as 1.15:1. ZMA's 3-Lug or 4-Lug designs can be mated by hand with one-third or one-quarter turn, respectively -no special tooling is required.

- Available in 18 GHz SMA-ZMA Configurations
- 3-Lug or 4-Lug Options Available
- Passivated Stainless Steel Bodies with Gold Plated Center Contacts
- VSWR as low as 1.15
- Bayonet Style Interface decreases mechanical deterioration in heavy-use test environments

Configuration

Connector 1	SMA Female
Impedance 1	50 Ohms
Connector 2	ZMA Jack
Impedance 2	50 Ohms
Adapter Design	Precision
Body Style	Straight

Electrical Specifications

Frequency Range, GHz	DC to 18
Maximum VSWR	1.15:1
Maximum Insertion Loss, dB	0.21

Mechanical Specifications

Temperature

Operating Range, deg C	-55 to +100
------------------------	-------------

Size

Length, in [mm]	0.814 [20.68]
-----------------	---------------

Connector 1

Type	SMA Female
Inner Conductor Material and Plating	Beryllium Copper, Gold
Inner Conductor Plating Specification	MIL-G-45204
Outer Conductor Material and Plating	Passivated Stainless Steel
Outer Conductor Plating Specification	ASTM A380
Body Material and Plating	Passivated Stainless Steel
Body Plating Specification	ASTM A380
Dielectric Type	PTFE

Click the following link (or enter part number in "SEARCH" on website) to obtain additional part information including price, inventory and certifications: [Precision SMA Female to ZMA Jack Adapter 3 Lug PE91074](#)

The information contained in this document is accurate to the best of our knowledge and representative of the part described herein. It may be necessary to make modifications to the part and/or the documentation of the part, in order to implement improvements. Pasternack reserves the right to make such changes as required. Unless otherwise stated, all specifications are nominal.



Precision SMA Female to ZMA Jack Adapter 3 Lug

TECHNICAL DATA SHEET

PE91074

Connector 2

Type	ZMA Jack
Inner Conductor Material and Plating	Beryllium Copper, Gold
Inner Conductor Plating Specification	MIL-G-45204
Outer Conductor Material and Plating	Passivated Stainless Steel
Outer Conductor Plating Specification	ASTM A830
Body Material and Plating	Passivated Stainless Steel
Body Plating Specification	ASTM A830
Dielectric Type	PTFE

Compliance Certifications (visit www.Pasternack.com for current document)

RoHS Compliant	Yes
----------------	-----

Plotted and Other Data

Notes:	Values at 25 °C, sea level
--------	----------------------------

Precision SMA Female to ZMA Jack Adapter 3 Lug from Pasternack Enterprises has same day shipment for domestic and International orders. Our RF, microwave and fiber optic products maintain a 99% availability and are part of the broadest selection in the industry.

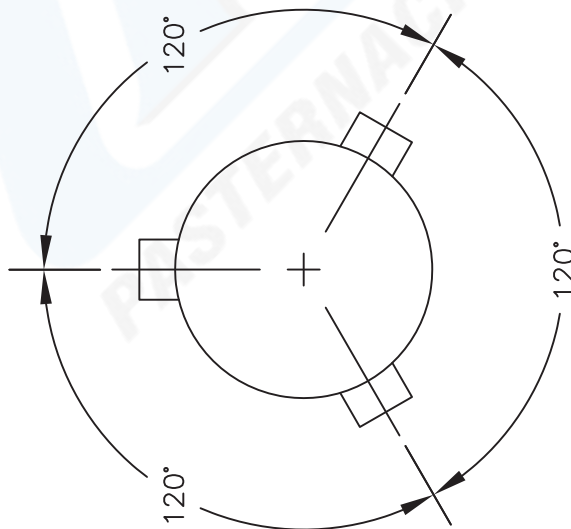
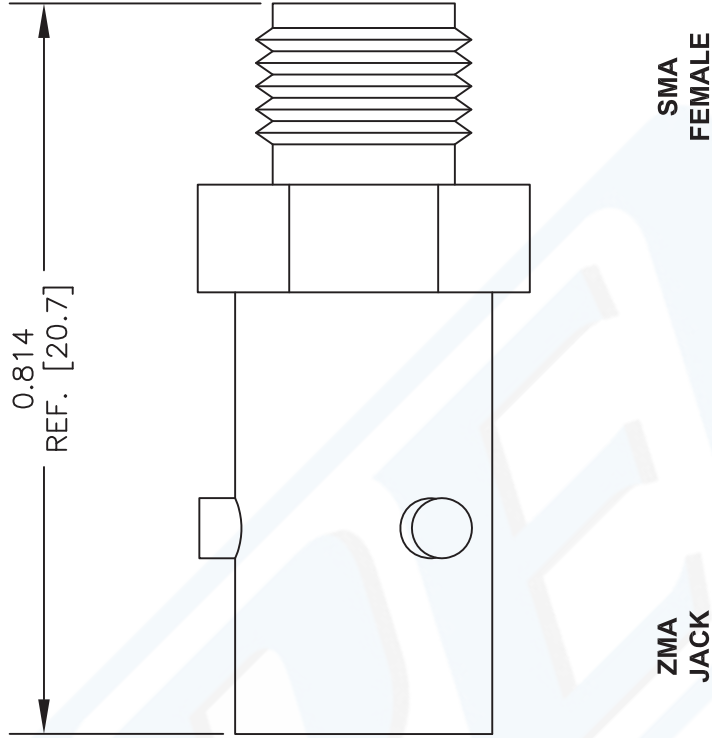
Click the following link (or enter part number in "SEARCH" on website) to obtain additional part information including price, inventory and certifications: [Precision SMA Female to ZMA Jack Adapter 3 Lug PE91074](http://www.pasternack.com/precision-sma-female-to-zma-jack-adapter-3-lug-pe91074)

URL: <http://www.pasternack.com/sma-female-zma-jack-straight-adapter-pe91074-p.aspx>

The information contained in this document is accurate to the best of our knowledge and representative of the part described herein. It may be necessary to make modifications to the part and/or the documentation of the part, in order to implement improvements. Pasternack reserves the right to make such changes as required. Unless otherwise stated, all specifications are nominal.

PE91074 CAD Drawing

Precision SMA Female to ZMA Jack Adapter 3 Lug



NOTES:
 1. UNLESS OTHERWISE SPECIFIED ALL DIMENSIONS ARE NOMINAL.
 2. ALL SPECIFICATIONS ARE SUBJECT TO CHANGE WITHOUT NOTICE AT ANY TIME.
 3. DIMENSIONS ARE IN INCHES [mm].

DWG TITLE
PE91074

FSCM NO. 53919

2233

SIZE A

SCALE N/A

CAD FILE 092013

PE PASTERNAK®
 Pasternack Enterprises, Inc.
 P.O. Box 16759 | Irvine | CA | 92623
Phone: (949) 261-1920 | **Fax:** (949) 261-7451
Website: www.pasternack.com | **E-Mail:** sales@pasternack.com