

PE9313

**1500 MHz Low Power UltraCMOS®
Divide-by-8 Prescaler
Radiation Tolerant for Space
Applications**

Features

- DC to 1500 MHz operation
- Fixed divide ratio of 8
- Low-power operation of 6.5 mA typical @ 3V
- Small package: 8-lead CFP
- Guaranteed 100 kRad(Si) total dose performance
- Superior single event upset immunity

Product Description

The PE9313 is a high-performance static UltraCMOS® prescaler with a fixed divide ratio of 8. Its operating frequency range is DC to 1500 MHz. The PE9313 operates on a nominal 3V supply and draws only 6.5 mA. It is packaged in a small 8-lead CFP and is ideal for frequency scaling and clock generation solutions.

The PE9313 is manufactured on Peregrine's UltraCMOS process, a patented variation of silicon-on-insulator (SOI) technology on a sapphire substrate, offering the performance of GaAs with the economy and integration of conventional CMOS.

Figure 1. Functional Diagram

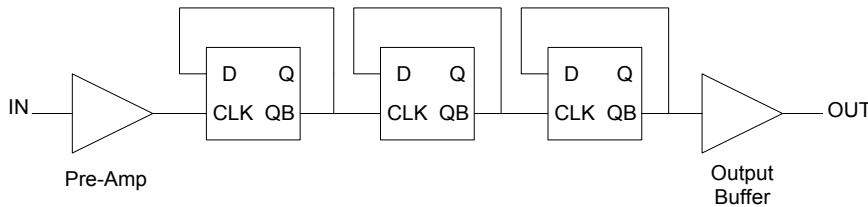


Figure 2. Package Type
8-lead CFP



Table 1. Electrical Specifications ($Z_S = Z_L = 50\Omega$) $V_{DD} = 3.0V$, $-40\text{ }^\circ\text{C} \leq T_A \leq +85\text{ }^\circ\text{C}$, unless otherwise specified

Parameter	Condition	Minimum	Typical	Maximum	Unit
Supply voltage		2.85	3.0	3.15	V
Supply current			6.5	11	mA
Input frequency, F_{IN}		DC		1500	MHz
Input power, P_{IN}	$DC < F_{IN} \leq 1000\text{ MHz}$	-8		+10	dBm
	$1000 < F_{IN} \leq 1500\text{ MHz}$	0		+10	dBm
Output power, P_{OUT}	$DC < F_{IN} \leq 1500\text{ MHz}$	0			dBm

Figure 3. Pin Configuration

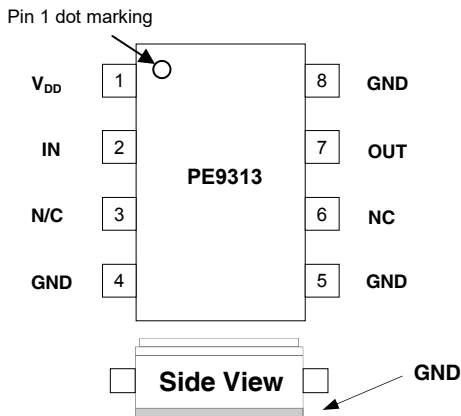


Table 2. Pin Descriptions

Pin No.	Pin Name	Description
1	V _{DD}	Power supply pin. Bypassing is required (eg 1000 pF & 100 pF).
2	IN	Input signal pin. Should be coupled with a capacitor (eg 1000 pF).
3	NC	No connection. This pin should be left open.
4	GND	Ground pin. Ground pattern on the board should be as wide as possible to reduce ground impedance.
5	GND	Ground pin.
6	NC	No connection. This pin should be left open.
7	OUT	Divided frequency output pin. This pin should be coupled with a capacitor (eg 1000 pF).
8	GND	Ground Pin.
GND	GND	Bottom of the package is ground. Connecting the bottom of the package to ground is required

Table 3. Absolute Maximum Ratings

Symbol	Parameter/Condition	Min	Max	Unit
V _{DD}	Supply voltage		4.0	V
P _{IN}	Input power		15	dBm
V _{IN}	Voltage on input	-0.3	V _{DD} + 0.3	V
T _{ST}	Storage temperature range	-65	+150	°C
T _{OP}	Operating temperature range	-40	+85	°C
Θ _{JC}	Theta JC		57	°C/W
T _J	Maximum junction temperature		+125	°C
V _{ESD}	ESD voltage (Human Body Model, MIL-STD 883)		1000	V

Exceeding absolute maximum ratings may cause permanent damage. Operation should be restricted

to the limits in the Operating Ranges table. Operation between operating ranges maximum and absolute maximum for extended periods may reduce reliability.

Electrostatic Discharge (ESD) Precautions

When handling this UltraCMOS device, observe the same precautions that you would use with other ESD-sensitive devices. Although this device contains circuitry to protect it from damage due to ESD, precautions should be taken to avoid exceeding the rating specified in *Table 3*.

Latch-Up Immunity

Unlike conventional CMOS devices, UltraCMOS devices are immune to latch-up.

Device Functional Considerations

The PE9313 divides an input signal, up to a frequency of 1500 MHz, by a factor of eight thereby producing an output frequency at an eighth of the input frequency. To work properly at higher frequency, the input and output signals (pins 2 and 7) must be AC coupled via an external capacitor, as shown in the test circuit in *Figure 7*. The input may be DC coupled for low frequency operation with care taken to remain within the specified DC input range for the device.

The ground pattern on the board should be made as wide as possible to minimize ground impedance. See *Figure 8* for a layout example.

ELDRS

UltraCMOS devices do not include bipolar minority carrier elements and therefore do not exhibit enhanced low dose rate sensitivity.

Typical Performance Data @ $V_{DD} = 3.0V$

Figure 4. Input Sensitivity

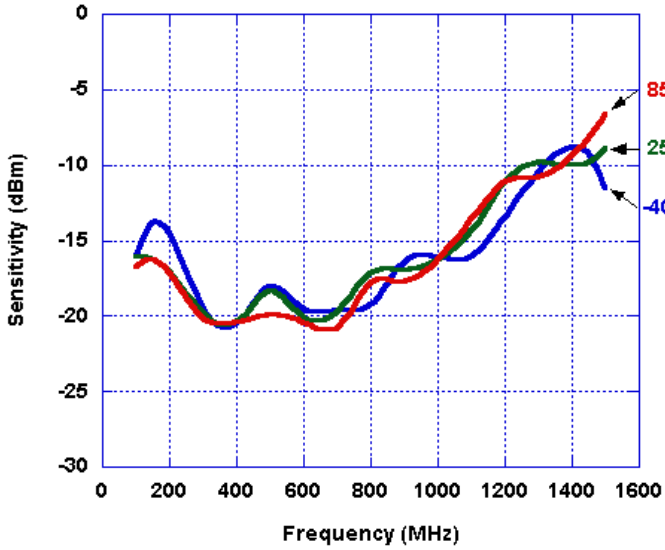


Figure 5. Device Current

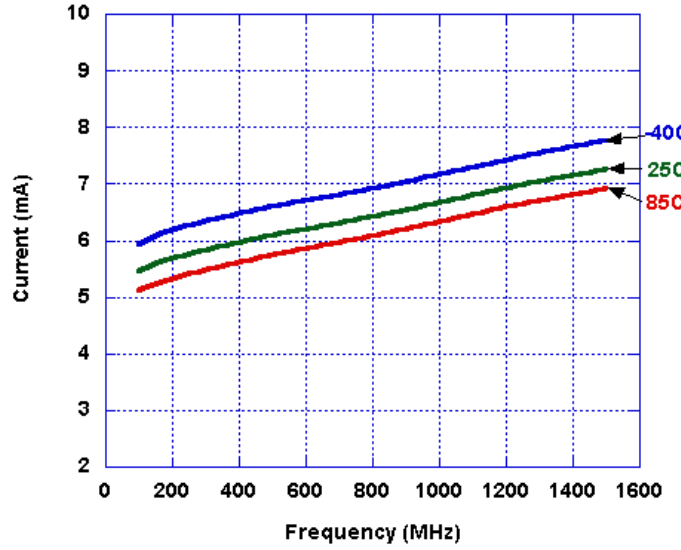


Figure 6. Output Power

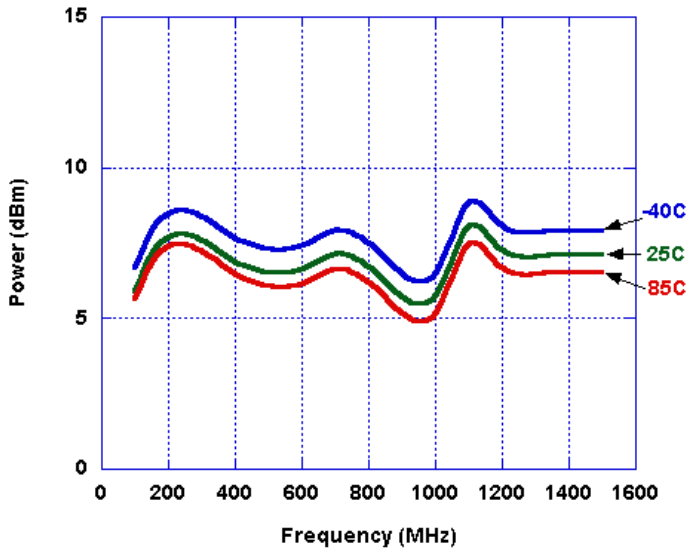


Figure 7. Test Circuit Block Diagram

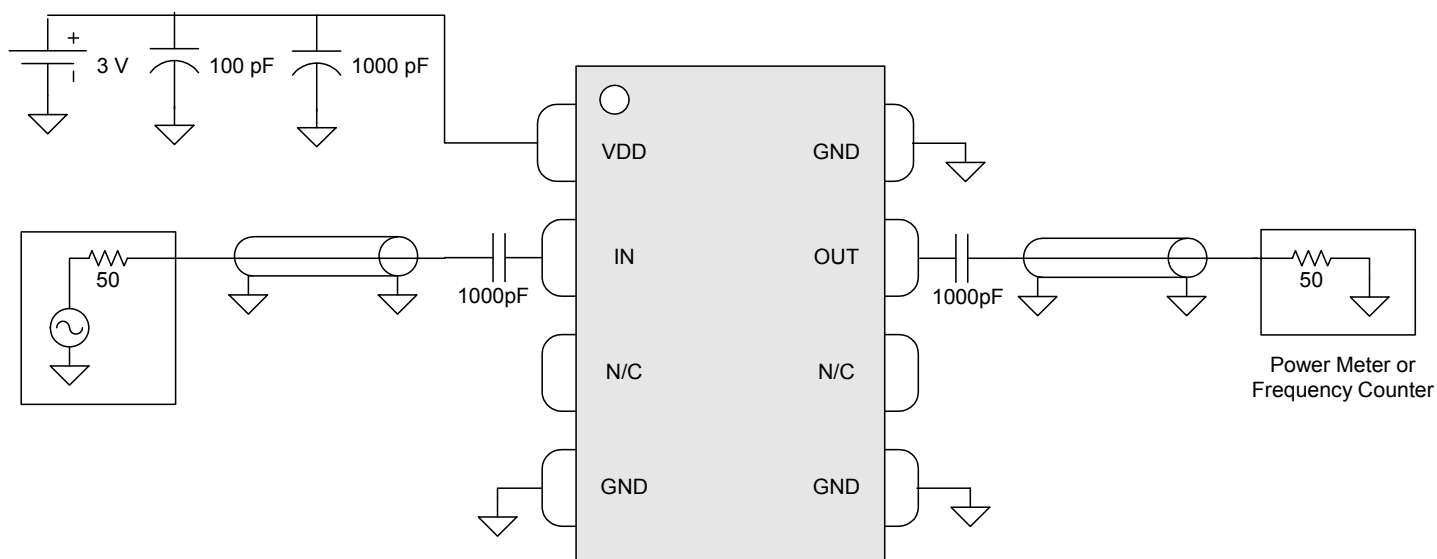
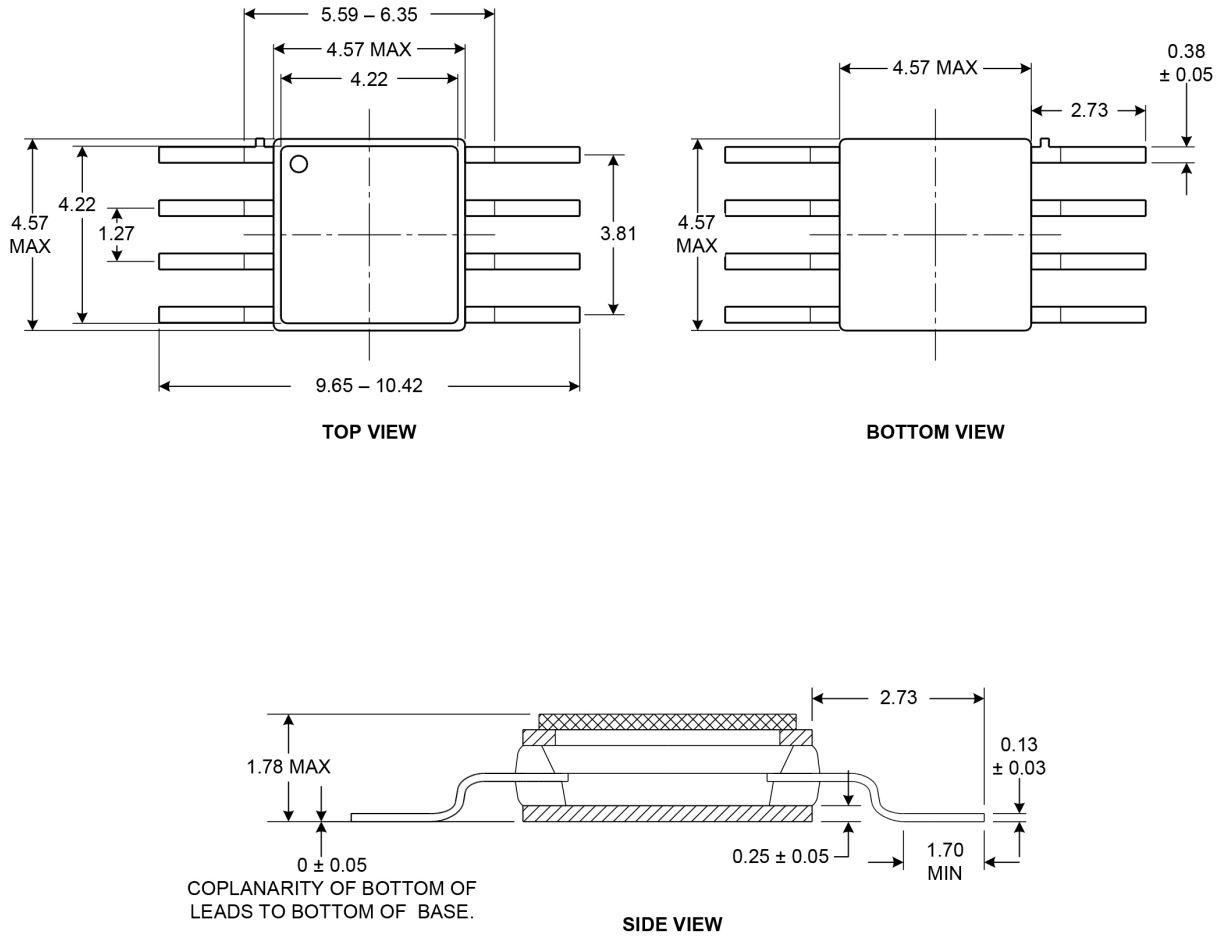


Figure 10. Package Drawing (dimensions are in millimeters)
8-lead CFP

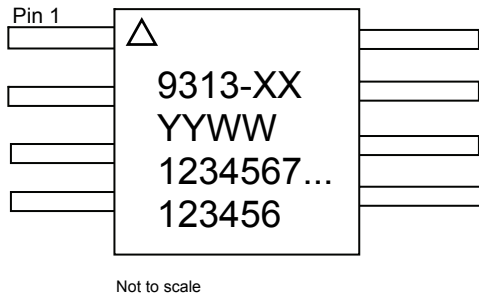
Note: Bottom of the package is ground. Connecting the bottom of the package to ground is required.



DIMS IN MM.
ALL TOLERANCES ARE +/- 0.127
UNLESS OTHERWISE STATED.
NOT TO SCALE

Rev. 97 170809
IIGNALB

Figure 11. Top Marking Specifications



- Line 1: Pin 1 indicator \triangle No e2v or Peregrine logos present
- Line 2: Part number (XX will be specified by the purchase order)
- Line 3: Date code (last two digits of the year and work week)
- Line 4: Waferlot # (as many characters as room allows)
- Line 5: DOP # (e2v internal / 5 digits / optional, as room allows)
- Line 6: Serial # (5 digits minimum)

Note: There is **NO** backside symbolization on any of the Peregrine products.

Table 4. Ordering Information

Order Code	Description	Package	Shipping Method
9313-01*	PE9313 Engineering samples	8-lead CFP	50 / Tray
9313-11	PE9313 Flight units	8-lead CFP	50 / Tray
9313-00	PE9313 Evaluation kit	Evaluation kit	1 / Box
8PCFP-MS	8 Pin Mechanical Samples	8 Pin CFP	1/Tray

Note: * The 9313-01 devices are engineering sample (ES) prototype units intended for use as initial evaluation units for customers of the PE9313-11 flight units. The PE9313-01 device provides the same functionality and footprint as the PE9313-11 space qualified device, and intended for engineering evaluation only. They are tested at +25 °C only and processed to a non-compliant flow (e.g. no burn-in, non-hermetic, etc). These units are non-hermetic and are not suitable for qualification, production, radiation testing or flight use.

Sales Contact and Information

Contact Information:
e2v ~ <http://www.tdehirel.com> ~ inquiries@e2v-us.com

Advance Information: The product is in a formative or design stage. The datasheet contains design target specifications for product development. Specifications and features may change in any manner without notice.
Preliminary Specification: The datasheet contains preliminary data. Additional data may be added at a later date. Peregrine reserves the right to change specifications at any time without notice in order to supply the best possible product.
Product Specification: The datasheet contains final data. In the event Peregrine decides to change the specifications, Peregrine will notify customers of the intended changes by issuing a CNF (Customer Notification Form).

The information in this datasheet is believed to be reliable. However, Peregrine assumes no liability for the use of this information. Use shall be entirely at the user's own risk.
No patent rights or licenses to any circuits described in this datasheet are implied or granted to any third party. Peregrine's products are not designed or intended for use in devices or systems intended for surgical implant, or in other applications intended to support or sustain life, or in any application in which the failure of the Peregrine product could create a situation in which personal injury or death might occur. Peregrine assumes no liability for damages, including consequential or incidental damages, arising out of the use of its products in such applications.
The Peregrine name, logo, UltraCMOS and UTSi are registered trademarks and HaRP, MultiSwitch and DuNE are trademarks of Peregrine Semiconductor Corp. Peregrine products are protected under one or more of the following U.S. Patents: <http://patents.psemi.com>.