

MD SERIES PEN3-XXXXE2:1 1.5 KV ISOLATED 2 - 3 W REGULATED SINGLE OUTPUT DIP24

Other specifications please enquire.

Electrical Specifications

(Typical at + 25° C, nominal input voltage, rated output current unless otherwise specified)

Input Specifications

Voltage range 9-18, 18-36, 36-72 VDC Wide Input

Filter Pi Network

Isolation Specifications

Rated voltage 1500 Vdc

Resistance 10⁹ Ohm

Capacitance 390 pF typ.

Output Specifications

Voltage accuracy +/- 1 % typ. +/-2% max.

Ripple and noise (at 20 MHz BW) 60 mV p-p max.

Short circuit protection Continuous , restart automatic

Line voltage regulation +/- 0,5 % max.

Load voltage regulation +/- 0,5 % max.

Temperature coefficient +/- 0,02 % / °C

General Specifications

Efficiency 74 % to 80 %

Switching frequency 260 KHz. Typ.

Environmental Specifications

Operating temperature (ambient) -40°C to +85°C

Storage temperature - 55 °C to + 125 °C

Derating See graph

Humidity Up to 90 % , non condensing

Cooling Free air convection

Physical Characteristics

Dimensions 31,75 x 20,32 x 10,16 mm

1,25 x 0,80 x 0,40 inches

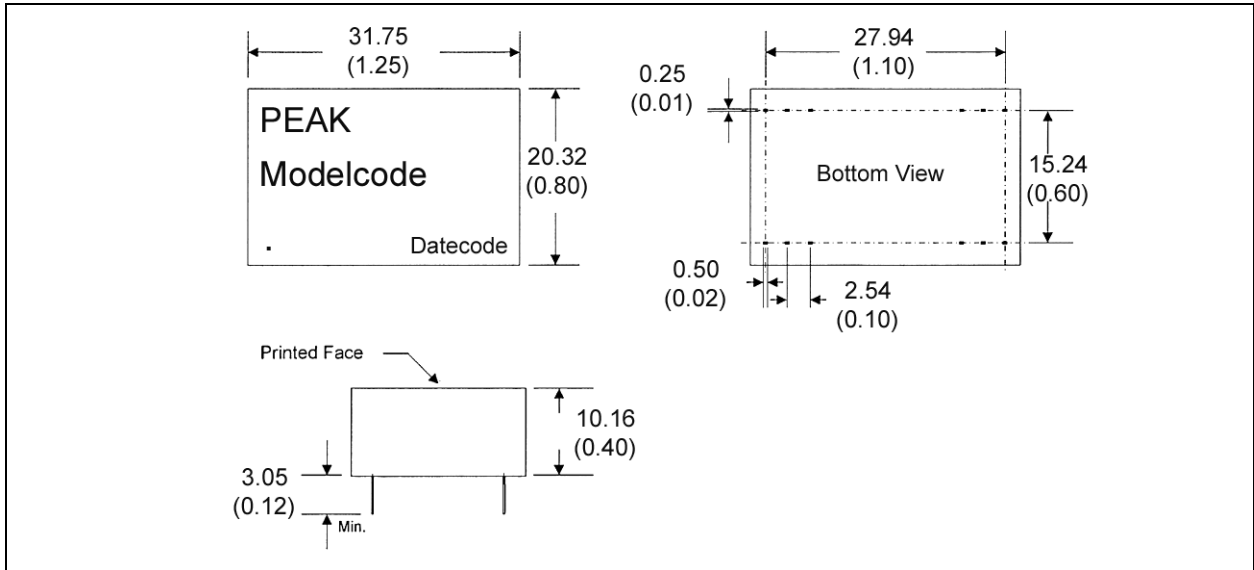
Weight 19,0 g

Case material Non conductive black plastic

Examples of Partnumbers/Modelcode

PART NO.	INPUT VOLTAGE (VDC) Nominal	INPUT CURRENT NO LOAD	INPUT CURRENT FULL LOAD	OUTPUT VOLTAGE (VDC)	OUTPUT CURRENT (max. mA)	EFFICIENCY FULL LOAD (% TYP.)
PEN3-123R3E2:1	9 - 18	12	223	3.3	660	74
PEN3-1205E2:1	9 - 18	12	277	5	500	75
PEN3-1212E2:1	9 - 18	12	312	12	250	80
PEN3-1215E2:1	9 - 18	12	312	15	200	80
PEN3-243R3E2:1	18 - 36	8	110	3.3	600	75
PEN3-2405E2:1	18 - 36	8	133	5	500	78
PEN3-2412E2:1	18 - 36	8	156	12	250	80
PEN3-2415E2:1	18 - 36	8	156	15	200	80
PEN3-483R3E2:1	36 - 72	6	55	3.3	600	75
PEN3-4805E2:1	36 - 72	6	66	5	500	78
PEN3-4812E2:1	36 - 72	6	78	12	250	80
PEN3-4815E2:1	36 - 72	6	78	15	200	80

Dimensions



Derating Graph and Pinning

