

Type: PFN1316

◆ **Product Description**

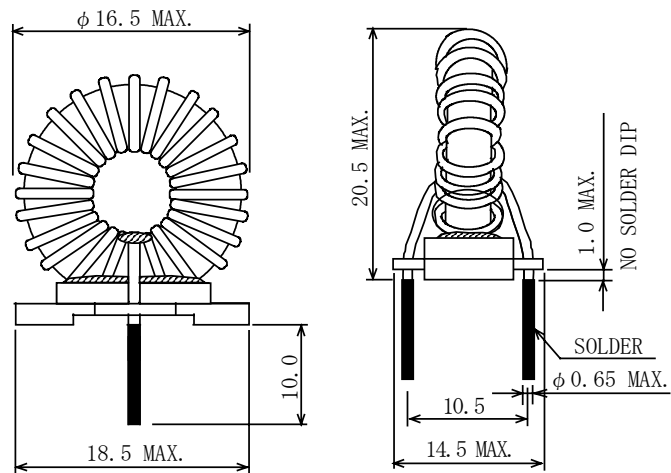
- 18.5mm × 14.5mm Max.(L×W), 20.5mm Max. Height .
- In addition to the typical versions of parameters shown here, custom parameters are available to meet your exact requirements.



◆ **Feature**

- Iron dust core is used to realize better DC Saturation characteristics and higher noise absorption effect.
- Less leakage magnetic flux .
- Ideally used as Normal Mode chokes EMI suppression in power supplies or signal lines.
- Elimination for impulse noise.
- RoHS Compliance

◆ **Dimensions (mm)**



ADHESIVE

www.DataSheet4U.com

◆ **Specification**

Part Name.	Inductance (μ H) [MIN.] At 1kHz	D.C.R.(m Ω) [MAX.] (at20°C)	Impedance [MIN.]			Rated Current (A)※1
			①	②	③	
PFN1316NP-NM29A	21	43	544 Ω at 5MHz	1180 Ω at 10MHz	1245 Ω at 20MHz	5.4
PFN1316NP-NM39A	37	58	1245 Ω at 5MHz	2070 Ω at 7MHz	950 Ω at 15MHz	2.9

※1. Rated current: The DC current at which the temperature rise is $\Delta t=40^\circ\text{C}$.($T_a=20^\circ\text{C}$).