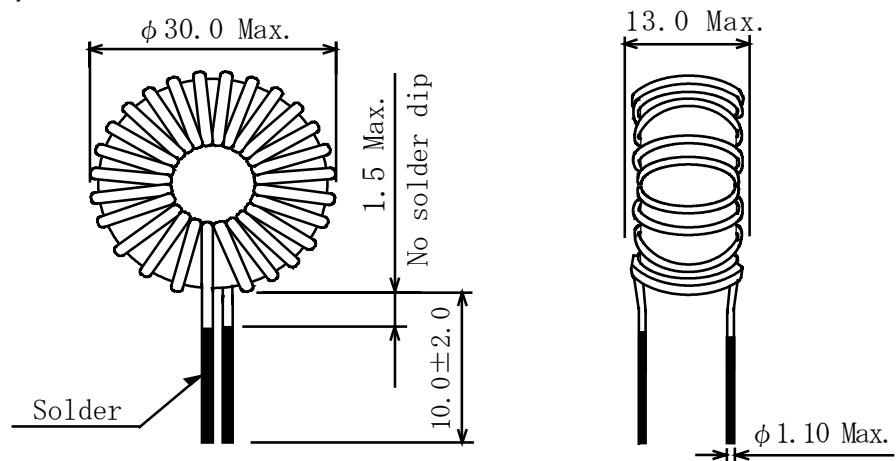


Type: PFN1329
◆ Product Description

- ϕ 30.0mm × 13.0mm Max.
- In addition to the typical versions of parameters shown here, custom parameters are available to meet your exact requirements.


◆ Feature

- Iron dust core is used to realize better DC Saturation characteristics and higher noise absorption effect.
- Less leakage magnetic flux .
- Ideally used as Normal Mode chokes EMI suppression in power supplies or signal lines.
- Elimination for impulse noise.
- RoHS Compliance

◆ Dimensions (mm)

www.DataSheet4U.com
◆ Specification

Part Name.	Inductance (μ H) [MIN.] At 1kHz	D.C.R.(m Ω) [MAX.] (at20 $^{\circ}$ C)	Impedance [MIN.]			Rated Current (A)※1
			①	②	③	
PFN1329NP-NM42A	52	30	1150 Ω a t 3MHz	1980 Ω a t 4MHz	2290 Ω a t 6MHz	6.1
PFN1329NP-NM53A	83	38	1360 Ω a t 2MHz	3485 Ω a t 3MHz	2850 Ω a t 4MHz	5.4

※1. Rated current: The DC current at which the temperature rise is $\Delta t=40^{\circ}$ C.($T_a=20^{\circ}$ C).