

**Type: PFN1515/MS**

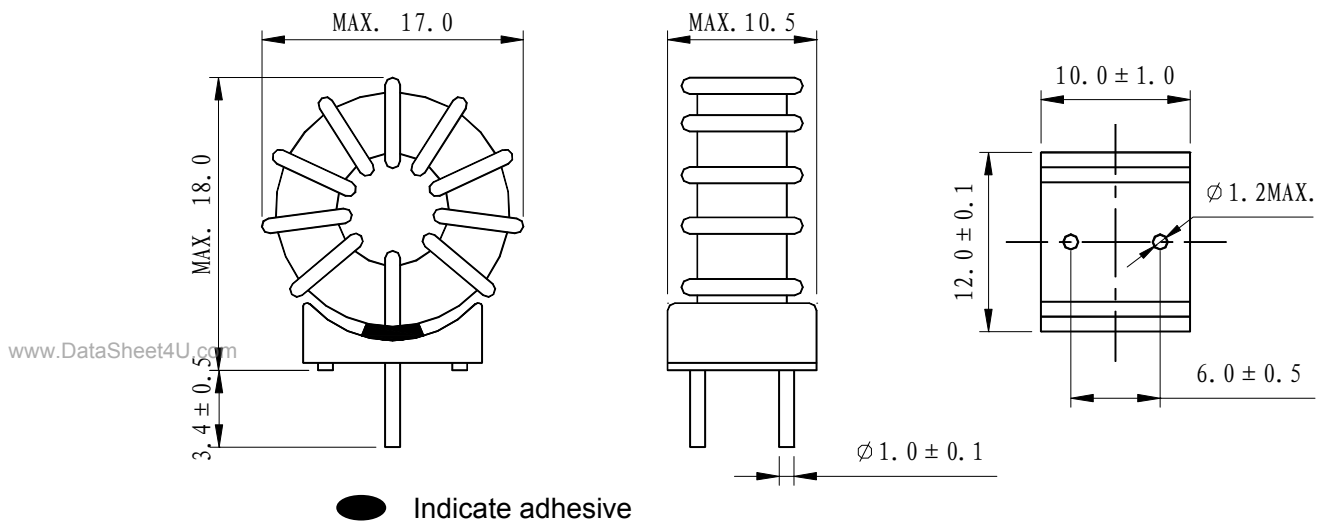
◆ **Product Description**

- 17.0mm × 10.5mm Max.(L × W), 18.0mm Max. Height
- In addition to the typical versions of parameters shown here, custom parameters are available to meet your exact requirements.

◆ **Feature**

- Iron dust core is used to realize better DC Saturation characteristics and higher noise absorption effect.
- Less leakage magnetic flux .
- Ideally used as Normal Mode chokes EMI suppression in power supplies or signal lines.
- Elimination for impulse noise.
- RoHS Compliance

◆ **Dimensions (mm)**



◆ **Specification**

Part Name	Inductance [Within] 200kHz/1V	Inductance [Within] ( $\mu$ H)	D.C.R.(m $\Omega$ ) Max. (at 20°C)	Rated current (A)※1
1 3 6 $\varnothing$ 6 6	4.5 $\mu$ H ± 10%	3.5 Ref. (200kHz/1V, DC8.0A)	7.0	11.0
1 3 6 $\varnothing$ 6 7	6.5 $\mu$ H ± 10%	5.3 Ref. (200kHz/1V, DC5.0A)	10.0	9.6
E 1 4 5 9 4 4	10.0 $\mu$ H ± 20%	3.0 Min. (100kHz/1V, DC7.0A)	15.0	7.0
E 1 4 6 1 3 3	19.0 $\mu$ H ± 10%	11.7 Ref. (200kHz/1V, DC6.0A)	30.0	6.0

※1. Rated current: The DC current at which the temperature rise is  $\Delta t = 40^\circ\text{C}$  ( $T_a = 20^\circ\text{C}$ ).