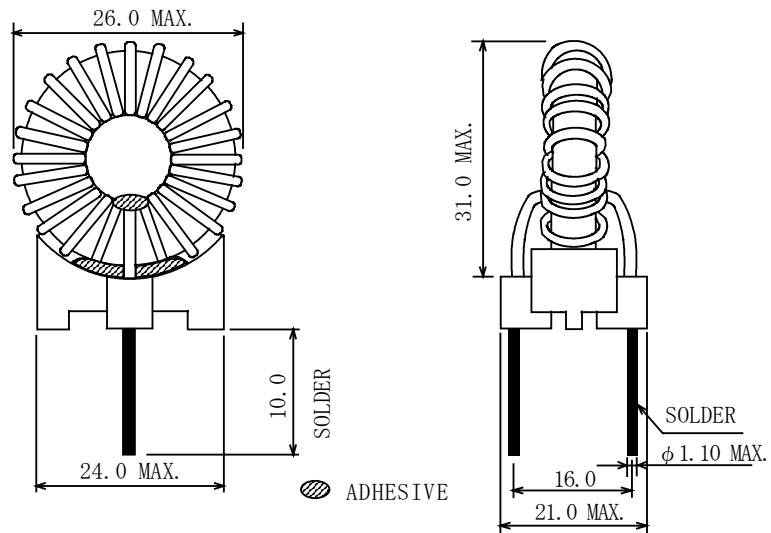


Type: PFN2028
◆ Product Description

- ϕ 26.0mm × 31.0mm.MAX.
- Custom design is available.


◆ Feature

- Iron dust core is used to realize better DC saturation characteristics and higher noise absorption effect and less leakage magnetic flux by using toroidal core.
- Ideally used as EMI choke in power line and signal line or switching power supply for noise prevention.
- Ideally used as Power Factor Correction choke.
- RoHS Compliance.

◆ Dimensions (mm)

www.DataSheet4U.com
◆ Specification (For EMC application)

| PART NO. | Inductance (μ H) [MIN.] At 1kHz | D.C.R.(m Ω) [MAX.] (at20 $^{\circ}$ C) | Rated Current (A)※1 |
|-----------------|---|---|---------------------|
| PFN2028NP-NM42A | 52 | 20(15) | 6.4 |
| PFN2028NP-NM53A | 83 | 26(20) | 5.4 |

※ Rated current: The DC current at which the temperature rise is $\Delta t=40^{\circ}\text{C}$. ($T_a=20^{\circ}\text{C}$).

◆ Specification (For PFC application)

| Sample No. | Inductance(μ H) At 1kHz | D.C.R. (m Ω) [MAX.] (at20 $^{\circ}$ C) | Rated Current (A)※1 |
|------------|---------------------------------|---|---------------------|
| 5341-T088 | 18.0 \pm 20% | 44.0 | 7.0 |

※ Rated current: The DC current at which the inductance decreases to 90 % of it's initial value or when $\Delta t=40^{\circ}\text{C}$, whichever is lower($T_a=20^{\circ}\text{C}$).