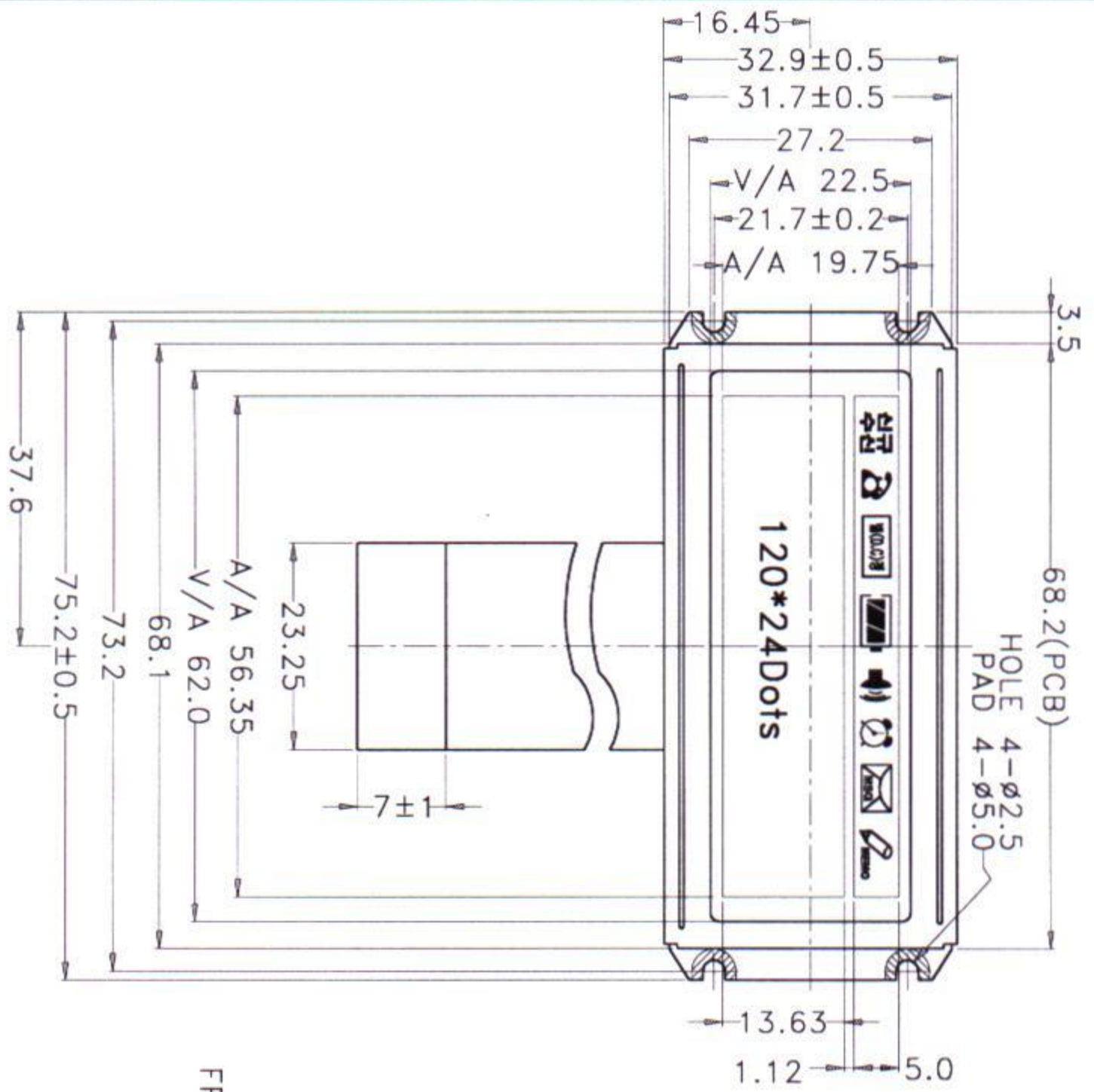
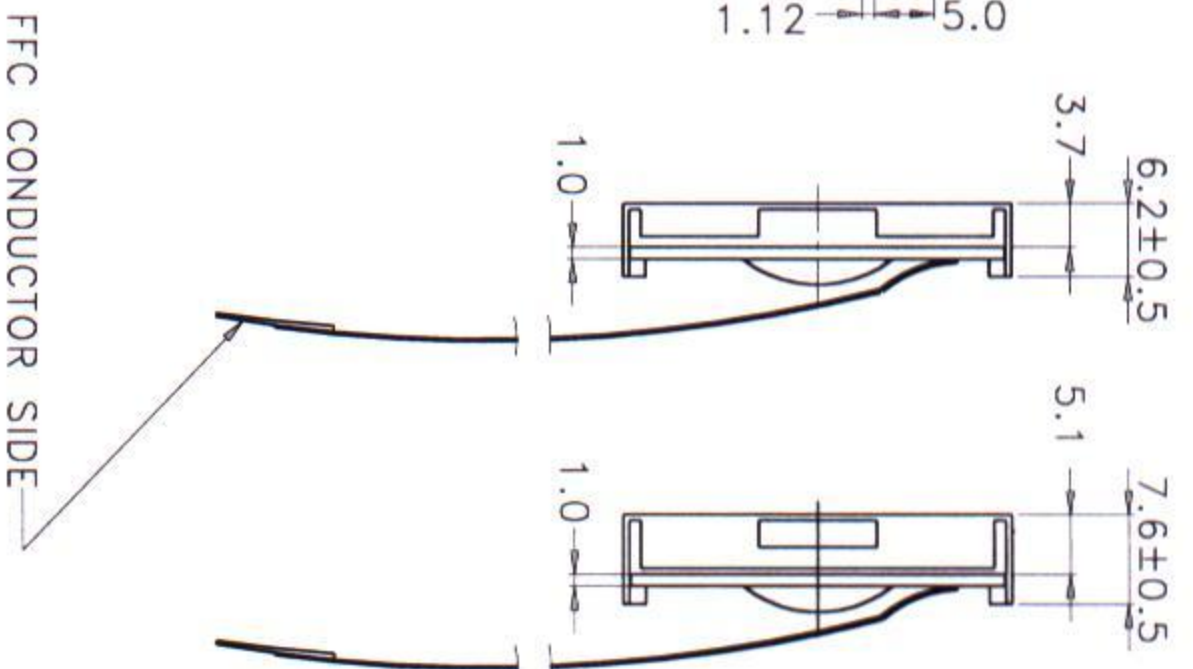


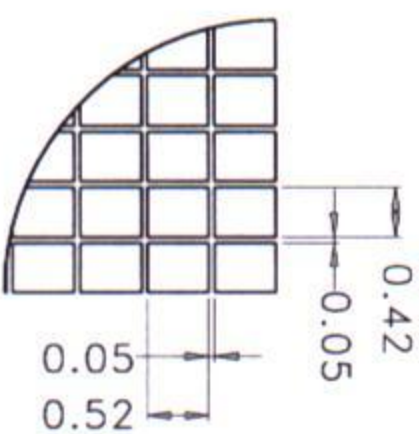
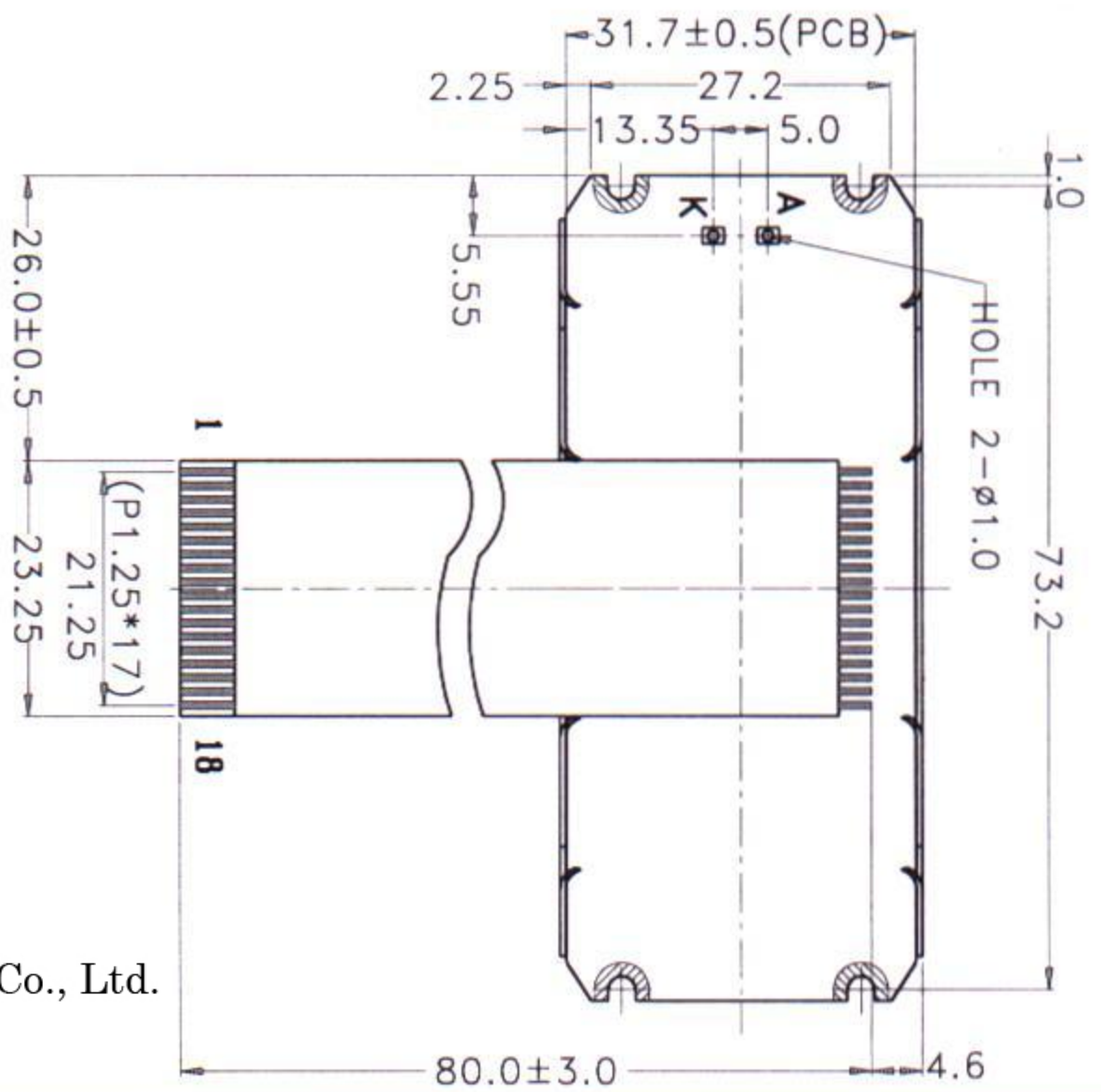
LCM DISPLAY SIDE



(NO B/L) (LED B/L)



LCM IC SIDE



SCALE:10/1

The tolerance unless classified ±0.3mm

PIN NO.	SIGNAL
1	GND
2	V <sub>CC</sub>
3	V <sub>O</sub>
4	A0
5	R/W
6	E1
7	E2
8	NC
9	DB0
10	DB1
11	DB2
12	DB3
13	DB4
14	DB5
15	DB6
16	DB7
17	A
18	K

