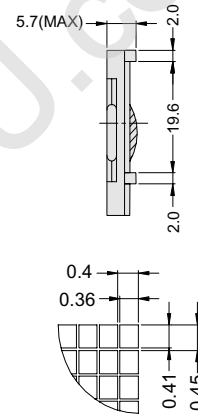
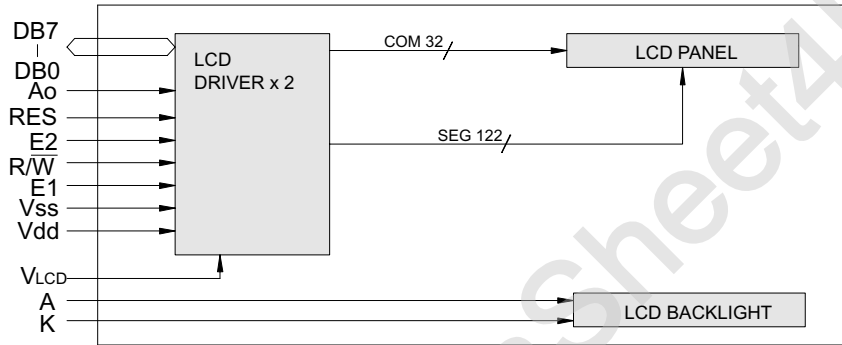
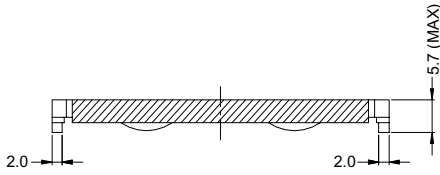
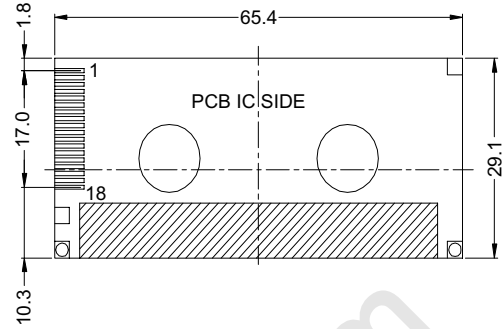
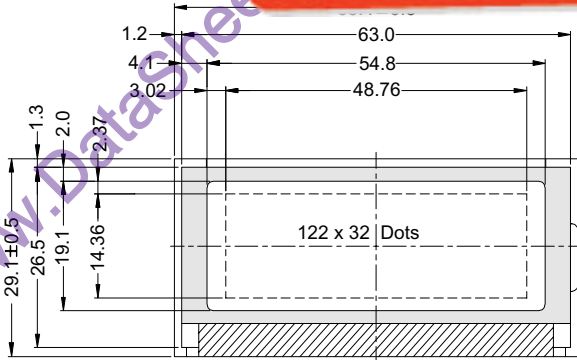




OUTLINE DIMENSION BLOCK DIAGRAM



The tolerance unless classified $\pm 0.3\text{mm}$

MECHANICAL SPECIFICATION

Overall Size	63.0 x 26.6	Module	H2 / H1
View Area	54.8 x 19.1	W / O B/L	- / 1.8
Dot Size	0.36 x 0.41	EL B/L	-
Dot Pitch	0.40 x 0.45	LED B/L	- / 5.7

PIN ASSIGNMENT

Pin no.	Symbol	Function
1	Vdd	Power supply(+)
2	Vss	Power supply(GND)
3	VLCD	Contrast Adjust
4	RES	Reset
5	E1	Enable driver 1
6	E2	Enable driver 2
7	R/W	Data read / write
8	Ao	Command / Data select
9	DB0	Data bus line
10	DB1	Data bus line
11	DB2	Data bus line
12	DB3	Data bus line
13	DB4	Data bus line
14	DB5	Data bus line
15	DB6	Data bus line
16	DB7	Data bus line
17	N.C(A)	NC(Power supply (+) to B/L)
18	N.C(K)	NC(Power supply (-) to B/L)

ABSOLUTE MAXIMUM RATING

Item	Symbol	Condition	Min.	Max.	Units
Supply for logic voltage	Vdd-Vss	25°C	-0.3	8.0	V
LCD driving supply voltage	Vdd-Vee	25°C	-0.3	16.5	V
Input voltage	Vin	25°C	-0.3	Vdd+0.3	V

ELECTRICAL CHARACTERISTICS

Item	Symbol	Condition	Min.	Typical	Max.	Units			
Power supply voltage	Vdd-Vss	25°C	2.7	-	5.5	V			
LCD operation voltage	Vop	Top	N	W	N	W	V		
		-20°C	-	7.1	-	7.3	-	7.5	V
		0°C	6.7	-	6.9	-	7.1	-	V
		25°C	6.3	6.4	6.5	6.6	6.7	7.3	V
		50°C	6.1	-	6.3	-	6.5	-	V
		70°C	-	5.4	-	5.6	-	7.1	V
LCM current consumption (No B/L)	Idd	Vdd=5V	-	1.0	2.5	mA			
Backlight current consumption	LED/edge	VB/L=4.2V	-	100	-	mA			
	LED/array	VB/L=4.2V	-	-	-	mA			

REMARK

LCD option: STN, TN, FSTN

Backlight Option: LED, EL Backlight feature, other Specs not available on catalog is under request.

