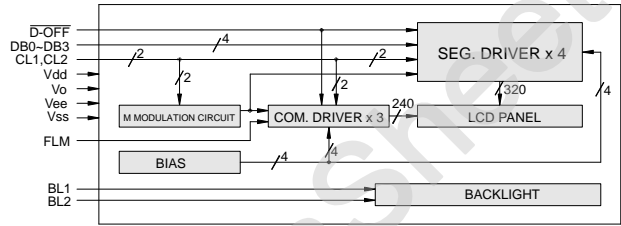
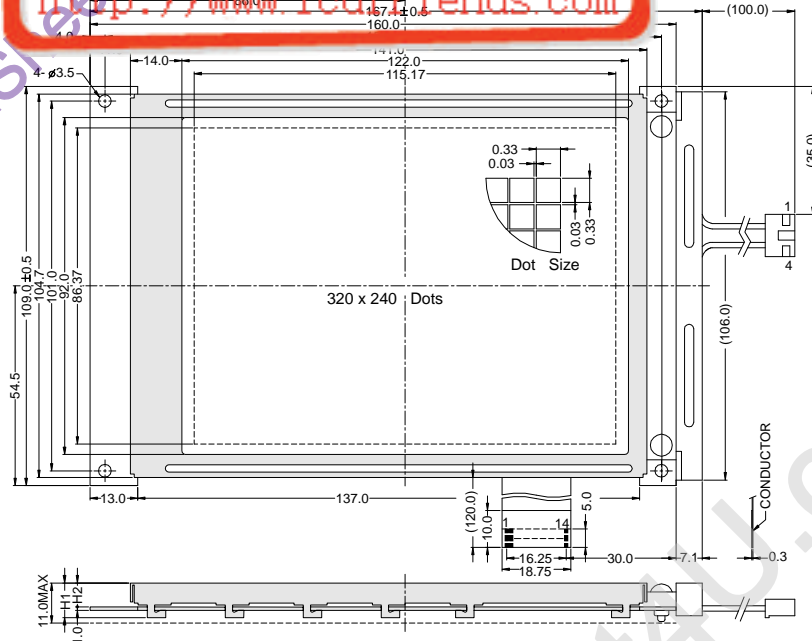




OUTLINE DIMENSIONS BLOCK DIAGRAM

电话 020-33819057
Http://www.ledfriends.com



The tolerance unless classified $\pm 0.3\text{mm}$

MECHANICAL SPECIFICATION			
Overall Size	167.1 x 109.0	Module	H2 / H1
View Area	122.0 x 92.0	W/O B/L	- / -
Dot Size	0.33 x 0.33	EL B/L	- / -
Dot Pitch	0.36 x 0.36	CCFL B/L	6.5 / 9.5

PIN ASSIGNMENT		
Pin no.	Symbol	Function
1	DB0	Data bus line
2	DB1	Data bus line
3	DB2	Data bus line
4	DB3	Data bus line
5	D-OFF	Column output control
6	FLM	Shift direction select
7	N.C	No connection
8	CL1	Clock signal input
9	CL2	Clock signal input
10	Vdd	Power supply (+)
11	Vss	Power supply (GND)
12	Vee	N.V. input
13	Vo	Contrast adjust
14	FGND	Frame ground

ABSOLUTE MAXIMUM RATING									
Item	Symbol	Condition	Min.	Max.	Units				
Supply for logic voltage	Vdd-Vss	25°C	-0.3	7.0	V				
LCD driving supply voltage	Vdd-Vee	25°C	0	35.0	V				
Input Voltage	Vin	25°C	-0.3	Vdd-0.3	V				
ELECTRICAL CHARACTERISTICS									
Item	Symbol	Condition	Min.	Typical	Max.	Units			
Power Supply Voltage	Vdd-Vss	25°C	4.5	-	5.5	V			
		Top	N	W	N	W	N	W	V
LCD operation voltage	Vop	-20°C	-	-	-	31.1	-	-	V
		0°C	-	-	-	-	-	-	V
		25°C	-	-	-	-	24.5	-	V
		50°C	-	-	-	-	-	-	V
		70°C	-	-	-	-	20.5	-	V
LCM current consumption (No B/L)	Idd	Vdd=5V	-	3.5	7	mA			
Backlight current consumption	LED/edge	VB/L=4.2V	-	-	-	mA			
	LED/array	VB/L=4.2V	-	-	-	mA			

REMARK

LCD option: STN, TN, FSTN

Backlight Option: LED,EL Backlight feature, other Specs not available on catalog is under request.

