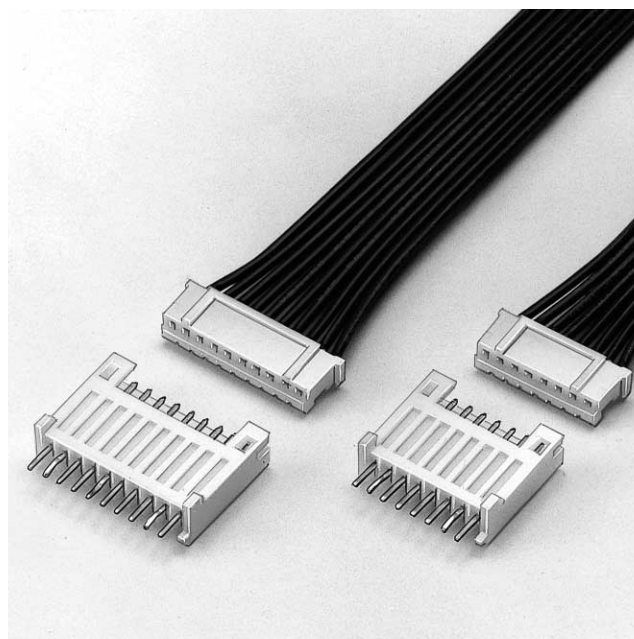
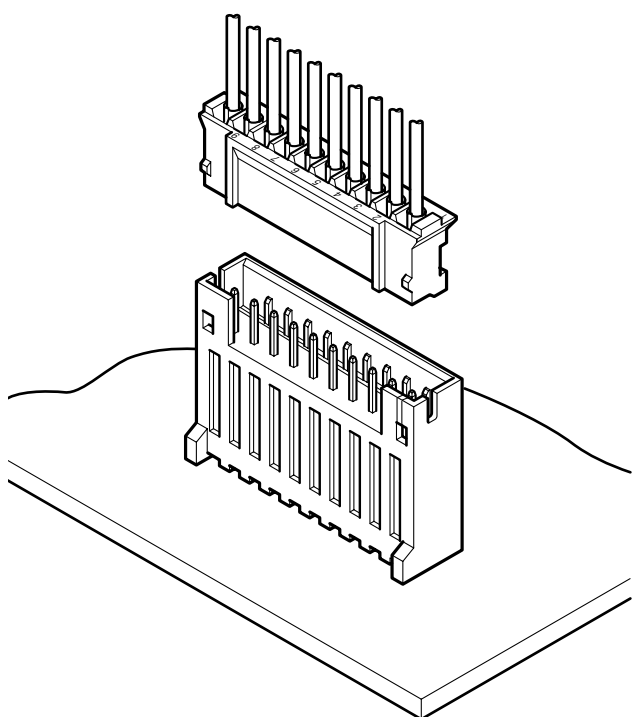


PH CONNECTOR (High box type)

Disconnectable Crimp style connectors



PH connector high box type, with 17.0mm (.669") mounting height and with 4.5mm (.177") thickness.



Features

• Interchangeability

Designed to accept either PH or KR mating sockets.

Specifications

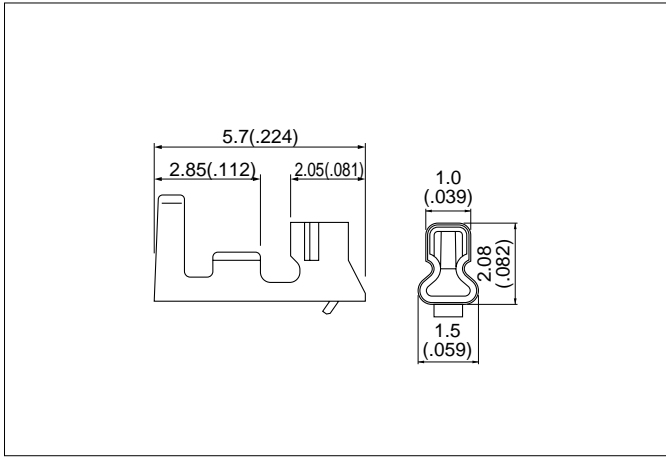
- Current rating: 2A AC, DC (AWG#24)
- Voltage rating: 100V AC, DC
- Temperature range: -25°C to +85°C
(including temperature rise in applying electrical current)
- Contact resistance: Initial value/10m Ω max.
After environmental testing/20m Ω max.
- Insulation resistance: 1,000M Ω min.
- Withstanding voltage: 800V AC/minute
- Applicable wire: AWG #30 to #24
- Applicable PC board thickness: 0.8 to 1.6mm (.031" to .063")
- * Contact JST if Lead-Free product is required.
- * Refer to "General Instruction and Notice when using Terminals and Connectors" at the end of this catalog.
- * Contact JST for details.

Standards

- Ⓜ Recognized E60389
- Ⓢ Certified LR20812
- ⚠ R75087

PH CONNECTOR (High box type)

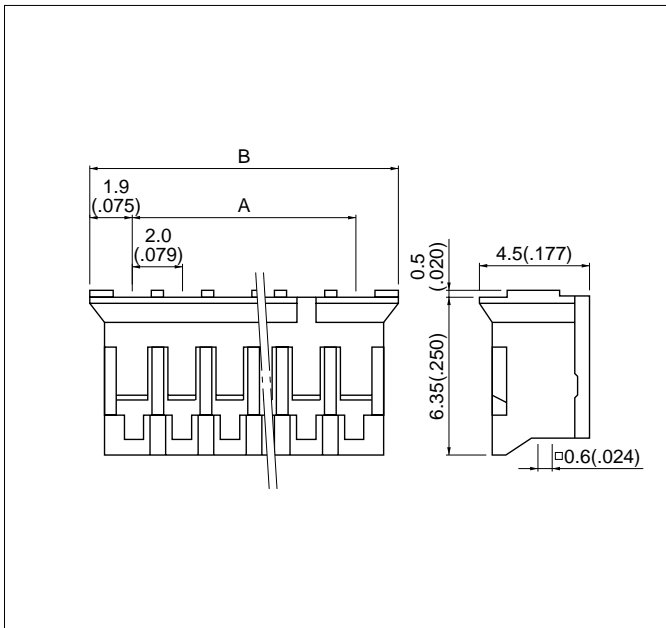
Contact



Model No.	Applicable wire			Q'ty / reel
	mm ²	AWG #	Insulation O.D. mm(in.)	
SPH-002T-P0.5S	0.05 to 0.22	30 to 24	0.9 to 1.5(.035 to .059)	8,000

Material and Finish	
Phosphor bronze, tin-plated	

Housing



Cir-cuits	Model No.	Dimensions mm(in.)		Q'ty / box
		A	B	
2	PHR- 2	2.0(.079)	5.8(.228)	1,000
3	PHR- 3	4.0(.157)	7.8(.307)	1,000
4	PHR- 4	6.0(.236)	9.8(.386)	1,000
5	PHR- 5	8.0(.315)	11.8(.465)	1,000
6	PHR- 6	10.0(.394)	13.8(.543)	1,000
7	PHR- 7	12.0(.472)	15.8(.622)	1,000
8	PHR- 8	14.0(.551)	17.8(.701)	1,000
9	PHR- 9	16.0(.630)	19.8(.780)	1,000
10	PHR-10	18.0(.709)	21.8(.858)	1,000
11	PHR-11	20.0(.787)	23.8(.937)	1,000
12	PHR-12	22.0(.866)	25.8(1.016)	1,000
13	PHR-13	24.0(.945)	27.8(1.094)	1,000

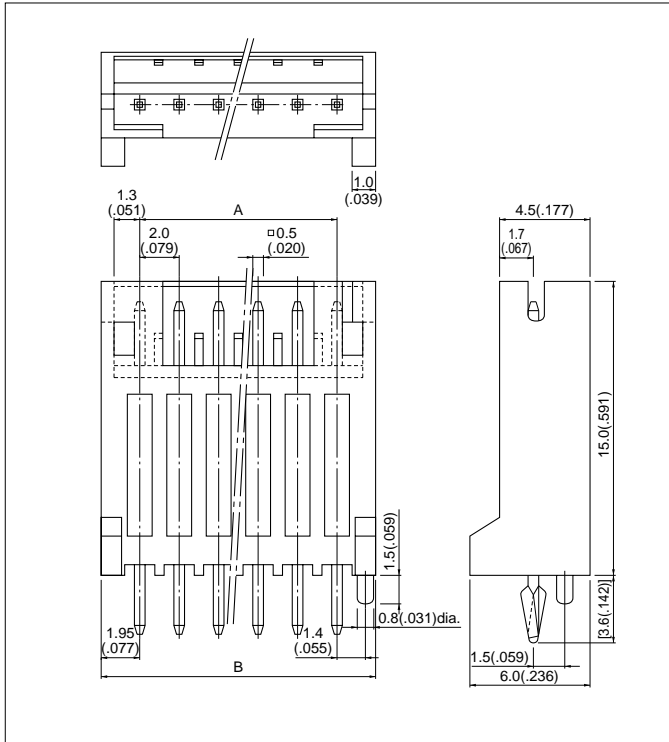
Material	
Nylon 66, UL94V-0, natural (white)	

<For reference> As the color identification, the following alphabet shall be put in the underlined part. For availability, delivery and minimum order quantity, contact JST.

- ex. **PHR-2-oo**
 (blank)...natural (white)
 BK...black R...red TR...tomato red BL...blue Y...yellow
 L...lemon yellow M...green D...orange N...brown P...purple
 PK...pink H...gray LE...light blue FY...vivid yellow

PH CONNECTOR (High box type)

Shrouded header



Circuits	Model No.	Dimensions mm(in.)		Q'ty / box
		A	B	
2	BH 2B-PH	2.0(.079)	5.9(.232)	800
3	BH 3B-PH	4.0(.157)	7.9(.311)	480
4	BH 4B-PH	6.0(.236)	9.9(.390)	400
5	BH 5B-PH	8.0(.315)	11.9(.469)	390
6	BH 6B-PH	10.0(.394)	13.9(.547)	300
7	BH 7B-PH	12.0(.472)	15.9(.626)	240
8	BH 8B-PH	14.0(.551)	17.9(.705)	240
9	BH 9B-PH	16.0(.630)	19.9(.783)	200
10	BH10B-PH	18.0(.709)	21.9(.862)	200
11	BH11B-PH	20.0(.787)	23.9(.941)	150
12	BH12B-PH	22.0(.866)	25.9(1.020)	150
13	BH13B-PH	24.0(.945)	27.9(1.098)	100

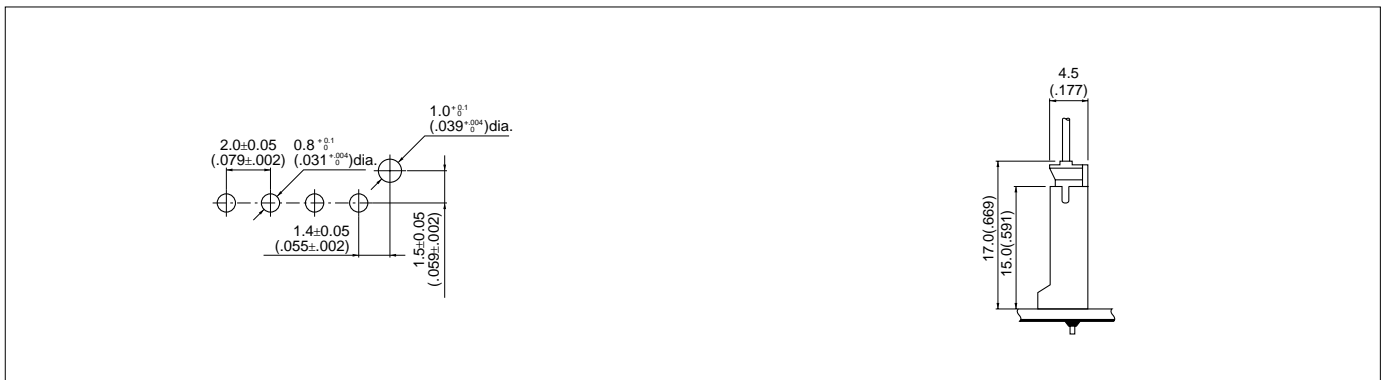
Material and Finish

Post: Copper alloy, copper-undercoated, tin/lead-plated
Wafer: Nylon 66, UL94V-0, natural (white)

<For reference> As the color identification, the following alphabet shall be put in the underlined part. For availability, delivery and minimum order quantity, contact JST.

ex. **BH2B-PH-oo**
(blank)...natural (white)
K...black R...red E...blue Y...yellow M...green N...brown

PC board layout (viewed from component side) and Assembly layout



Note:
1. Tolerances are non-cumulative: ±0.05mm(±.002") for all centers.
2. Hole dimensions differ according to the kind of printed circuit board and piercing method. If printed circuit boards made of hard material are used, the hole dimensions should be larger. The hole dimensions shown above are reference values. Contact JST for details.

Applicator for the semi-automatic press AP-K2N

Contact	Crimp applicator MKS-L		Compact crimp applicator MKS-LS		Strip-crimp applicator MKS-SC
	with safety cover	without safety cover	with safety cover	without safety cover	with safety cover
SPH-002T-P0.5S	APLMK SPH002-05S	APLNC SPH002-05S	APLMKLS SPH002-05S	APLLSNC SPH002-05S	APLSC SPH002-05S