

Features

- Low Cost
- Industry Standard 1 Inch Drop-in package
- Designed for Wireless Telecom Systems
- 50 Ohms Characteristic Impedance

Description

The PI0943DG-21 is a small low cost drop-in Isolator designed for applications in high performance linear power amplifiers for wireless base stations. These Isolators feature a robust construction for high reliability with excellent IMD performance. CCW rotation and special tab offsets available on request. S-Parameters are also available on request.

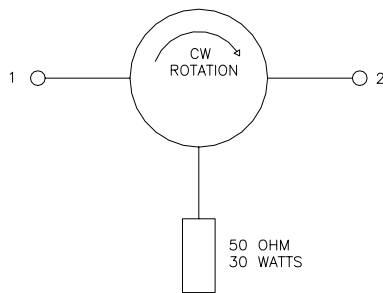
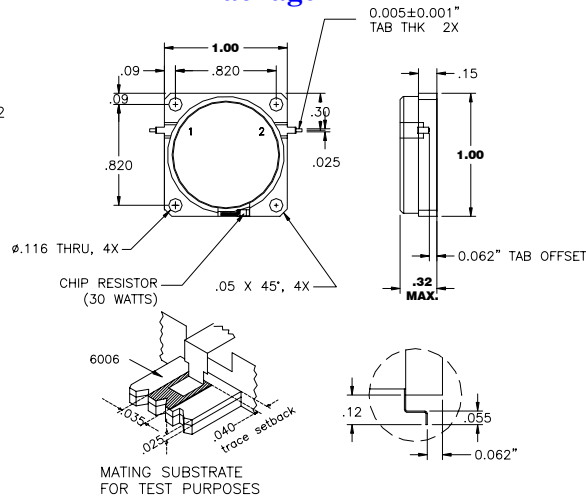
DROP-IN ISOLATOR**Specifications**

| Parameter | Minimum | Typical | Maximum |
|---------------------------|---------|---------|---------|
| Frequency Range (MHz) | 925 | | 960 |
| Insertion Loss (dB) | | < .15 | .30 |
| Isolation (dB) | 20 | >25 | |
| Return Loss (dB) | 20 | >23 | |
| IMD (dBc) 2T x 37.5 Watts | -70 | -75 | |

Note: Typical values represent Mid-band performance @ 25°C.

Absolute Maximum Ratings

| Parameter | Maximum |
|-----------------------|---------------|
| Forward Power | 100 Watts |
| Reverse Power | 30 Watts |
| Operating Temperature | -40 to +85 °C |
| Storage Temperature | -40 to +85 °C |

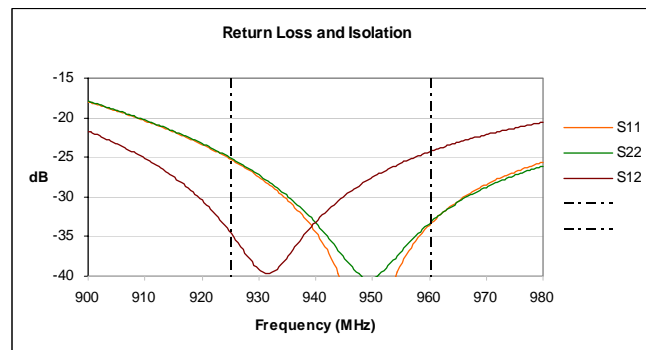
Schematic**Package****Pin Functions**

| Function | Pin |
|----------|-----|
| INPUT | 1 |
| OUTPUT | 2 |

Typical Test Data – Insertion Loss



Typical Test Data – Return Loss and Isolation



Specifications and information on this data sheet are subject to change without notice..