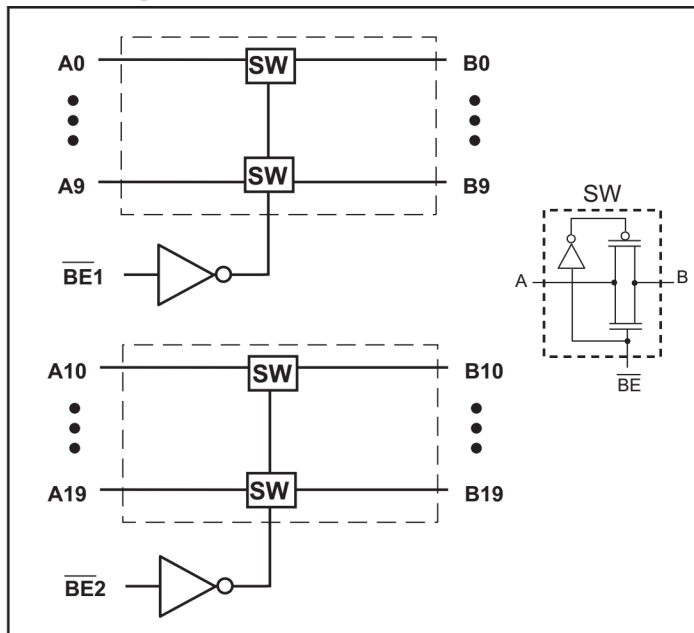
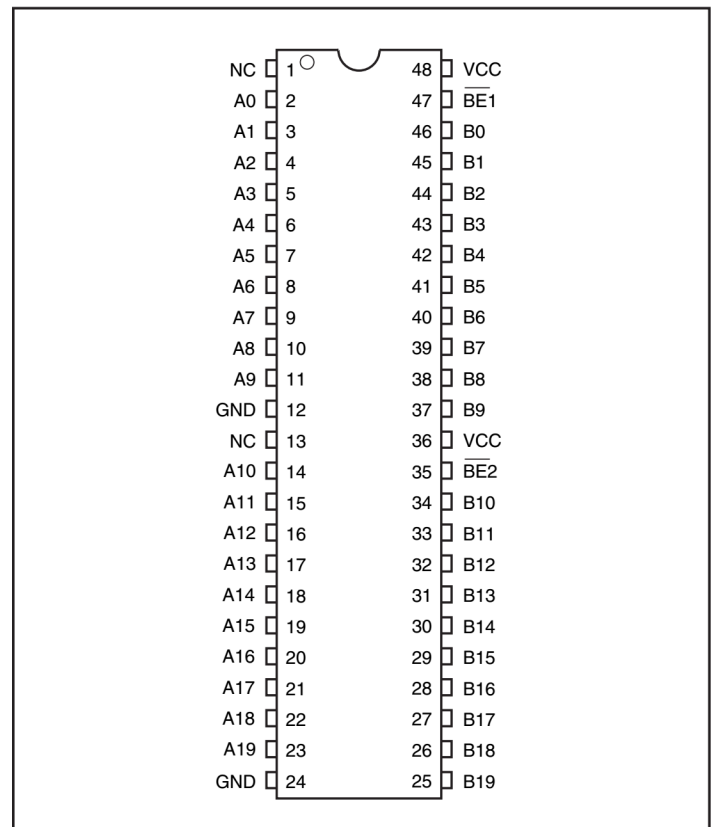


Features

- Near-Zero propagation delay
- 5-ohm switches connect inputs to outputs
- Fast Switching Speed: 5ns (max.)
- Direct bus connection when switches are ON
- 32X384 function with flow through pinout make board layout easier
- V_{CC} Operating Range: 3.0V to 3.6V
- Industrial operating temperature: -40°C to +85°C
- Packaging (Pb-free & Green available):
-48-pin 240-mil wide plastic TSSOP (A)

Description

Pericom Semiconductor's PI3B16861 is configured as a 3.3 volt, hot-insertion, 20-bit, 2-port bus switch designed with a low On-Resistance (5-ohm) allowing inputs to be connected directly to outputs. The bus switch creates no additional propagational delay or additional ground bounce noise. The switch is turned ON by the Bus Enable ($\overline{\text{BE}}_x$) input signal.

Block Diagram

Pin Configuration

Truth Table⁽¹⁾

| Function | $\overline{\text{BE}}_x$ | A19-A0 |
|------------|--------------------------|--------|
| Disconnect | H | Hi-Z |
| Connect | L | B19-B0 |

Note:

1. H = High Voltage Level
L = Low Voltage Level
Hi-Z = High Impedance

Pin Description

| Pin Name | Description |
|--------------------------|--------------------------------|
| $\overline{\text{BE}}_x$ | Bus Enable Inputs (Active LOW) |
| A19-A0 | Bus A |
| B19-B0 | Bus B |

Maximum Ratings

(Above which useful life may be impaired. For user guidelines, not tested.)

| | |
|--|-----------------|
| Storage Temperature | -65°C to +150°C |
| Ambient Temperature with Power Applied | -40°C to +85°C |
| Supply Voltage Range | -0.5V to +4.6V |
| DC Input Voltage | -0.5V to +4.6V |
| DC Output Current | 120mA |
| Power Dissipation | 0.5W |

Note:

Stresses greater than those listed under MAXIMUM RATINGS may cause permanent damage to the device. This is a stress rating only and functional operation of the device at these or any other conditions above those indicated in the operational sections of this specification is not implied. Exposure to absolute maximum rating conditions for extended periods may affect reliability.

DC Electrical Characteristics (Over the Operating Range, $T_A = -40^\circ\text{C}$ to $+85^\circ\text{C}$, $V_{CC} = 3.0\text{V}$ to 3.6V)

| Parameters | Description | Test Conditions ⁽¹⁾ | Min. | Typ. ⁽²⁾ | Max. | Units |
|------------|-------------------------------------|--|------|---------------------|---------|---------------|
| V_{IH} | Input HIGH Voltage | Guaranteed Logic HIGH Level | 2.0 | | | V |
| V_{IL} | Input LOW Voltage | Guaranteed Logic LOW Level | -0.5 | | 0.8 | |
| I_{IH} | Input HIGH Current | $V_{CC} = \text{Max.}, V_{IN} = V_{CC}$ | | | ± 1 | μA |
| I_{IL} | Input LOW Current | $V_{CC} = \text{Max.}, V_{IN} = \text{GND}$ | | | ± 1 | |
| I_{OZH} | High Impedance Output Current | $0 \leq A, B \leq V_{CC}$ | | | ± 1 | |
| V_{IK} | Clamp Diode Voltage | $V_{CC} = \text{Min.}, I_{IN} = -18\text{mA}$ | | -0.7 | -1.2 | V |
| R_{ON} | Switch ON Resistance ⁽³⁾ | $V_{CC} = \text{Min.}, V_{IN} = 0.0\text{V}, I_{ON} = 48\text{mA}$ | | 5 | 8 | Ω |
| | | $V_{CC} = \text{Min.}, V_{IN} = 2.4\text{V}, I_{ON} = 15\text{mA}$ | | 10 | 15 | |

Notes:

- For Max. or Min. conditions, use appropriate value specified under Electrical Characteristics for the applicable device type.
- Typical values are at $V_{CC} = 3.3\text{V}$, $T_A = 25^\circ\text{C}$ ambient and maximum loading.
- Measured by the voltage drop between A and B pin at indicated current through the switch. ON resistance is determined by the lower of the voltages on the two (A,B) pins.

Capacitance ($T_A = 25^\circ\text{C}$, $f = 1\text{MHz}$)

| Parameters ⁽¹⁾ | Description | Test Conditions | Typ. | Units |
|---------------------------|-----------------------------|----------------------|------|-------|
| C_{IN} | Input Capacitance | $V_{IN} = 0\text{V}$ | 3.0 | pF |
| C_{OFF} | A/B Capacitance, Switch Off | | 8.5 | |
| C_{ON} | A/B Capacitance, Switch On | | 17.0 | |

Notes:

- This parameter is determined by device characterization but is not production tested.

Switching Characteristics over Operating Range

| Parameters | Description | Conditions | Com. | | Units |
|--------------------------------------|--|---|------|------|-------|
| | | | Min. | Max. | |
| t _{PLH} t _{PHL} | Propagation Delay ^(1,2) Ax to Bx, Bx to Ax | C _L = 50pF R _L = 500-ohm | | 0.25 | ns |
| t _{PZH} t _{PZL} | Bus Enable Time BEx to Ax or Bx | C _L = 50pF R _L = 500-ohm | 1 | 4.5 | |
| t _{PHZ} t _{PLZ} | Bus Disable Time BEx to Ax or Bx | R = 500-ohm | 1 | 5 | |

Notes:

1. This parameter is guaranteed but not tested on Propagation Delays.
2. The bus switch contributes no propagational delay other than the RC delay of the ON resistance of the switch and the load capacitance. The time constant for the switch alone is of the order of 0.25ns for 50pF load. Since this time constant is much smaller than the rise/fall times of typical driving signals, it adds very little propagational delay to the system. Propagational delay of the bus switch when used in a system is determined by the driving circuit on the driving side of the switch and its interaction with the load on the driven side.

Power Supply Characteristics

| Parameters | Description | Conditions ⁽¹⁾ | | Min. | Type ⁽²⁾ | Max. | Units |
|------------------|---|--|--|------|---------------------|------|------------|
| I _{CC} | Quiescent Power Supply Current | V _{CC} = Max. | V _{IN} = GND or V _{CC} | | | 10 | μA |
| ΔI _{CC} | Supply Current per Input @ TTL HIGH | V _{CC} = Max. | V _{IN} = 3.0V ⁽³⁾ | | | 750 | |
| I _{CCD} | Supply Current per Input per MHz ⁽⁴⁾ | V _{CC} = Max. A and B Pins Open \overline{BE} = GND Control Input Toggling 50% Duty Cycle | | | | 0.25 | mA/ MHz |

Notes:

1. For Max. or Min. conditions, use appropriate value specified under Electrical Characteristics for the applicable device.
2. Typical values are at V_{CC} = 3.3V, +25°C ambient.
3. Per TTL driven input (control inputs only); A and B pins do not contribute to I_{CC}.
4. This current applies to the control inputs only and represent the current required to switch internal capacitance at the specified frequency. The A and B inputs generate no significant AC or DC currents as they transition. This parameter is not tested, but is guaranteed by design.

Applications Information

Logic Inputs

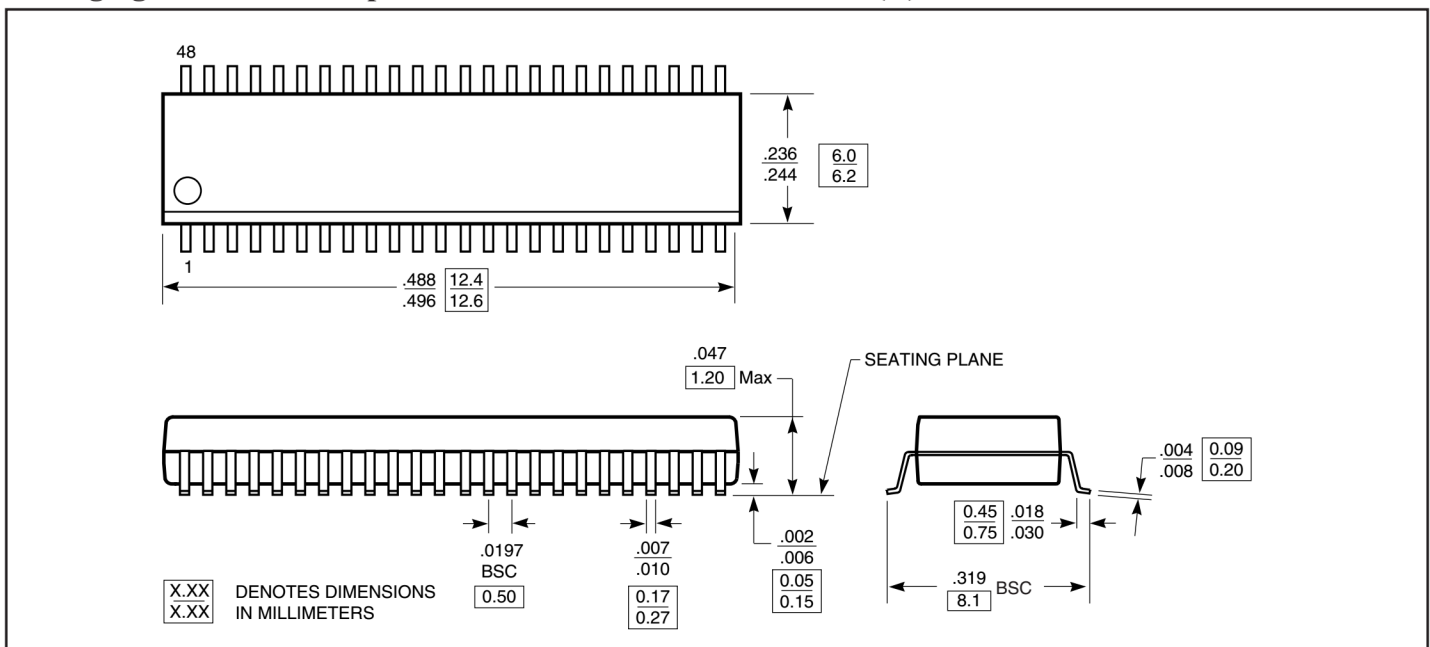
The logic control inputs can be driven up to +3.6V regardless of the supply voltage. For example, given a +3.3V supply, IN may be driven low to 0V and high to 3.6V. Driving IN Rail-to-Rail® minimizes power consumption.

Power-Supply Sequencing and Hot Plug Information

Proper power-supply sequencing is recommended for all CMOS devices. Always apply V_{CC} and GND before applying signals to input/output or control pins.

Rail-to-Rail is a registered trademark of Nippon Motorola, Ltd

Packaging Mechanical: 48-pin 240 Mil-Wide Thin Plastic TSSOP (A)



Ordering Information

| Ordering Code | Package Code | Package Type |
|---------------|--------------|-------------------------------|
| PI3B16861AE | A | Pb-free & Green, 48-pin TSSOP |

Notes:

- Thermal characteristics can be found on the company web site at www.pericom.com/packaging/
- E = Pb-free & Green
- Adding an X suffix = Tape/Reel