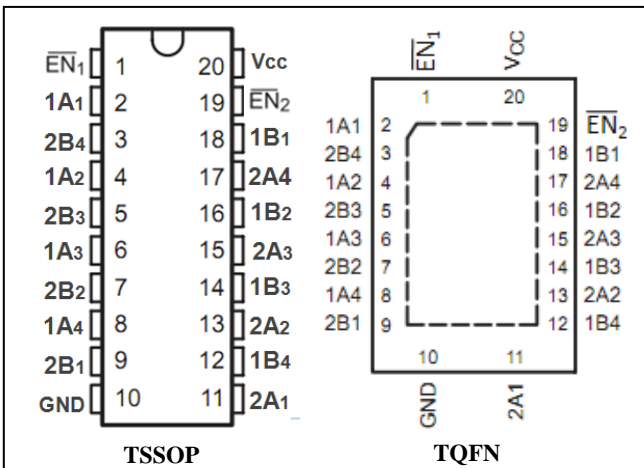


8-Bit Bus Switch, 2-Enable Low 1.8V/2.5V/3.3V, High-Bandwidth Switch, Hot Plug

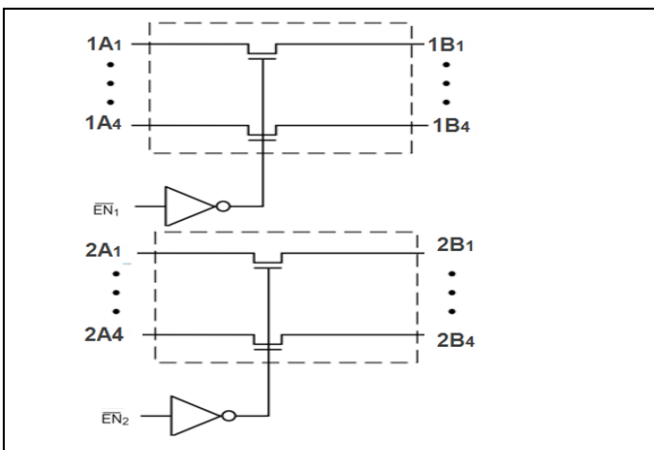
Features

- Near-Zero propagation delay
- 5-ohm switches connect inputs to outputs
- High signal passing bandwidth (500 MHz)
- Beyond Rail-to-Rail switching
 - 0 to 5V switching with 3.3V power supply
 - 0 to 3.3V switching with 2.5V power supply
- 5V I/O tolerant with supply in OFF and ON state
- 1.8V, 2.5V and 3.3V supply voltage operation
- Hot Insertion Capable
- Industrial Operating Temperature: -40 °C to +85 °C
- 8kV ESD Protection (human body model)
- Latch-up Performance: >200mA per JESD17
- Packaging (Pb-free & Green available):
 - 20-pin 173-mil wide plastic TSSOP (L)
 - 20-pin TQFN(ZH)

Pin Configuration



Block Diagram



Description

The PI3CH3244 is a Low-voltage, 8-channel switch designed with fast enables. The switch creates no additional ground bounce noise or propagation delay.

The PI3CH3244 device has two active LOW enables. It is very useful in switching signals that have high bandwidth (500 MHz).

Applications

- High Bandwidth Data Switching
- Hot-Docking
- Analog Signal Switching
- Differential Signal Switching

Pin Description

| Pin No | Pin Name | Description |
|----------------|-------------------|---------------|
| 1, 19 | \overline{EN}_x | Switch Enable |
| 2, 4, 6, 8 | 1A1-1A4 | A Ports |
| 3, 5, 7, 9 | 2B1-2B4 | B Ports |
| 10 | GND | Ground |
| 12, 14, 16, 18 | 1B4-1B1 | B Ports |
| 13, 15, 17, 19 | 2A4-2A1 | A Ports |
| 20 | VCC | Power |

Truth Table⁽¹⁾

| 1B1-1B4 | 2B1-2B4 | \overline{EN}_1 | \overline{EN}_2 | Function |
|---------|---------|-------------------|-------------------|------------|
| Hi-Z | Hi-Z | H | H | Disconnect |
| 1A1-1A4 | Hi-Z | L | H | Connect |
| Hi-Z | 2A1-2A4 | H | L | Connect |
| 1A1-1A4 | 2A1-2A4 | L | L | Connect |

Note:

1. H=High Voltage Level; L=Low Voltage Level
Hi-Z= High Impedance.

Maximum Ratings

| | |
|---|------------------|
| Storage Temperature..... | -65°C to +150°C |
| Ambient Temperature with Power Applied..... | -40 °C to +85 °C |
| Supply Voltage to Ground Potential..... | -0.5V to +4.6V |
| DC Input Voltage..... | -0.5V to +6.0V |
| DC Output Current..... | 120mA |
| Power Dissipation..... | 0.5W |

Note:

Stresses greater than those listed under MAXIMUM RATINGS may cause permanent damage to the device. This is a stress rating only and functional operation of the device at these or any other conditions above those indicated in the operational sections of this specification is not implied. Exposure to absolute maximum rating conditions for extended periods may affect reliability.

DC Electrical Characteristics

3.3V supply (Over operating range, $T_A = -40 \sim +85 \text{ }^\circ\text{C}$, $V_{CC} = 3.3V \pm 10\%$, unless otherwise noted)

| Symbol | Description | Test Conditions ⁽¹⁾ | Min | Typ ⁽²⁾ | Max | Unit |
|-----------|-------------------------------------|---|------|--------------------|---------|---------------|
| V_{IH} | Control Input HIGH Voltage | Guaranteed Logic HIGH Level | 2.0 | - | - | V |
| V_{IL} | Control Input LOW Voltage | Guaranteed Logic LOW Level | -0.5 | - | 0.8 | V |
| V_{IK} | Clamp Diode Voltage | $V_{CC} = \text{Min.}, I_{IN} = -18\text{mA}$ | - | -1.3 | -1.8 | V |
| I_{IH} | Input HIGH Current | $V_{CC} = \text{Max.}, V_{IN} = V_{CC}$ | - | - | ± 1 | μA |
| I_{IL} | Input Low Current | $V_{CC} = \text{Max.}, V_{IN} = \text{GND}$ | - | - | ± 1 | μA |
| I_{OZH} | High-Impedance Current | $0 \leq A, B \leq V_{CC}$ | - | - | ± 1 | μA |
| R_{ON} | Switch On-Resistance ⁽³⁾ | $V_{CC} = \text{Min.}, V_{IN} = 0.0\text{V}$ $I_{ON} = -48\text{mA}$ or -64mA | - | 4 | 6 | Ω |
| | | $V_{CC} = \text{Min.}, V_{IN} = 3.6\text{V}$ $I_{ON} = -15\text{mA}$ | - | 5 | 8 | |

Notes:

- For Max. or Min. conditions, use appropriate value specified under Electrical Characteristics for the applicable device type.
- Typical values are at $V_{CC} = 3.3\text{V}$, $T_A = 25 \text{ }^\circ\text{C}$ ambient and maximum loading.
- Measured by the voltage drop between A and B pin at indicated current through the switch. ON resistance is determined by the lower of the voltages on the two (A, B) pins.

2.5V supply (Over operating range, $T_A = -40 \sim +85 \text{ }^\circ\text{C}$, $V_{CC} = 2.5V \pm 10\%$, unless otherwise noted)

| Symbol | Description | Test Conditions ⁽¹⁾ | Min | Typ ⁽²⁾ | Max | Unit |
|-----------|-------------------------------------|--|------|--------------------|----------------|---------------|
| V_{IH} | Control Input HIGH Voltage | Guaranteed Logic HIGH Level | 1.8 | - | $V_{CC} + 0.3$ | V |
| V_{IL} | Control Input LOW Voltage | Guaranteed Logic LOW Level | -0.3 | - | 0.8 | V |
| V_{IK} | Clamp Diode Voltage | $V_{CC} = \text{Max.}, I_{IN} = -6\text{mA}$ | - | -0.7 | -1.8 | V |
| I_{IH} | Input HIGH Current | $V_{CC} = \text{Max.}, V_{IN} = V_{CC}$ | - | - | ± 1 | μA |
| I_{IL} | Input Low Current | $V_{CC} = \text{Max.}, V_{IN} = \text{GND}$ | - | - | ± 1 | μA |
| I_{OZH} | High-Impedance Current | $0 \leq A, B \leq V_{CC}$ | - | - | ± 1 | μA |
| R_{ON} | Switch On-Resistance ⁽³⁾ | $V_{CC} = \text{Min.}, V_{IN} = 0.0\text{V}$ $I_{ON} = -48\text{mA}$ | - | 4 | 8 | Ω |
| | | $V_{CC} = \text{Min.}, V_{IN} = 2.25\text{V}$ $I_{ON} = -15\text{mA}$ | - | 7 | 14 | |

Notes:

- For Max. or Min. conditions, use appropriate value specified under Electrical Characteristics for the applicable device type.
- Typical values are at $V_{CC} = 2.5\text{V}$, $T_A = 25 \text{ }^\circ\text{C}$ ambient and maximum loading.
- Measured by the voltage drop between A and B pin at indicated current through the switch. ON resistance is determined by the lower of the voltages on the two (A, B) pins.



1.8V supply (Over operating range, $T_A = -40 \sim +85 \text{ }^\circ\text{C}$, $V_{CC}=1.8\text{V} \pm 10\%$, unless otherwise noted)

| Symbol | Description | Test Conditions ⁽¹⁾ | Min | Typ ⁽²⁾ | Max | Unit |
|-----------|-------------------------------------|---|------|--------------------|--------------|---------------|
| V_{IH} | Control Input HIGH Voltage | Guaranteed Logic HIGH Level | 1.2 | - | $V_{CC}+0.3$ | V |
| V_{IL} | Control Input LOW Voltage | Guaranteed Logic LOW Level | -0.3 | - | 0.6 | V |
| V_{IK} | Clamp Diode Voltage | $V_{CC} = \text{Min.}, I_{IN} = -18\text{mA}$ | - | -0.7 | -1.8 | V |
| I_{IH} | Input HIGH Current | $V_{CC} = \text{Max.}, V_{IN} = V_{CC}$ | - | - | ± 1 | μA |
| I_{IL} | Input Low Current | $V_{CC} = \text{Max.}, V_{IN} = \text{GND}$ | - | - | ± 1 | μA |
| I_{OZH} | High-Impedance Current | $0 \leq A, B \leq V_{CC}$ | - | - | ± 1 | μA |
| R_{ON} | Switch On-Resistance ⁽³⁾ | $V_{CC} = \text{Min.}, V_{IN} = 0.0\text{V}$ $I_{ON} = -48\text{mA}$ | - | 4 | 8 | Ω |
| | | $V_{CC} = \text{Min.}, V_{IN} = 1.6\text{V}$ $I_{ON} = -15\text{mA}$ | - | 10 | 25 | |

Notes:

1. For Max. or Min. conditions, use appropriate value specified under Electrical Characteristics for the applicable device type.
2. Typical values are at $V_{CC} = 1.8\text{V}$, $T_A = 25 \text{ }^\circ\text{C}$ ambient and maximum loading.
3. Measured by the voltage drop between A and B pin at indicated current through the switch. ON resistance is determined by the lower of the voltages on the two (A, B) pins.

Capacitance ($T_A = 25 \text{ }^\circ\text{C}$, $f=1\text{MHz}$)

| Symbol ⁽¹⁾ | Description | Test Conditions | Typ ⁽²⁾ | Unit |
|-----------------------|-----------------------------|----------------------|--------------------|------|
| C_{IN} | Input Capacitance | $V_{IN} = 0\text{V}$ | 2.0 | pF |
| C_{OFF} | A/B Capacitance, Switch Off | | 3.5 | |
| C_{ON} | A/B Capacitance, Switch On | | 7.0 | |

Note:

1. These parameters are determined by device characterization but are not production tested

Power Supply Characteristics

| Symbol | Description | Test Conditions ⁽¹⁾ | Min | Typ ⁽²⁾ | Max | Unit |
|----------|--------------------------------|--|-----|--------------------|-----|------|
| I_{CC} | Quiescent Power Supply Current | $V_{CC} = 3.6\text{V}, V_{IN} = \text{GND or } V_{CC}$ | - | 0.2 | 0.5 | mA |

Note:

1. For Max. or Min. conditions, use appropriate value specified under Electrical Characteristics for the applicable device.
2. Typical values are at $+25 \text{ }^\circ\text{C}$ ambient.

Dynamic Electrical Characteristics

(Over Operating Range, $T_A = -40 \sim +85 \text{ }^\circ\text{C}$, $V_{CC}=3.3\text{V} \pm 10\%$)

| Symbol | Description | Test Conditions | Min | Typ | Max | Unit |
|------------|----------------|------------------|-----|-----|-----|------|
| X_{TALK} | Crosstalk | 10 MHz | - | -60 | - | dB |
| O_{IRR} | Off-Isolation | 10 MHz | - | -60 | - | |
| BW | -3dB Bandwidth | See test Diagram | - | 500 | - | MHz |

**Switch Characteristics**

Over 3.3V Operating Range

| Symbol | Description | Test Conditions ⁽¹⁾ | Min | Typ | Max | Unit |
|--------------------|--|--------------------------------|-----|-----|-----|------|
| t_{PLH}, t_{PHL} | Propagation Delay ^(2, 3) Ax to Bx, Bx to Ax | See test Diagram | - | - | 0.3 | ns |
| t_{PZH}, t_{PZL} | Enable Time \overline{ENx} to Ax or Bx | See test Diagram | 1.5 | - | 9.0 | |
| t_{PHZ}, t_{PLZ} | Disable Time \overline{ENx} to Ax or Bx | See test Diagram | 1.5 | - | 9.0 | |

Note:

1. See test circuit and waveforms.
2. This parameter is guaranteed but not tested on Propagation Delays.
3. The switch contributes no propagation delay other than the RC delay of the On-Resistance of the switch and the load capacitance. The time constant for the switch alone is of the order of 0.30ns for 10pF load. Since this time constant is much smaller than the rise/fall times of typical driving signals, it adds very little propagation delay to the system. Propagation delay of the switch when used in a system is determined by the driving circuit on the driving side of the switch and its interaction with the load on the driven side.

Over 2.5V Operating Range

| Symbol | Description | Test Conditions ⁽¹⁾ | Min | Typ | Max | Unit |
|--------------------|--|--------------------------------|-----|-----|------|------|
| t_{PLH}, t_{PHL} | Propagation Delay ^(2, 3) Ax to Bx, Bx to Ax | See test Diagram | - | - | 0.3 | ns |
| t_{PZH}, t_{PZL} | Enable Time \overline{ENx} to Ax or Bx | See test Diagram | 1.5 | - | 15.0 | |
| t_{PHZ}, t_{PLZ} | Disable Time \overline{ENx} to Ax or Bx | See test Diagram | 1.5 | - | 12.0 | |

Note:

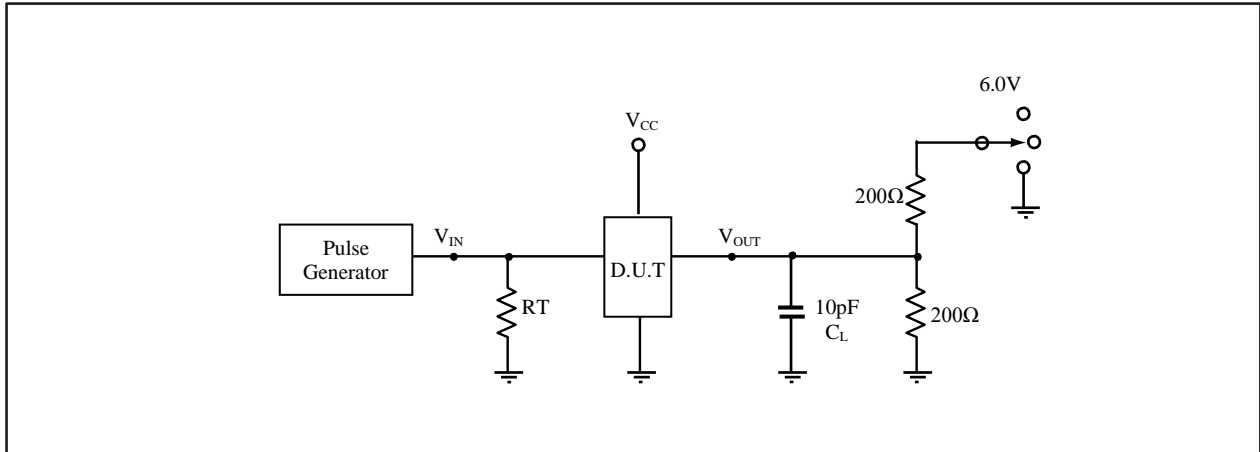
1. See test circuit and waveforms.
2. This parameter is guaranteed but not tested on Propagation Delays.
3. The switch contributes no propagation delay other than the RC delay of the On-Resistance of the switch and the load capacitance. The time constant for the switch alone is of the order of 0.30ns for 10pF load. Since this time constant is much smaller than the rise/fall times of typical driving signals, it adds very little propagation delay to the system. Propagation delay of the switch when used in a system is determined by the driving circuit on the driving side of the switch and its interaction with the load on the driven side.

Over 1.8V Operating Range

| Symbol | Description | Test Conditions ⁽¹⁾ | Min | Typ | Max | Unit |
|--------------------|--|--------------------------------|-----|-----|------|------|
| t_{PLH}, t_{PHL} | Propagation Delay ^(2, 3) Ax to Bx, Bx to Ax | See test Diagram | - | - | 0.3 | ns |
| t_{PZH}, t_{PZL} | Enable Time \overline{ENx} to Ax or Bx | See test Diagram | 1.5 | - | 25.0 | |
| t_{PHZ}, t_{PLZ} | Disable Time \overline{ENx} to Ax or Bx | See test Diagram | 1.5 | - | 12.0 | |

Note:

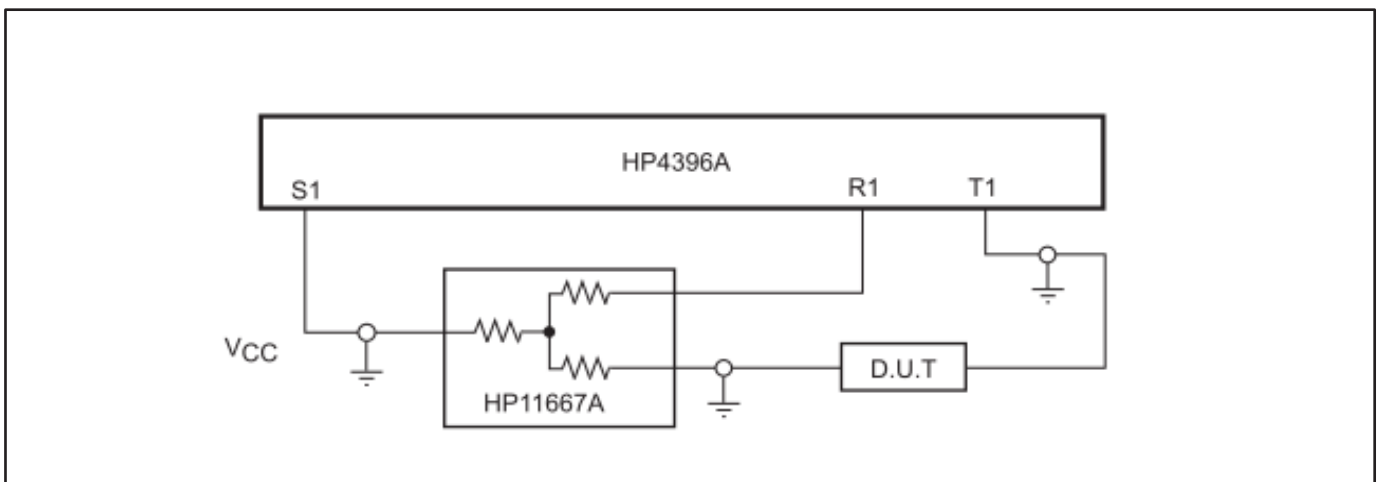
1. See test circuit and waveforms.
2. This parameter is guaranteed but not tested on Propagation Delays.
3. The switch contributes no propagation delay other than the RC delay of the On-Resistance of the switch and the load capacitance. The time constant for the switch alone is of the order of 0.30ns for 10pF load. Since this time constant is much smaller than the rise/fall times of typical driving signals, it adds very little propagation delay to the system. Propagation delay of the switch when used in a system is determined by the driving circuit on the driving side of the switch and its interaction with the load on the driven side.

Test Circuit for Electrical Characteristics

Notes:

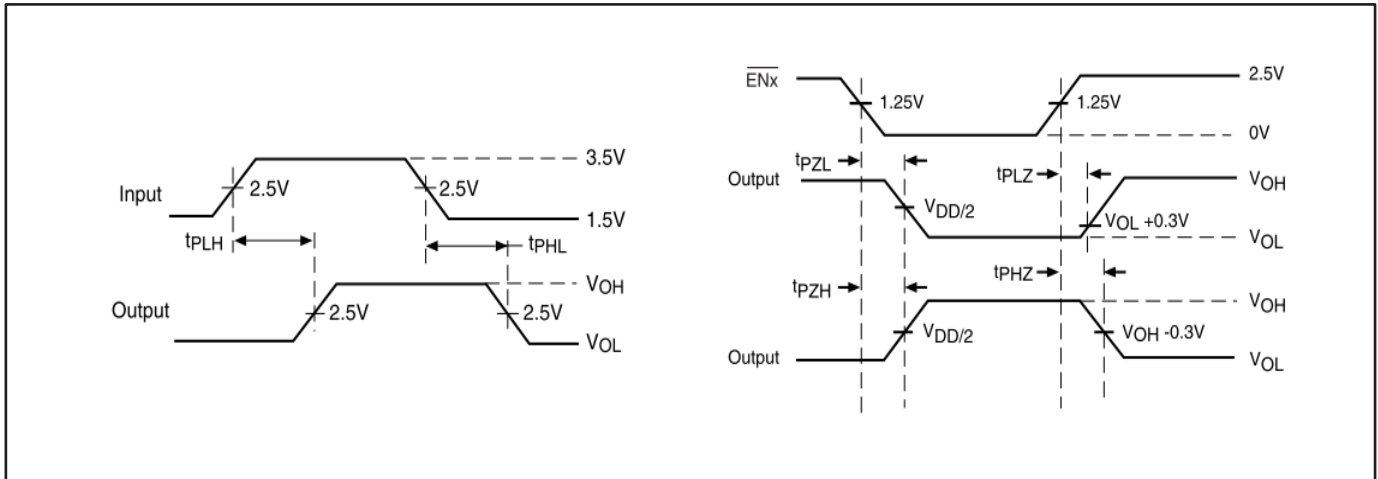
1. C_L = Load capacitance: includes jig and probe capacitance.
2. R_T = Termination resistance: should be equal to Z_{OUT} of the Pulse Generator
3. All input impulses are supplied by generators having the following characteristics: $PRR \leq 10$ MHz, $Z_O = 50$ -ohm, $t_R \leq 2.5$ ns, $t_F \leq 2.5$ ns.
4. The outputs are measured one at a time with one transition per measurement.

Switch Positions

| Test | Switch |
|-----------------------|--------|
| t_{PLZ} , t_{PZL} | 6.0V |
| t_{PHZ} , t_{PZH} | GND |
| Prop Delay | Open |

Test Circuit for Dynamic Electrical Characteristics


Switching Waveforms



Applications Information

Logic Inputs

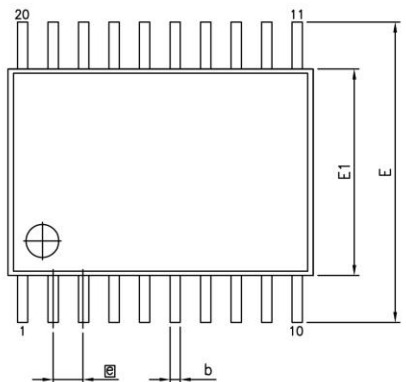
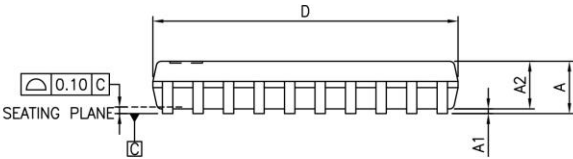
The logic control inputs can be driven up to 3.6V regardless of the supply voltage. For example, given a +3.3V supply, \overline{EN} may be driven LOW to 0V and HIGH to 3.6V. Driving \overline{EN} Rail-to-Rail[®] minimizes power consumption.

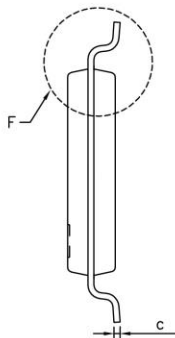
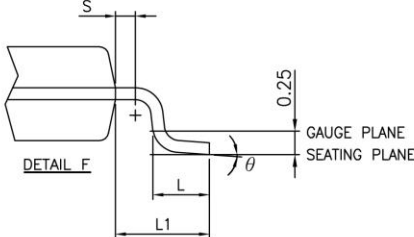
Hot Insertion

For Datacom and Telecom applications that have ten or more volts passing through the backplane, a high voltage from the power supply may be seen at the device input pins during hot insertion. The PI3CH3244 devices have maximum limits of 6V and 120mA for 20ns. If the power is higher or applied for a longer time or repeatedly reaches the maximum limits, the devices can be damaged.

Rail-to-Rail is a registered trademark of Nippon Motorola, Ltd.

Mechanical Information
20-Pin TSSOP(L)





VARIATIONS (ALL DIMENSIONS SHOWN IN MM)

| SYMBOLS | MIN. | NOM. | MAX. |
|----------|----------|------|------|
| A | – | – | 1.20 |
| A1 | 0.05 | – | 0.15 |
| A2 | 0.80 | – | 1.05 |
| b | 0.19 | – | 0.30 |
| C | 0.09 | – | 0.20 |
| D | 6.40 | 6.50 | 6.60 |
| E1 | 4.30 | 4.40 | 4.50 |
| E | 6.40 BSC | | |
| e | 0.65 BSC | | |
| L1 | 1.00 REF | | |
| L | 0.45 | 0.60 | 0.75 |
| S | 0.20 | – | – |
| θ | 0° | – | 8° |

Notes:

1. Refer JEDEC MO-153F/AC
2. Controlling dimensions in millimeters
3. Package outline exclusive of mold flash and metal burr



PERICOM
Enabling Serial Connectivity

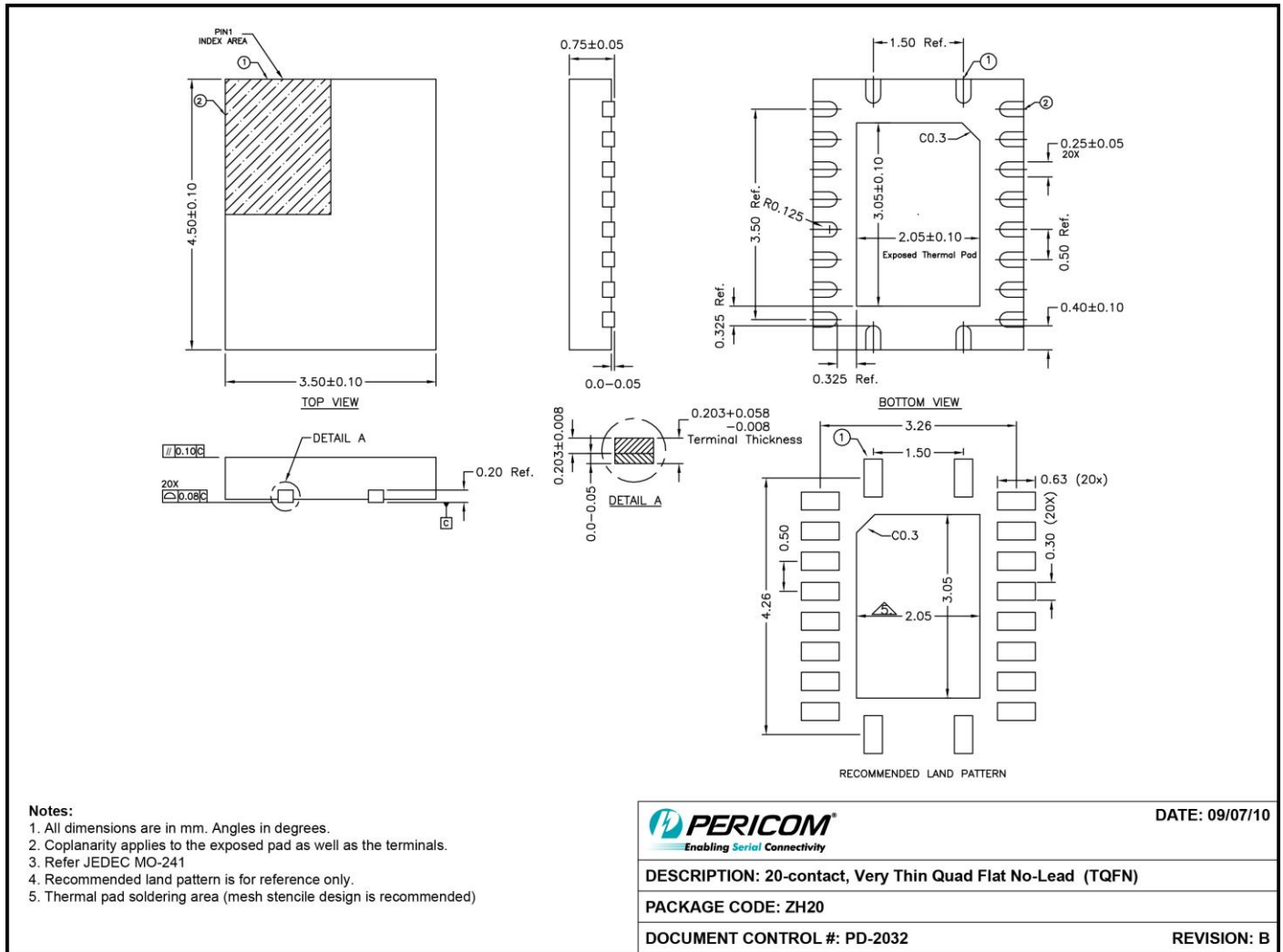
DESCRIPTION: 20-pin, 173mil Wide TSSOP

PACKAGE CODE: L

DOCUMENT CONTROL #: PD-1311

DATE: 05/03/12

REVISION: F

20-Pin TQFN(ZH)

Ordering Information

| Part No. | Package Code | Package |
|---------------|--------------|---|
| PI3CH3244LEX | L | Lead free and Green 20-Pin TSSOP, Tape & Reel |
| PI3CH3244ZHEX | ZH | Lead free and Green 20-Pin TQFN, Tape & Reel |

Note:

- E = Pb-free & Green
- Adding X Suffix= Tape/Reel

Pericom Semiconductor Corporation • 1-800-435-2336 • www.pericom.com

Pericom reserves the right to make changes to its products or specifications at any time, without notice, in order to improve design or performance and to supply the best possible product. Pericom does not assume any responsibility for use of any circuitry described other than the circuitry embodied in Pericom product. The company makes no representations that circuitry described herein is free from patent infringement or other rights, of Pericom.