



3:1 Active HDMI 1.3 Compatible Switch with Optimized Equalization for Enhanced Signal Integrity

Features

- Supply voltage, $V_{CC} = 3.3V \pm 5\%$
- Each Port is compatible w/ DVI, HDMI 1.1, HDMI 1.2 or HDMI 1.3 signals
- Supports both AC-coupled and DC-coupled inputs
- High Performance, up to 1.65 Gbps per channel
- Switching support for 3 side band signals (SCL, SDA and HPD)
- 5V Tolerance on all side band signals
- SCL, SDA, and HPD pins are the only pins that can support HOT INSERTION
- Integrated 50-ohm ($\pm 10\%$) termination resistors at each high speed signal input
- Configurable output swing control (500mV, 750mV, 1000mV)
- Configurable Pre-Emphasis levels (0dB, 1.5dB, 3.5dB, & 6.0dB)
- Configurable De-Emphasis (0dB, -3.5dB, -6.0dB, -9.5dB)
- Optimized Equalization
Single default setting will support all cable lengths
- ESD protection = 8kV (typical) on high-speed data channels only
- Propagation delay $\leq 2ns$
- High Impedance Outputs when disabled
- Packaging (Pb-free & Green): 80-contact LQFP (FF80)

Description

Pericom Semiconductor's PI3HDMI341AR 3:1 active switch circuit is targeted for high-resolution video networks that are based on DVI/HDMI standards and TMDS signal processing. The PI3HDMI341AR is an active 3 TMDS to 1 TMDS receiver switch with Hi-Z outputs. The device receives differential signals from selected video components and drives the video display unit. It provides three controllable output swings that can be controlled through a single bit. The allowable output swings are 500mV, 750mV and 1000mV. This solution also provides a unique advanced pre-emphasis technique to increase rise and fall times which are reduced during transmission across long distances.

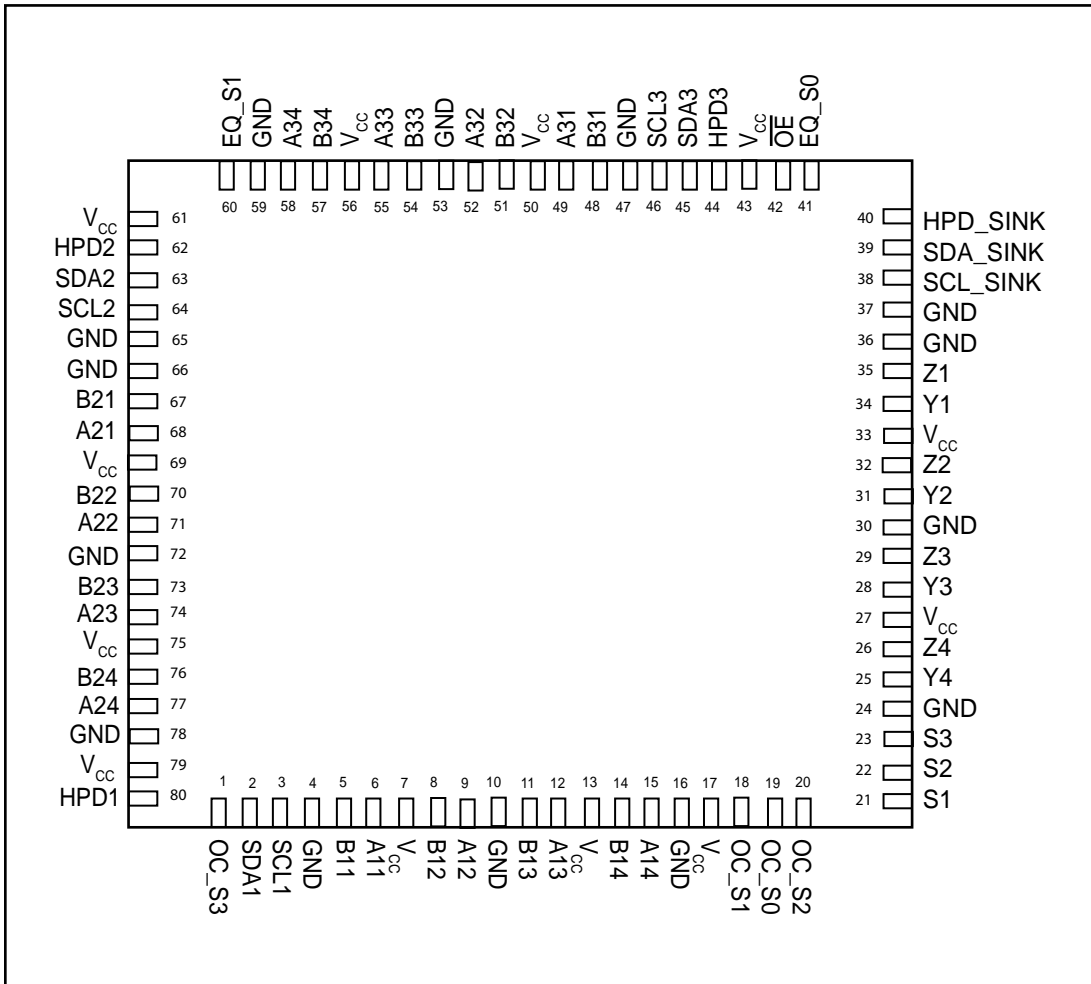
Each complete HDMI/DVI channel also has slower speed, side band signals, that are required to be switched. Pericom's solution provides a complete solution by integrating the side band switch together with the high speed switch in a single solution. Using Equalization at the input of each of the high speed channels, Pericom can successfully eliminate deterministic jitter caused by long cables from the source to the sink. The elimination of the deterministic jitter allows the user to use much longer cables (up to 25 meters).

The maximum DVI/HDMI Bandwidth of 1.65 Gbps provides 8-bit deep color support, which is offered by HDMI revision 1.3. Due to its active uni-directional feature, this switch is designed for usage only for the video receiver's side. For consumer video networks, the device sits at the receiver's side to switch between multiple video components, such as PC, DVD, STB, D-VHS, etc. The PI3HDMI341AR is the industry's first active DVI/HDMI switch compatible with HDMI 1.1, 1.2, and 1.3 which ensures transmitting high-bandwidth video streams from video components to the display unit. The PI3HDMI341AR also provides enhanced robust ESD/EOS protection of 8kV, which is required by many consumer video networks today.

The Optimized Equalization provides the user a single optimal setting that can provide HDMI compliance for all cable lengths: 2meter, 10meter, 15meter, and 20 meter. Pericom also offers the ability to fine tune the equalization settings in situations where cable length is known. For example, if 25meter length cable is required, Pericom's solution can be adjusted to 16dB EQ to accept 25meter cable length.



Pin Configuration




Pin Description

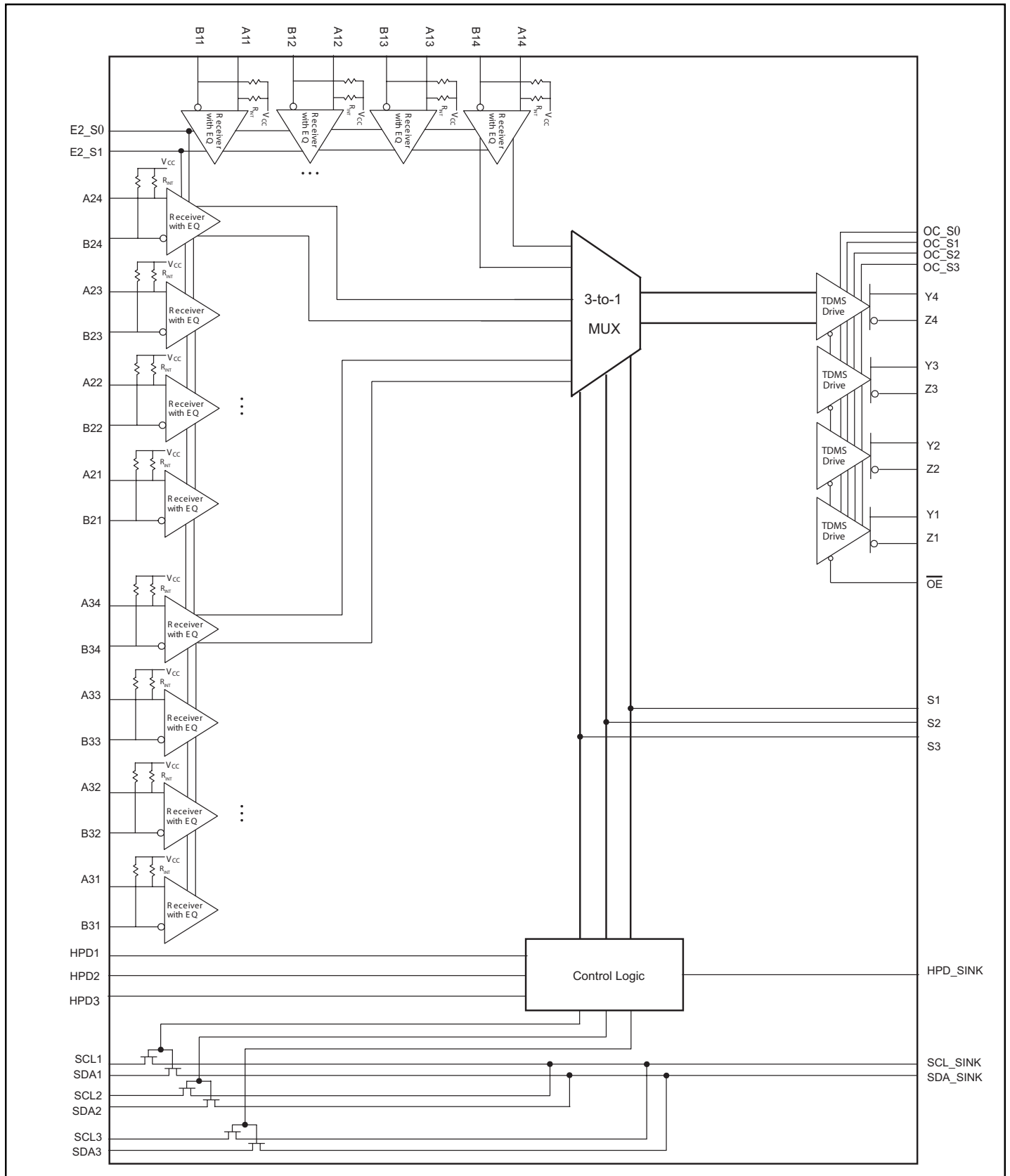
Pin #	Pin Name	I/O	Description
6,9,12,15	A11, A12, A13, A14	I	Port 1 TMDS Positive inputs
68, 71, 74, 77	A21, A22, A23, A24	I	Port 2 TMDS Positive inputs
49, 52, 55, 58	A31, A32, A33, A34	I	Port 3 TMDS Positive inputs
5, 8, 11, 14	B11, B12, B13, B14	I	Port 1 TMDS Negative inputs
67, 70, 73, 76	B21, B22, B23, B24	I	Port 2 TMDS Negative inputs
48, 51, 54, 57	B31, B32, B33, B34	I	Port 3 TMDS Negative inputs
4, 10, 16 24, 30, 36, 37, 47, 53, 59, 65, 66, 72, 78	GND		Ground
80	HPD1	O	Port 1 HPD output
62	HPD2	O	Port 2 HPD output
44	HPD3	O	Port 3 HPD output
40	HPD_Sink	I	Sink side hot plug detector input. High: 5-V power signal asserted from source to sink and EDID is ready. Low: No 5-V power signal asserted from source to sink, or EDID is not ready.
42	\overline{OE}	I	Output Enable, Active LOW
3	SCL1	I	Port 1 DDC Clock
64	SCL2	I	Port 2 DDC Clock
46	SCL3	I	Port 3 DDC Clock
38	SCL_Sink	O	Sink Side DDC Data
2	SDA1	I/O	Port 1 DDC Data
63	SDA2	I/O	Port 2 DDC Data
45	SDA3	I/O	Port 3 DDC Data
39	SDA_Sink	I/O	Sink Side DDC Data
21,22,23	S1, S2, S3	I	Source Input Selector
7, 13, 17 27, 33, 43, 50, 56 61, 69, 75, 79	Vcc		3.3V Power Supply
34, 31, 28, 25	Y1, Y2, Y3, Y4	O	TMDS positive outputs
35, 32, 29, 26	Z1, Z2, Z3, Z4	O	TMDS negative outputs
41, 60	EQ_S0, EQ_S1	I	Equalizer controls ⁽¹⁾
19, 18, 20, 1	OC_S0, OC_S1, OC_S2, OC_S3	I	Output buffer controls Note: OC_S3 has an internal pull-up resistor. OC_S2 has an internal pull-down resistor.

Note:

1. EQ_S0 has an internal pull-down and EQ_S1 has an internal pull-up



Switch Block Diagram





Truth Table

Control Pins			I/O Selected		Hot Plug Detect Status		
S1	S2	S3	Y/Z	SCL_Sink SDA_Sink	HPD1	HPD2	HPD3
H	x	x	A1/B1	SCL1 SDA1	HPD_Sink	L	L
L	H	x	A2/B2	SCL2 SDA2	L	HPD_Sink	L
L	L	H	A3/B3	SCL3 SDA3	L	L	HPD_Sink
L	L	L	None (Hi-Z)	None (Hi-Z)	L	L	L

OC Setting Value Logic Table

Input Control Pins				Setting Value		
OC_S3	OC_S2	OC_S1	OC_S0	V _{swing} (mV)	V _{os} (V)	Pre-emphasis/De-emphasis (dB)
0	0	0	0	500	3.06	none
0	0	0	1	750	2.95	none
0	0	1	0	1000	2.84	none
0	0	1	1	500	3.02	none
0	1	0	0	500	3.06	0
0	1	0	1	500	3.05	1.5
0	1	1	0	500	2.97	3.5
0	1	1	1	500	2.9	6
1	0	0	0	500	3.08	0
1	0	0	1	340	3.08	-3.5
1	0	1	0	270	3.08	-6
1	0	1	1	160	3.08	-9.5
1	1	0	0	1000	2.85	0
1	1	0	1	830	2.85	-3.5
1	1	1	0	500	2.85	-6
1	1	1	1	330	2.85	-9.5

EQ Setting Value Logic Table

EQ_S1	EQ_S0	Setting Value
0	0	3dB on all high speed inputs
0	1	8dB on all high speed inputs
1	0	Optimized Equalization enabled on all high speed inputs (default value if both EQ_S0 and EQ_S1 are left floating)
1	1	16dB on all high speed inputs



Maximum Ratings

(Above which useful life may be impaired. For user guidelines, not tested.)

Storage Temperature	-65°C to +150°C
Supply Voltage to Ground Potential.....	-0.5V to +4.0V
DC Input Voltage	-0.5V to V _{CC}
DC Output Current.....	120mA
Power Dissipation	1.0W

Note:

Stresses greater than those listed under MAXIMUM RATINGS may cause permanent damage to the device. This is a stress rating only and functional operation of the device at these or any other conditions above those indicated in the operational sections of this specification is not implied. Exposure to absolute maximum rating conditions for extended periods may affect reliability.

Recommended Operating Conditions

Symbol	Parameter	Min.	Typ.	Max.	Units
V _{CC}	Supply Voltage	3.135	3.3	3.465	V
T _A	Operating free-air temperature	0		70	°C
TMDS Differential Pins (A/B)					
V _{ID}	Receiver peak-to-peak differential input voltage	150		1560	mVp-p
V _{IC}	Input common mode voltage	2		V _{CC} + 0.01	V
V _{CC}	TMDS output termination voltage	3.135	3.3	3.465	V
R _T	Termination resistance	45	50	55	ohm
	Signaling rate	0		1.65	Gbps
Control Pins (OC_{Sx}, EQ_{Sx}, S, \overline{OE})					
V _{IH}	LVTTL High-level input voltage	2		V _{CC}	V
V _{IL}	LVTTL Low-level input voltage	GND		0.8	
DDC Pins (SCL, SCL_{SINK}, SDA, SDA_{SINK})					
V _{I(DDC)}	Input voltage	GND		5.5	V
Status Pins (HPD_{SINK})					
V _{IH}	LVTTL High-level input voltage	2		5.3	V
V _{IL}	LVTTL Low-level input voltage	GND		0.8	



TMDS Compliance Test Results

Item	HDMI 1.3 Spec	Pericom Product Spec
Operating Conditions		
Termination Supply Voltage, V_{CC}	$3.3V \leq 5\%$	$3.30 \pm 10\%$
Terminal Resistance	50-ohm $\pm 10\%$	45 to 55-ohm
Source DC Characteristics at TP1		
Single-ended high level output voltage, V_H	$V_{CC} \pm 10mV$	$V_{CC} \pm 5mV$
Single-ended low level output voltage, V_L	$(V_{CC} - 600mV) \leq V_L \leq (V_{CC} - 400mV)$	$(V_{CC} - 600mV) \leq V_L \leq (V_{CC} - 400mV)$
Single-ended output swing voltage, V_{swing}	$400mV \leq V_{swing} \leq 600mV$	$400mV \leq V_{swing} \leq 600mV$
Single-ended standby (off) output voltage, V_{off}	$V_{CC} \pm 10mV$	$V_{CC} \pm 10mV$
Transmitter AC Characteristics at TP1		
Risetime/Falltime (20%-80%)	$75ps \leq \text{Risetime/Falltime} \leq 0.4 \text{ Tbit}$ ($75ps \leq tr/tf \leq 242ps$) @ 1.65 Gbps	240ps
Intra-Pair Skew at Transmitter Connector, max	0.15 Tbit (90.9ps @ 1.65 Gbps)	60ps max
Inter-Pair Skew at Transmitter Connector, max	0.2 Tpixel (1.2ns @ 1.65 Gbps)	100ps max
Clock Jitter, max	0.25 Tbit (151.5ps @ 1.65 Gbps)	82ps max
Sink Operating DC Characteristics at TP2		
Input Differential Voltage Level, V_{diff}	$150 \leq V_{diff} \leq 1200mV$	$150mV \leq V_{DIFF} \leq 1200mV$
Input Common Mode Voltage Level, V_{ICM}	$(V_{CC} - 300mV) \leq V_{icm} \leq (V_{CC} - 37.5mV)$ Or $V_{CC} \pm 10\%$	$(V_{CC} - 300mV) \leq V_{icm} \leq (V_{CC} - 37.5mV)$ Or $V_{CC} \pm 10\%$
Sink DC Characteristics When Source Disabled or Disconnected at TP2		
Differential Voltage Level	$V_{CC} \pm 10mV$	$V_{CC} \pm 10mV$


Electrical Characteristics (over recommended operating conditions unless otherwise noted)

Symbol	Parameter	Test Conditions	Min.	Typ. ⁽¹⁾	Max.	Units
I _{CC}	Supply Current	V _{IH} = V _{CC} , V _{IL} = V _{CC} - 0.4V, R _T = 50-ohm, V _{CC} = 3.3V Am/Bm = 1.65 Gbps HDMI data pattern, m = 2, 3, 4		190	230	mA
P _D	Power Dissipation	A1/B1 = 165 MHz clock		394	657	mW
TMDS Differential Pins (A/B; Y/Z)						
V _{OH}	Single-ended high-level output voltage	V _{CC} = 3.3V, R _T = 50-ohm Pre-emphasis/De-emphasis = 0dB	V _{CC} - 10		V _{CC} + 10	mV
V _{OL}	Single-ended low-level output voltage		V _{CC} - 600		V _{CC} - 400	
V _{swing}	Single-ended output swing voltage		400		600	
V _{OD(O)}	Overshoot of output differential voltage			6%	15%	2x V _{swing}
V _{OD(U)}	Undershoot of output differential voltage			12%	25%	
ΔV _{OC(SS)}	Change in steady-state common-mode output voltage between logic states				0.5	5
I _(OS)	Short circuit output current				12	mA
V _{ODE(SS)}	Steady state output differential voltage	OC_S0 = V _{CC} , Am/Bm = 250 Mbps HDMI data pattern, m = 2, 3, 4 A1/B1 = 25 MHz clock	560		840	mVp-p
V _{ODE(PP)}	Peak-to-peak output differential voltage		800		1200	
V _{I(open)}	Single-ended input voltage under high impedance input or open input	I _I = 10μA	V _{CC} - 10		V _{CC} + 10	mV
R _{INT}	Input termination resistance	V _{IN} = 2.9V	45	50	55	ohm
DDC I/O Pins (SCL, SCL_SINK, SDA, SDA_SINK)						
I _{lkg}	Input leakage current	V _I = 0.1V _{CC} to 0.9V _{CC} to isolated DDC ports		0.1	2	μA
C _{IO}	Input/output capacitance	V _I = 0V		7.5		pF
R _{ON}	Switch resistance	I _O = 3mA, V _O = 0.4V		25	50	ohm
V _{PASS}	Switch output voltage	V _I = 3.3V, I _I = 100μA	1.5 ⁽²⁾	2.0	2.5 ⁽³⁾	V
Status Pins (HPD)						
V _{OH(TTL)}	TTL High-level output voltage	I _{OH} = -8mA	2.4			V
V _{OL(TTL)}	TTL Low-level output voltage	I _{OH} = 8mA			0.4	V

(Table Continued)


Electrical Characteristics (Continued)

Symbol	Parameter	Test Conditions	Min.	Typ. ⁽¹⁾	Max.	Units
Control Pins (OC_Sx, EQ_Sx, S, \overline{OE})						
I _{IH}	High-level digital input current	V _{IH} = 2.0V or V _{CC}		0.1	2	μA
I _{IL}	Low-level digital input current	V _{IL} = GND or 0.8V		0.1	2	
Status Pins (HPD_SINK)						
I _{IH}	High-level digital input current	V _{IH} = 5.3V		23	100	μA
		V _{IH} = 2.0V or V _{CC}		0.1	2	
I _{IL}	Low-level digital input current	V _{IL} = GND or 0.8V		0.1	2	

Notes:

1. All typical values are at 25°C and with a 3.3V supply.
2. The value is tested in full temperature range at 3.0V.
3. The value is tested in full temperature range at 3.6V.



Switching Characteristics (over recommended operating conditions unless otherwise noted)

Symbol	Parameter	Test Conditions	Min.	Typ. ⁽¹⁾	Max.	Units
TMDS Differential Pins (Y/Z)						
t _{pd}	Propagation delay	V _{CC} = 3.3V, R _T = 50-ohm, pre-emphasis/de-emphasis = 0dB		2000		ps
t _r	Differential output signal rise time (20% - 80%)		75		240	
t _f	Differential output signal fall time (20% - 80%)		75		240	
t _{sk(p)}	Pulse skew			7	50	
t _{sk(D)}	Intra-pair differential skew			23	50	
t _{sk(o)}	Inter-pair differential skew ⁽²⁾				100	
t _{jit(pp)}	Peak-to-peak output jitter from Y/Z(1) residual jitter	pre-emphasis/de-emphasis = 0dB, Am/Bm = 1.65 Gbps HDMI data pat- tern, m = 2, 3, 4 A1/B1 = 165 MHz clock		15	30	
t _{jit(pp)}	Peak-to-peak output jitter from Y/Z(2:4) residual jitter			18	50	
t _{DE}	De-emphasis duration	de-emphasis = -3.5dB, Am/Bm = 250 Mbps HDMI data pattern, m = 2, 3, 4 A1/B1 = 25 MHz clock		240		
t _{sX}	Select to switch output			6	10	ns
t _{en}	Enable time			6	10	
t _{dis}	Disable time			6	10	
DDC I/O Pins (SCL, SCL_SINK, SDA, SDA_SINK)						
t _{pd(DDC)}	Propagation delay from SCLn to SCL_SINK or SDA _n to SDA_SINK or SDA_SINK to SDA _n	C _L = 10pF		0.4	2.5	ns
Control and Status Pins (OC_SX, EQ_SX, S, HPD_SINK, HPD)						
t _{pd(HPD)}	Propagation delay (from HPD_SINK to the active port of HPD)	C _L = 10pF		2	6.0	ns
t _{sx(HPD)}	Switch time (from port select to the lat- est valid status of HPD)			3	6.5	

Notes:

1. All typical values are at 25°C and with a 3.3V supply.
2. t_{sk(o)} is the magnitude of the difference in propagation delay times between any specified terminals of channel 2 to 4 of a device when inputs are tied together.



Application Information

Supply Voltage

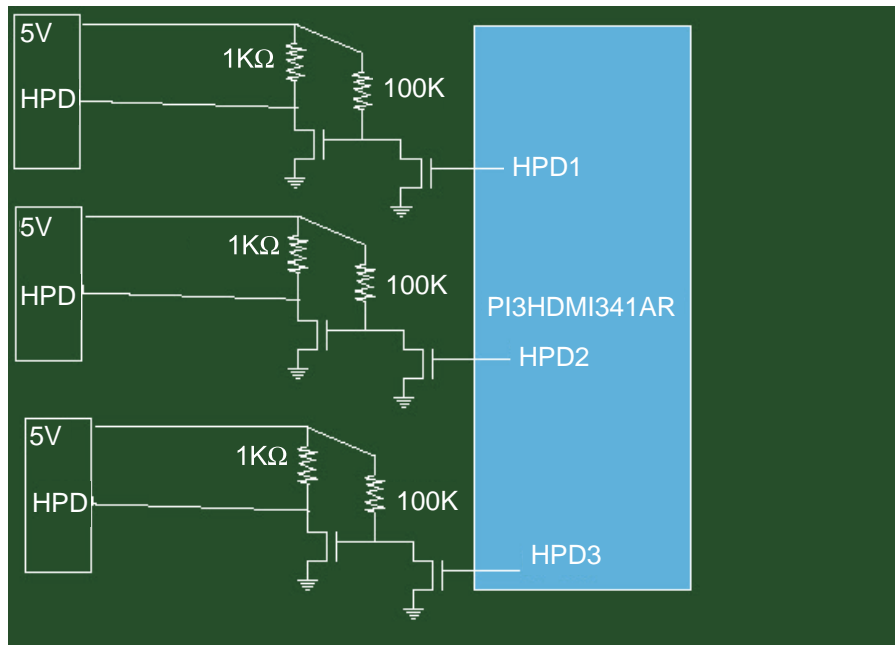
All V_{CC} pins are recommended to have a 0.01uF capacitor tied from V_{CC} to GND to filter supply noise

TMDs inputs

Standard TMDs terminations have already been integrated into Pericom’s PI3HDMI341AR device. Therefore, external terminations are not required. Any unused port must be left floating and not tied to GND.

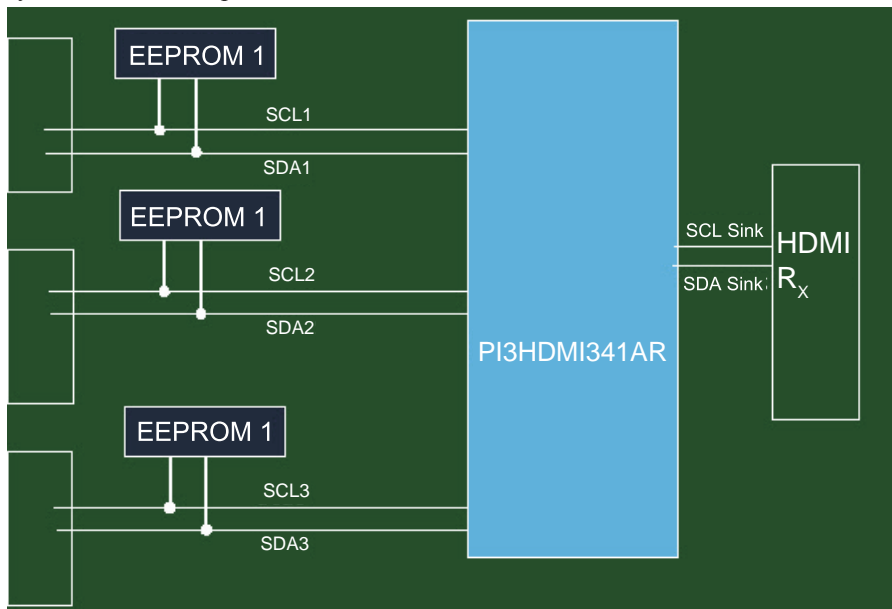
HPD Pins

The HPD pins on the PI3HDMI341AR require external pull down transistors to maintain a 0V signal when port is not selected, as follows:



SCL and SDA pins

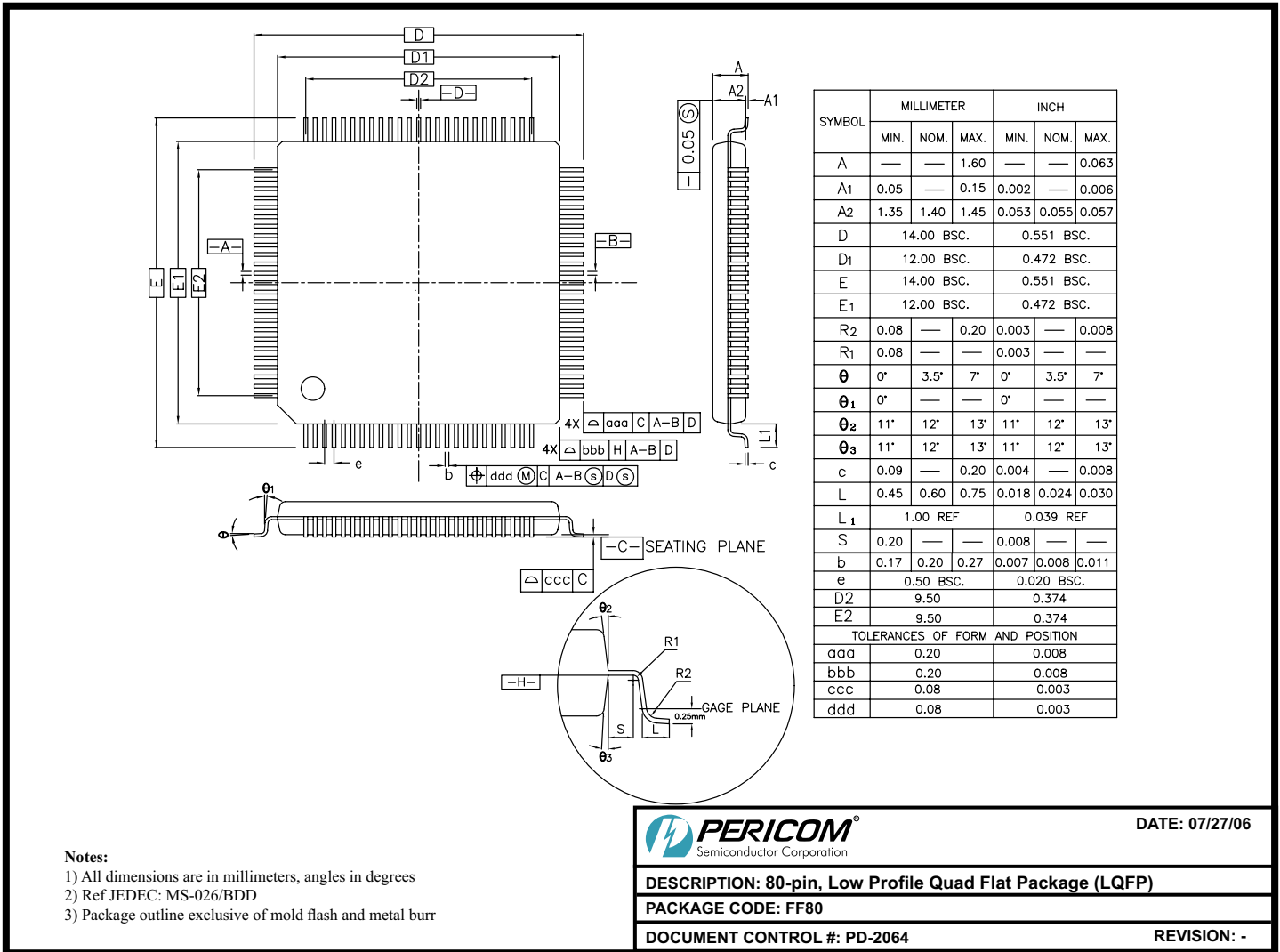
For EDID readability when the Sink is power off, 3 EEPROMs will be needed as follows



This architecture allows EDID readability when the DTV is power off or power on.



PI3HDMI341AR
3:1 Active HDMI 1.3 Compatible Switch with Optimized
Equalization for Enhanced Signal Integrity



- Notes:**
- 1) All dimensions are in millimeters, angles in degrees
 - 2) Ref JEDEC: MS-026/BDD
 - 3) Package outline exclusive of mold flash and metal burr

PERICOM
Semiconductor Corporation

DATE: 07/27/06

DESCRIPTION: 80-pin, Low Profile Quad Flat Package (LQFP)

PACKAGE CODE: FF80

DOCUMENT CONTROL #: PD-2064

REVISION: -

Ordering Information

Ordering Code	Package Code	Package Description
PI3HDMI341ARFFE	FF	80-pin, Pb-free & Green LQFP

- Notes:**
- Thermal characteristics can be found on the company web site at www.pericom.com/packaging/
 - E = Pb-free and Green
 - Adding an X Suffix = Tape/Reel