

## 280Mb/s Bi-directional Level Translator for Push-Pull Applications

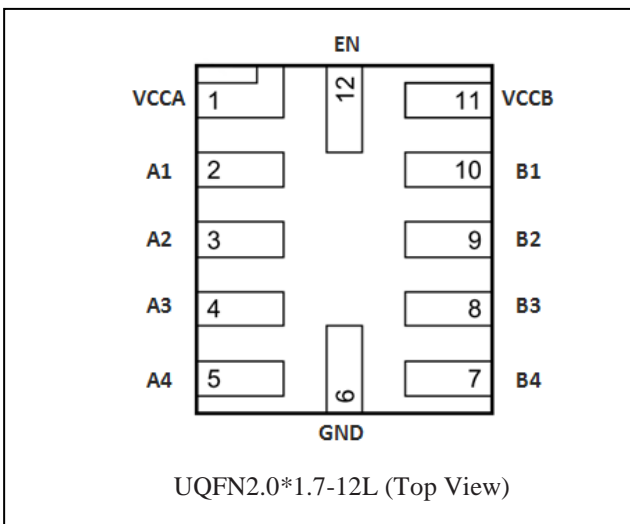
### Features

- 0.85V to 2.7V on A Port and 1.35V to 3.6V on B Port
- VCCA may be greater than, equal to, or less than VCCB
- High-Speed with 280 Mb/s Guaranteed Data Rate
- 30 pF Capacitive Drive Capability
- Low Bit-to-Bit Skew
- Overvoltage Tolerant Enable and I/O Pins
- Non-preferential Power-Up Sequencing
- Power-Off Protection
- Package: UQFN1.7x2.0-12L

### Applications

- Mobile Phones, PDAs
- Other Portable Devices

### Pin Configuration



### Description

The PI4ULS3V504 is a 4-bit configurable dual-supply autosensing bidirectional level translator that does not require a direction control pin. The B and A ports are designed to track two different power supply rails, VCCB and VCCA respectively.

The PI4ULS3V504 offers the feature that the values of the VCCB and VCCA supplies are independent. Design flexibility is maximized because VCCA can be set to a value either greater than or less than the VCCB supply.

The PI4ULS3V504 has high output current capability, which allows the translator to drive high capacitive loads such as most high frequency EMI filters. Another feature of the PI4ULS3V504 is that each An and Bn channel can function as either an input or an output.

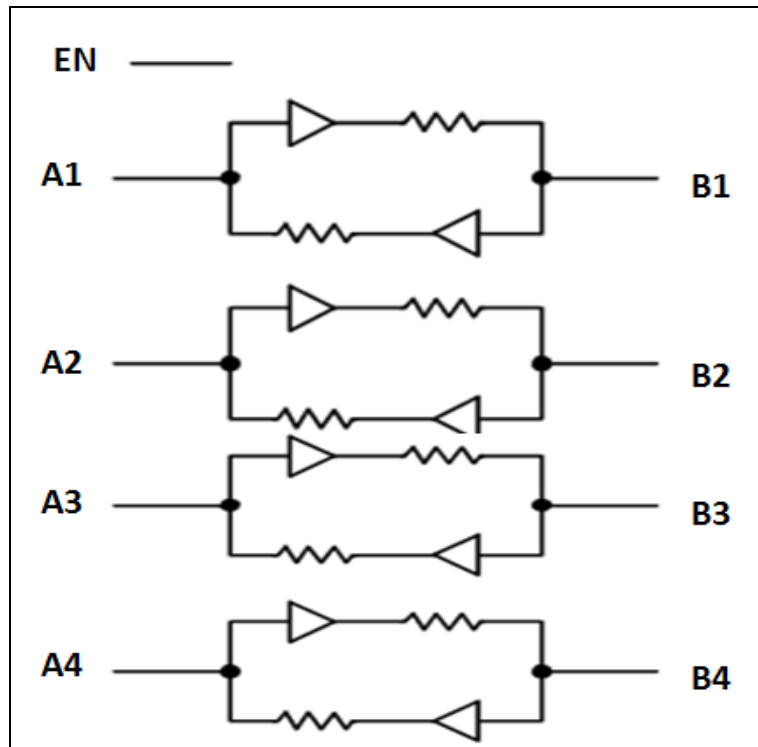
An Output Enable (EN) input is available to reduce the power consumption. The EN pin can be used to disable both I/O ports by putting them in 3-state which significantly reduces the supply current.

The PI4ULS3V504 is 2 kV System-Level ESD Capable.

### Pin Description

Pin No.	Pin Name	Type	Description
1	VCCA	Power	A-port supply voltage. $0.85\text{V} \leq VCCA \leq 2.7\text{V}$
2	A1	I/O	Input/output A. Referenced to VCCA.
3	A2	I/O	Input/output A. Referenced to VCCA.
4	A3	I/O	Input/output A. Referenced to VCCA.
5	A4	I/O	Input/output A. Referenced to VCCA.
6	GND	GND	Ground.
7	B4	I/O	Input/output B. Referenced to VCCB.
8	B3	I/O	Input/output B. Referenced to VCCB.
9	B2	I/O	Input/output B. Referenced to VCCB.
10	B1	I/O	Input/output B. Referenced to VCCB.
11	VCCB	Power	B-port supply voltage. $1.35\text{V} \leq VCCB \leq 3.6\text{V}$
12	EN	Input	Output enable (active High). Pull EN low to place all outputs in 3-state mode.

### Block Diagram



**Figure 1: Block Diagram**

### Maximum Ratings

Storage Temperature.....	-65°C to +150°C
DC Supply Voltage port B.....	-0.5V to +4.6V
DC Supply Voltage port A.....	-0.5V to +3.6V
Vi(A) referenced DC Input / Output Voltage.....	-0.5V to +3.6V
Vi(B) referenced DC Input / Output Voltage.....	-0.5V to +4.6V
Enable Control Pin DC Input Voltage.....	-0.5V to +3.6V
DC Input Diode Current (Vi < GND).....	-50mA
DC Output Diode Current (Vo < GND).....	-50mA
DC Supply Current through V <sub>CCB</sub> .....	±100mA
DC Supply Current through V <sub>CCA</sub> .....	±100mA
DC Ground Current through Ground Pin.....	±100mA

**Note:**

Stresses greater than those listed under MAXIMUM RATINGS may cause permanent damage to the device. This is a stress rating only and functional operation of the device at these or any other conditions above those indicated in the operational sections of this specification is not implied. Exposure to absolute maximum rating conditions for extended periods may affect reliability.

### Recommended operation conditions

Symbol	Parameter	Min	Typ	Max	Unit
V <sub>CCA</sub>	A-side Positive DC Supply Voltage	0.85	-	2.7	V
V <sub>CCB</sub>	B-side Positive DC Supply Voltage	1.35	-	3.6	V
V <sub>I</sub>	Enable Control Pin Voltage	GND	-	2.7	V
V <sub>IO</sub>	Bus Input/Output Pin Voltage	I/O A	GND	2.7	V
		I/O B	GND	3.6	V
T <sub>A</sub>	Operating Temperature Range	-40	-	+85	°C
At/Av	Input Transition Rise or Rate, V <sub>I</sub> , V <sub>IO</sub> from 30% to 70% of V <sub>CC</sub> ; V <sub>CC</sub> = 3.3 V ± 0.3 V	0	-	10	ns

### DC Electrical Characteristics

Sym	Parameter	Test Conditions *1	V <sub>CCB</sub> *2 (V)	V <sub>CCA</sub> *3 (V)	-40 °C to +85 °C			Unit
					Min	Typ *4	Max	
V <sub>IHB</sub>	B port Input HIGH Voltage	-	1.35-3.6	0.85-2.7	2/3*V <sub>CCB</sub>	-	-	V
V <sub>ILB</sub>	B port Input LOW Voltage	-	1.35-3.6	0.85-2.7	-	-	1/3*V <sub>CCB</sub>	V
V <sub>IHA</sub>	A port Input HIGH Voltage	-	1.35-3.6	0.85-2.7	2/3*V <sub>CCA</sub>	-	-	V
V <sub>ILA</sub>	A port Input LOW Voltage	-	1.35-3.6	0.85-2.7	-	-	1/3 *V <sub>CCA</sub>	V
V <sub>IH</sub> *5	Control Pin Input HIGH Voltage	T <sub>A</sub> = +25 °C	1.35-3.6	0.85-2.7	2/3*V <sub>CCA</sub>	-	-	V
V <sub>IL</sub> *5	Control Pin Input LOW Voltage	T <sub>A</sub> = +25 °C	1.35-3.6	0.85-2.7	-	-	1/3 *V <sub>CCA</sub>	V
V <sub>OHB</sub>	B port Output HIGH Voltage	B port source current = 20 μA	1.35-3.6	0.85-2.7	0.9*V <sub>CCB</sub>	-	-	V
V <sub>OLB</sub>	B port Output LOW Voltage	B port sink current = 20 μA	1.35-3.6	0.85-2.7	-	-	0.2	V
V <sub>OHA</sub>	A port Output HIGH Voltage	A port source current = 20 μA	1.35-3.6	0.85-2.7	0.9*V <sub>CCA</sub>	-	-	V
V <sub>OLA</sub>	A port Output LOW Voltage	A port sink current = 20 μA	1.35-3.6	0.85-2.7	-	-	0.2	V
I <sub>QVB</sub>	V <sub>CCB</sub> Supply Current	EN = V <sub>CCA</sub> , I <sub>O</sub> = 0A, (I/O_B = 0V or V <sub>CCB</sub> , I/O_A = float) or (I/O_B = float, I/O_A = 0V or V <sub>CCA</sub> )	1.35-3.6	0.85-2.7	-	0.2	1.5	μA
I <sub>QVA</sub>	V <sub>CCA</sub> Supply Current		1.35-3.6	0.85-2.7	-	0.1	1	μA
I <sub>TS-B</sub>	B port Tristate Output Mode Supply Current	T <sub>A</sub> = +25 °C, EN = 0V (I/O_B = 0V or V <sub>CCB</sub> , I/O_A = float) or (I/O_B = float, I/O_A = 0V or V <sub>CCA</sub> )	1.35-3.6	0.85-2.7	-	0.2	1.5	μA
I <sub>TS-A</sub>	A port Tristate Output Mode Supply Current		1.35-3.6	0.85-2.7	-	0.1	1	μA
I <sub>OZ</sub>	I/O Tristate Output Mode Leakage Current	T <sub>A</sub> = +25 °C, EN = 0V	1.35-3.6	0.85-2.7	-	-	±1	μA
I <sub>I</sub>	Control Pin Input Current	T <sub>A</sub> = +25 °C	1.35-3.6	0.85-2.7	-	-	±1	μA
I <sub>OFF</sub>	Power Off Leakage Current	I/O_B = 0 to 3.6V, I/O_A = 0 to 2.5V	0	0	-	-	2	μA
			1.35-3.6	0	-	-	2	
			0	0.85-2.7	-	-	2	

**Note:**

- Normal test conditions are V<sub>I</sub> = 0 V, C<sub>I<sub>O</sub>B</sub> ≤ 15 pF and C<sub>I<sub>O</sub>A</sub> ≤ 15 pF, unless otherwise specified.
- V<sub>CCB</sub> is the supply voltage associated with the I/O B port, and B ranges from +1.35V to 3.6V under normal operating conditions.
- V<sub>CCA</sub> is the supply voltage associated with the I/O A port, and A ranges from +0.85V to 2.7V under normal operating conditions.
- Typical values are for V<sub>CCB</sub> = +2.8V, V<sub>CCA</sub> = +1.8V and T<sub>A</sub> = +25 °C. All units are production tested at T<sub>A</sub> = +25 °C. Limits over the operating temperature range are guaranteed by design.
- When V<sub>CCA</sub> < 1.0V, V<sub>IH</sub> is 0.75\*V<sub>CCA</sub> (Min), V<sub>IL</sub> is 0.25\*V<sub>CCA</sub> (Max)

## AC Electrical characteristics

### Timing Characteristics

Symbol	Parameter	Test Conditions* <sup>1</sup>	V <sub>CCB</sub> (V)* <sup>2</sup>	V <sub>CCA</sub> (V)* <sup>3</sup>	-40 °C to +85 °C			Unit
					Min	Typ* <sup>4</sup>	Max	
t <sub>R-B</sub>	I/O B Rise Time	C <sub>IOB</sub> = 15 pF	1.35 - 3.6	0.85 - 2.7	-	3	8	ns
			2.5 - 3.6	0.85 - 2.7	-	0.8	4	
t <sub>F-B</sub>	I/O B Fall Time	C <sub>IOB</sub> = 15 pF	1.35 - 3.6	0.85 - 2.7	-	0.6	3	ns
			2.5 - 3.6	0.85 - 2.7	-	0.5	3	
t <sub>R-A</sub>	I/O A Rise Time	C <sub>IOA</sub> = 15 pF	1.35 - 3.6	0.85 - 2.7	-	4	12	ns
			1.35 - 3.6	1.8 - 2.7	-	0.7	4	
t <sub>F-A</sub>	I/O A Fall Time	C <sub>IOA</sub> = 15 pF	1.35 - 3.6	0.85 - 2.7	-	0.8	4	ns
			1.35 - 3.6	1.8 - 2.7	-	0.5	3	
Z <sub>OB</sub>	I/O B One-Shot Output Impedance	* <sup>5</sup>	1.5 2.5 3.6	0.9 - 2.5	-	37 20 15	- - -	Ω
Z <sub>OA</sub>	I/O A One-Shot Output Impedance	* <sup>5</sup>	1.5 - 3.3	1.5 1.8 3.6	-	52 17 15	- - -	Ω
t <sub>PD_A-B</sub>	Propagation Delay (Driving I/O B)	C <sub>IOB</sub> = 15 pF	1.35 - 3.6	0.85 - 2.7	-	9.8	35	ns
			2.5 - 3.6	1.8 - 2.7	-	2.3	10	
		C <sub>IOB</sub> = 30 pF	1.35 - 3.6	0.85 - 2.7	-	10	35	
			2.5 - 3.6	1.8 - 2.7	-	2.5	10	
t <sub>PD_B-A</sub>	Propagation Delay (Driving I/O AL)	C <sub>IOA</sub> = 15 pF	1.35 - 3.6	0.85 - 2.7	-	9.4	35	ns
			2.5 - 3.6	1.8 - 2.7	-	1.6	10	
		C <sub>IOA</sub> = 30 pF	1.35 - 3.6	0.85 - 2.7	-	9.6	35	
			2.5 - 3.6	1.8 - 2.7	-	1.8	10	
t <sub>SK</sub>	Channel-to-Channel Skew	C <sub>IOB</sub> = 15 pF, C <sub>IOA</sub> = 15 pF* <sup>5</sup>	1.35 - 3.6	0.85 - 2.7	-	-	0.15	ns
t <sub>EN-B</sub> (t <sub>PZH</sub> )	I/O_B Output Enable Time	C <sub>IOB</sub> = 15pF, I/O_A = V <sub>CCA</sub>	1.35 - 3.6	0.85 - 2.7	-	120	250	ns
			2.5 - 3.6	1.8 - 2.7	-	40	160	ns
t <sub>EN-B</sub> (t <sub>PZL</sub> )	I/O_B Output Enable Time	C <sub>IOB</sub> = 15pF, I/O_A = 0V	1.35 - 3.6	0.85 - 2.7	-	80	200	ns
			2.5 - 3.6	1.8 - 2.7	-	40	160	ns
t <sub>EN-A</sub> (t <sub>PZH</sub> )	I/O_A Output Enable Time	C <sub>IOA</sub> = 15pF, I/O_B = V <sub>CCB</sub>	1.35 - 3.6	0.85 - 2.7	-	120	250	ns
			2.5 - 3.6	1.8 - 2.7	-	40	160	ns
t <sub>EN-A</sub> (t <sub>PZL</sub> )	I/O_A Output Enable Time	C <sub>IOA</sub> = 15pF, I/O_B = 0V	1.35 - 3.6	0.85 - 2.7	-	50	200	ns
			2.5 - 3.6	1.8 - 2.7	-	30	160	ns
t <sub>DIS-B</sub> (t <sub>PHZ</sub> )	I/O_B Output Disable Time	C <sub>IOB</sub> = 15pF, I/O_A = V <sub>CCA</sub>	1.35 - 3.6	0.85 - 2.7	-	200	400	ns
			2.5 - 3.6	1.8 - 2.7	-	200	400	ns
t <sub>DIS-B</sub> (t <sub>PLZ</sub> )	I/O_B Output Disable Time	C <sub>IOB</sub> = 15pF, I/O_A = 0V	1.35 - 3.6	0.85 - 2.7	-	60	175	ns
			2.5 - 3.6	1.8 - 2.7	-	60	175	ns
t <sub>DIS-A</sub> (t <sub>PHZ</sub> )	I/O_A Output Disable Time	C <sub>IOA</sub> = 15pF, I/O_B = V <sub>CCB</sub>	1.35 - 3.6	0.85 - 2.7	-	180	400	ns
			2.5 - 3.6	1.8 - 2.7	-	100	400	ns
t <sub>DIS-A</sub> (t <sub>PLZ</sub> )	I/O_A Output Disable Time	C <sub>IOA</sub> = 15pF, I/O_B = 0V	1.35 - 3.6	0.85 - 2.7	-	50	175	ns
			2.5 - 3.6	1.8 - 2.7	-	50	175	ns
MDR	Maximum Data Rate	C <sub>IO</sub> = 15pF	1.35 - 3.6	0.85 - 2.7	133	-	-	mbps
			2.5 - 3.6	1.8 - 2.7	280	-	-	mbps
		C <sub>IO</sub> = 30pF	1.35 - 3.6	0.85 - 2.7	80	-	-	mbps
			2.5 - 3.6	1.8 - 2.7	200	-	-	mbps

#### Notes:

1. Normal test conditions are V<sub>I</sub> = 0 V, C<sub>IOB</sub> ≤ 15 pF and C<sub>IOA</sub> ≤ 15 pF, unless otherwise specified.
2. V<sub>CCB</sub> is the supply voltage associated with the I/O B port, and B ranges from +1.35 V to 3.6V under normal operating conditions.
3. V<sub>CCA</sub> is the supply voltage associated with the I/O A port, and A ranges from +0.85 V to 2.7V under normal operating conditions.
4. Typical values are tested at T<sub>A</sub> = +25 °C. Limits over the operating temperature range are guaranteed by design.
5. Guaranteed by design.

**Power Consumption** ( $T_A = 25\text{ }^\circ\text{C}$ )

Symbol <sup>*1</sup>	Parameter	Test Conditions	V <sub>CCB</sub> (V) <sup>*2</sup>	V <sub>CCA</sub> (V) <sup>*3</sup>	Typ <sup>*4</sup>	Unit
C <sub>PD_VCCA</sub>	A = Input port, B = Output Port	C <sub>Load</sub> = 0, f = 1MHz, EN = V <sub>CCA</sub> (outputs enabled)	1.35 - 3.6	0.85 - 2.7	40	pF
	B = Input port, A = Output Port	C <sub>Load</sub> = 0, f = 1MHz, EN = V <sub>CCA</sub> (outputs enabled)	1.35 - 3.6	0.85 - 2.7	40	pF
C <sub>PD_VCCB</sub>	A = Input port, B = Output Port	C <sub>Load</sub> = 0, f = 1MHz, EN = V <sub>CCA</sub> (outputs enabled)	1.35 - 3.6	0.85 - 2.7	40	pF
	B = Input port, A = Output Port	C <sub>Load</sub> = 0, f = 1MHz, EN = V <sub>CCA</sub> (outputs enabled)	1.35 - 3.6	0.85 - 2.7	40	pF
C <sub>PD_VCCA</sub>	A = Input port, B = Output Port	C <sub>Load</sub> = 0, f = 1MHz, EN = GND (outputs disabled)	1.35 - 3.6	0.85 - 2.7	1	pF
	B = Input port, A = Output Port	C <sub>Load</sub> = 0, f = 1MHz, EN = GND (outputs disabled)	1.35 - 3.6	0.85 - 2.7	1	pF
C <sub>PD_VCCB</sub>	A = Input port, B = Output Port	C <sub>Load</sub> = 0, f = 1MHz, EN = GND (outputs disabled)	1.35 - 3.6	0.85 - 2.7	1	pF
	B = Input port, A = Output Port	C <sub>Load</sub> = 0, f = 1MHz, EN = GND (outputs disabled)	1.35 - 3.6	0.85 - 2.7	1	pF

**Notes:**

1. C<sub>PD\_VCCA</sub> and C<sub>PD\_VCCB</sub> are defined as the value of the IC's equivalent capacitance from which the operating current can be calculated for the A and B power supplies, respectively.  $I_{CC} = I_{CC}(\text{dynamic}) + I_{CC}(\text{static}) \approx I_{CC}(\text{operating}) \approx CPD \times VCC \times f_{IN} \times N_{SW}$  where  $I_{CC} = I_{CC\_VCCB} + I_{CC\_VCCA}$  and  $N_{SW}$  = total number of outputs switching.
2. V<sub>CCB</sub> is the supply voltage associated with the I/O B port, and V<sub>CCB</sub> ranges from +1.35V to 3.6V under normal operating conditions.
3. V<sub>CCA</sub> is the supply voltage associated with the I/O A port, and V<sub>CCA</sub> ranges from +0.8 V to 2.7V under normal operating conditions.
4. Typical values are at T<sub>A</sub> = +25 °C. Limits over the operating temperature range are guaranteed by design.

Test Circuits

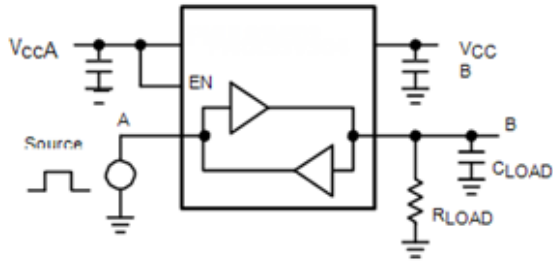


Figure 2. Driving A Test Circuit

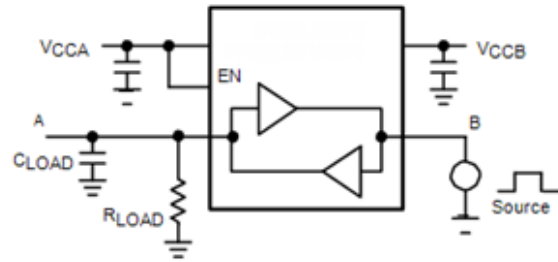


Figure 3. Driving B Test Circuit

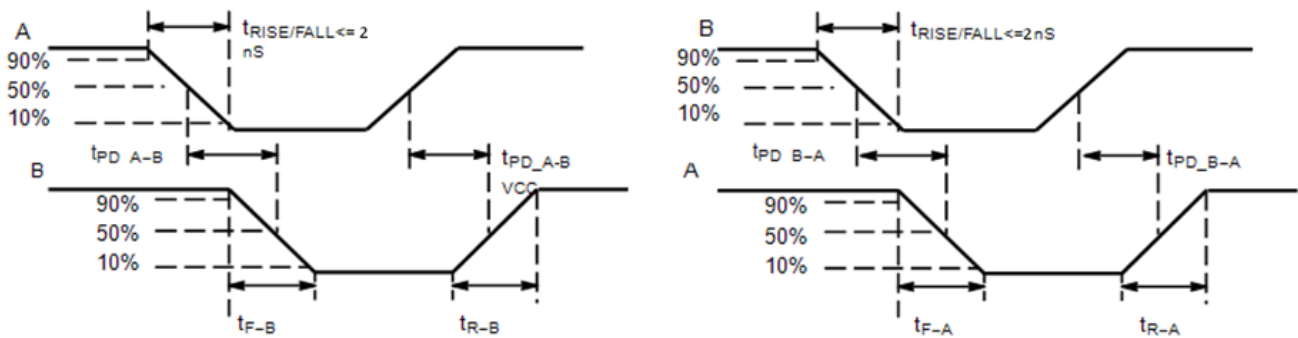
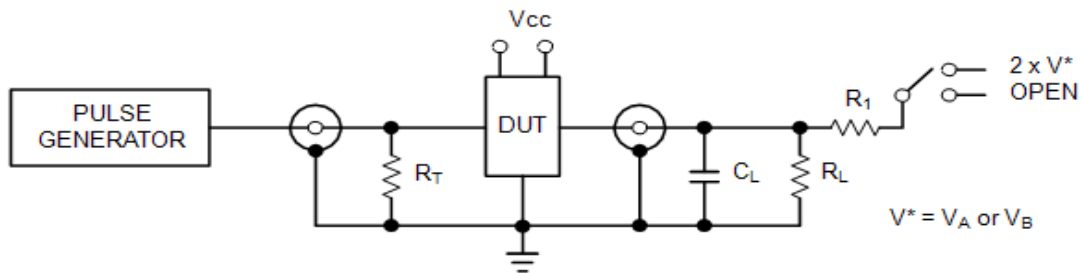


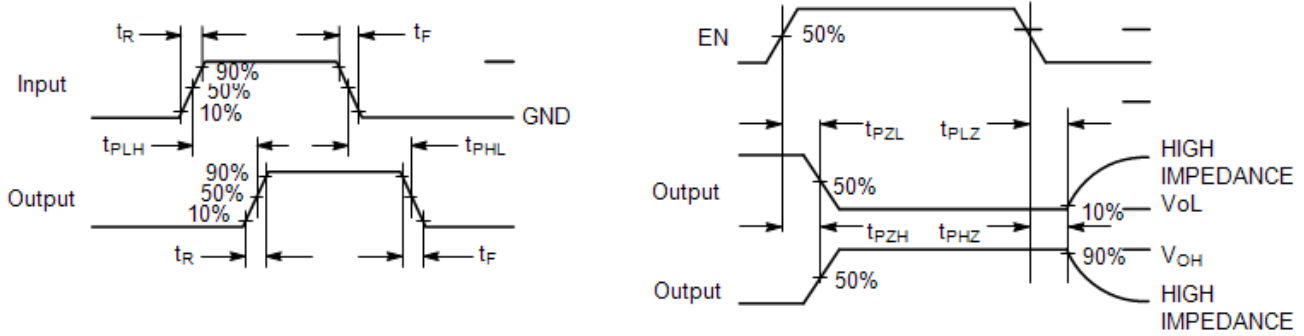
Figure 4. Definition of Timing Specification Parameters



Test	Switch
$t_{PZH}, t_{PHZ}$	Open
$t_{PZL}, t_{PLZ}$	$2 \times V^*$

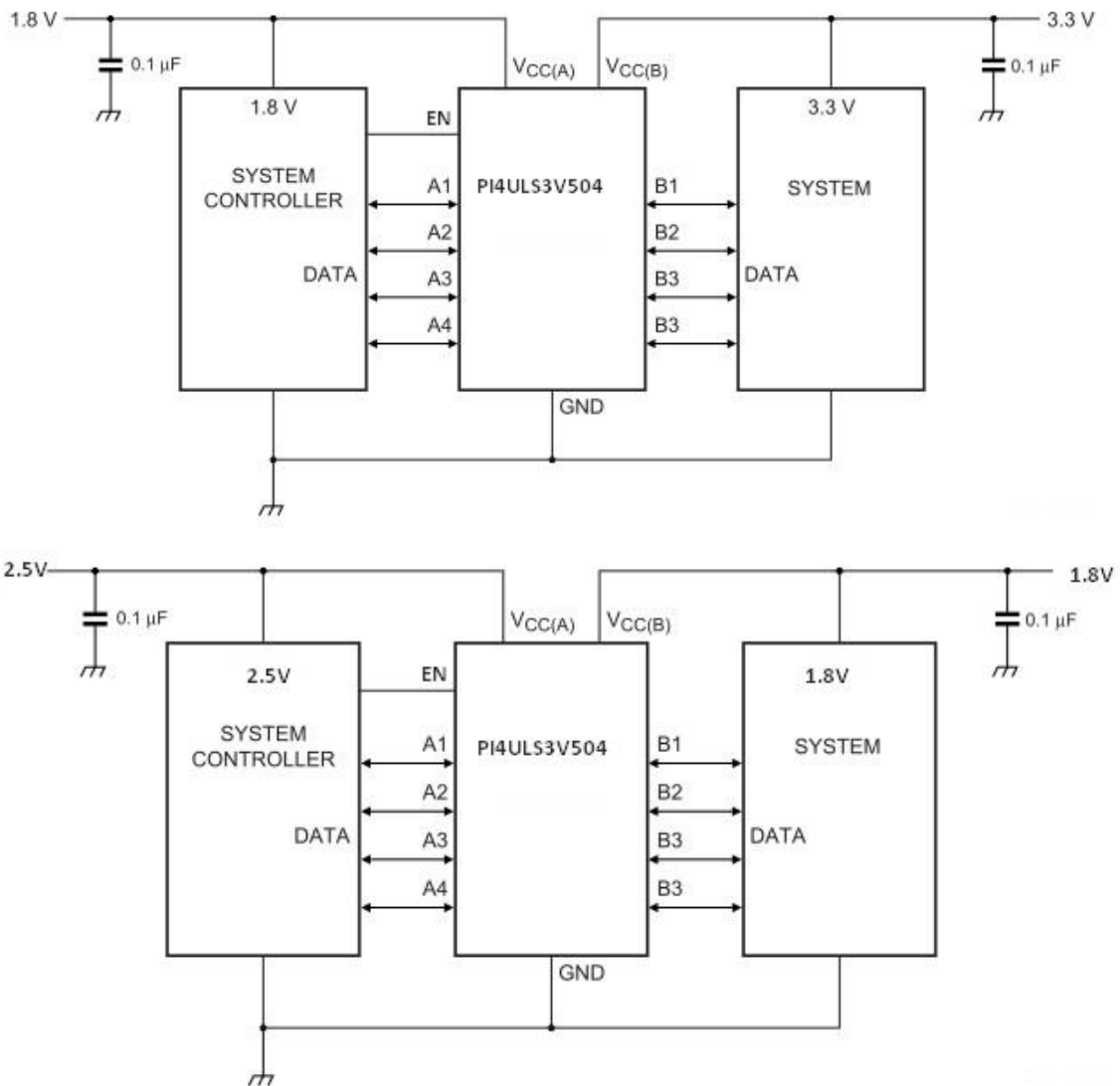
$C_L = 15 \text{ pF}$  or equivalent (Includes jig and probe capacitance)  
 $R_L = R_1 = 50 \text{ k}\Omega$  or equivalent  
 $R_T = Z_{OUT}$  of pulse generator (typically  $50 \Omega$ )  
 $V^* = V_A$  or  $V_B$  for A or B measurements, respectively.

Figure 5. Test Circuit for Enable/Disable Time Measurement



**Figure 6. Timing Definitions for Propagation Delays and Enable/Disable Measurement**

### Typical Applications



## Functional Description

The PI4ULS3V504 is a 4-bit configurable dual-supply autosensing bidirectional level translator that does not require a direction control pin. The B and A ports are designed to track two different power supply rails, VCCB and VCCA respectively.

The PI4ULS3V504 offers the feature that the values of the VCCB and VCCA supplies are independent. Design flexibility is maximized because VCCA can be set to a value either greater than or less than the VCCB supply.

The PI4ULS3V504 has high output current capability, which allows the translator to drive high capacitive loads such as most high frequency EMI filters. Another feature of the PI4ULS3V504 is that each An and Bn channel can function as either an input or an output.

An Output Enable (EN) input is available to reduce the power consumption. The EN pin can be used to disable both I/O ports by putting them in 3-state which significantly reduces the supply current.

## Application Information

### Level Translator Architecture

The PI4ULS3V504 auto-sense translator provides bi-directional logic voltage level shifting to transfer data in multiple supply voltage systems. These level translators have two supply voltages, V<sub>CCA</sub> and V<sub>CCB</sub>, which set the logic levels on the input and output sides of the translator. When used to transfer data from the I/O VCCA to the I/O VCCB ports, input signals referenced to the VCCA supply are translated to output signals with a logic level matched to VCCB. In a similar manner, the I/O VCCB to I/O VCCA translation shifts input signals with a logic level compatible to VCCB to an output signal matched to VCCA. The PI4ULS3V504 translator consists of bi-directional channels that independently determine the direction of the data flow without requiring a directional pin. One-shot circuits are used to detect the rising or falling input signals. In addition, the one-shots decrease the rise and fall times of the output signal for high-to-low and low-to-high transitions.

### Input Driver Requirements

Auto-sense translators such as the PI4ULS3V504 have a wide bandwidth, but a relatively small DC output current rating. The high bandwidth of the bi-directional I/O circuit is used to quickly transform from an input to an output driver and vice versa. The I/O ports have a modest DC current output specification so that the output driver can be over driven when data is sent in the opposite direction. For proper operation, the input driver to the auto-sense translator should be capable of driving 3mA of peak output current. The bi-directional configuration of the translator results in both input stages being active for a very short time period. Although the peak current from the input signal circuit is relatively large, the average current is small and consistent with a standard CMOS input stage. Enable Input (EN) The PI4ULS3V504 translator has an Enable pin (EN) that provides tri-state operation at the I/O pins. Driving the Enable pin to a low logic level minimizes the power consumption of the device and drives the I/O VCCB and I/O VCCA pins to a high impedance state. Normal translation operation occurs when the EN pin is equal to a logic high signal. The EN pin is referenced to the VCCA supply and has Over-Voltage Tolerant (OVT) protection.

### Uni-Directional versus Bi-Directional Translation

The PI4ULS3V504 translator can function as a non-inverting uni-directional translator. One advantage of using the translator as a uni-directional device is that each I/O pin can be configured as either an input or output. The configurable input or output feature is especially useful in applications such as SPI that use multiple uni-directional I/O lines to send data to and from a device. The flexible I/O port of the auto sense translator simplifies the trace connections on the PCB.

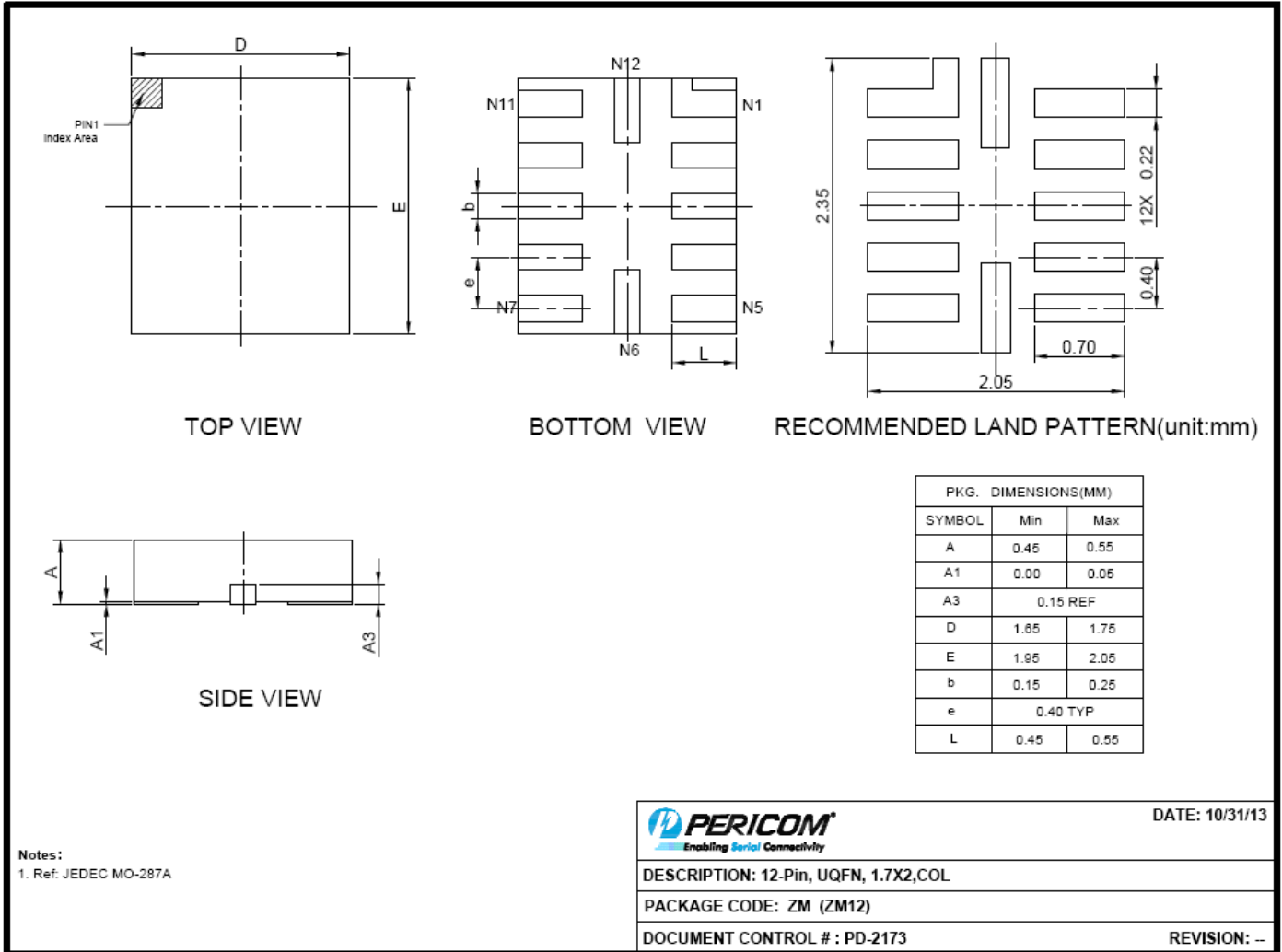
### Power Supply Guidelines

The values of the VCCA and VCCB supplies can be set to anywhere in range 0.85-2.7V and 1.35-3.6V. Design flexibility is maximized because VCCA may be either greater than or less than the VCCB supply. In contrast, the majority of the competitive auto sense translators have a restriction that the value of the VCCA supply must be equal to less than (VCCB - 0.4) V. The sequencing of the power supplies will not damage the device during power-up operation. In addition, the I/O VCCB and I/O VCCA pins are in the high impedance state if either supply voltage is equal to 0V. For optimal performance, 0.01 to 0.1 $\mu$ F decoupling capacitors should be used on the VCCA and VCCB power supply pins. Ceramic capacitors are a good design choice to filter and bypass any noise signals on the voltage lines to the ground plane of the PCB. The noise immunity will be maximized by placing the capacitors as close as possible to the supply and ground pins, along with minimizing the PCB connection traces. The PI4ULS3V504 translators have a power down feature that provides design flexibility. The output ports are disabled when either power supply is off (VCCA or VCCB = 0V). This feature causes all of the I/O pins to be in the power saving high impedance state.



## Mechanical Information

UQFN1.7x2.0-12L



## Ordering Information

Part No.	Package Code	Package
PI4ULS3V504ZME	ZM	Lead free and Green 12-pin UQFN1.7x2.0

**Note:**

- E = Pb-free and Green
- Adding X Suffix= Tape/Reel

Pericom Semiconductor Corporation • 1-800-435-2336 • [www.pericom.com](http://www.pericom.com)

Pericom reserves the right to make changes to its products or specifications at any time, without notice, in order to improve design or performance and to supply the best possible product. Pericom does not assume any responsibility for use of any circuitry described other than the circuitry embodied in Pericom product. The company makes no representations that circuitry described herein is free from patent infringement or other rights, of Pericom.