

### Features

- Two differential LVDS output pairs
- Selectable crystal oscillator interface or LVCMOS/LVTTL single-ended clock input
- Supports the following output frequencies: 62.5MHz, 125MHz, 156.25MHz
- RMS phase jitter @ 156.25MHz, using a 25MHz crystal (1.875MHz – 20MHz): 0.2ps (typical)
- RMS phase jitter @ 156.25MHz, using a 25MHz crystal (12kHz – 20MHz): 0.32ps (typical)
- Full 3.3V or 2.5V supply modes
- Commercial and industrial ambient operating temperature
- Available in lead-free package: 20-TSSOP

### Description

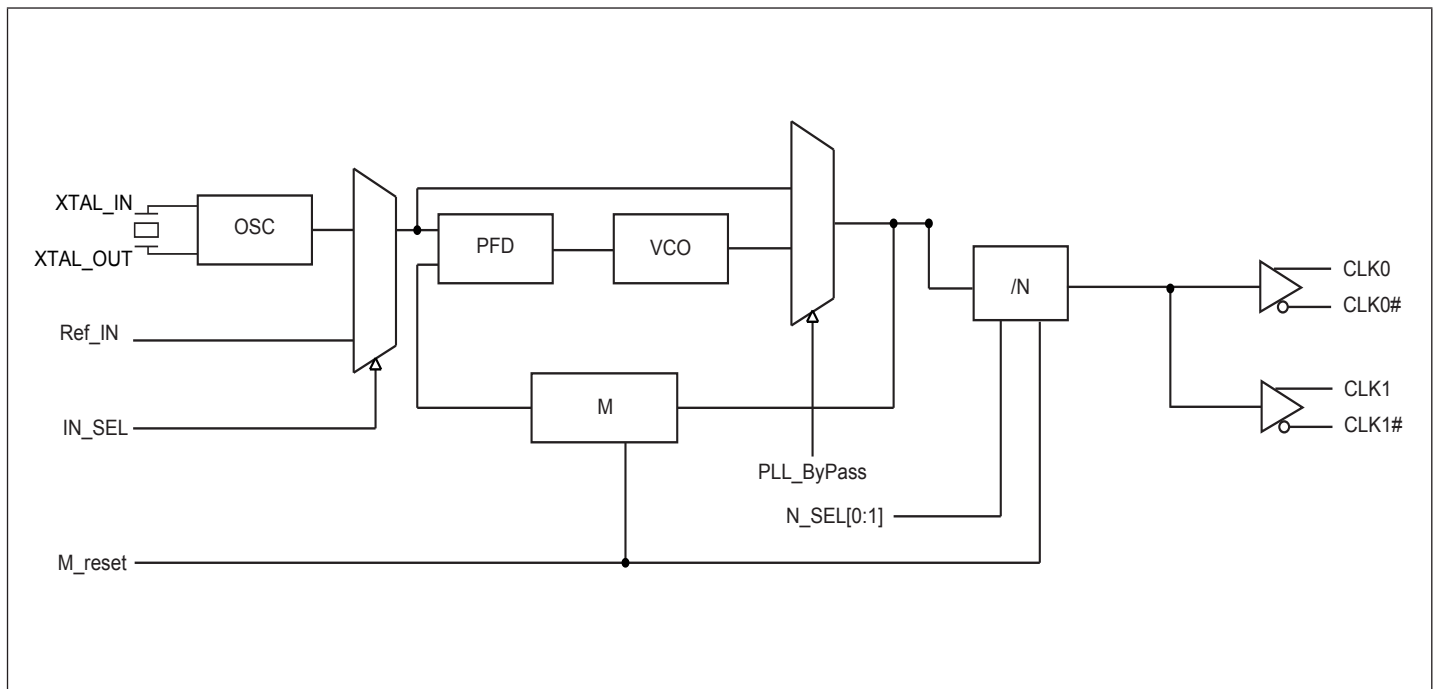
The PI6LC48L0201 is a 2-output LVDS synthesizer optimized to generate Ethernet reference clock frequencies and is a member of Pericom's HiFlex family of high performance clock solutions. Using a 25MHz crystal, the most popular Ethernet frequencies can be generated based on the settings of 2 frequency select pins.

The PI6LC48L0201 uses Pericom's proprietary low phase noise PLL technology to achieve ultra low phase jitter, so it is ideal for Ethernet interface in all kind of systems.

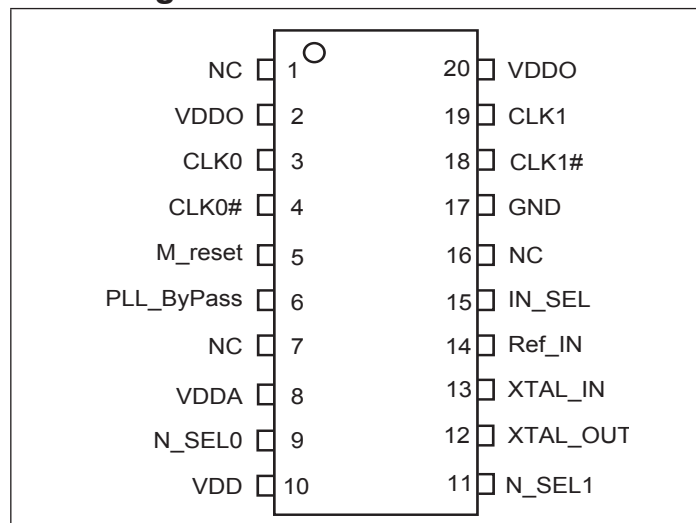
### Applications

- Networking systems

### Block Diagram



### Pin Configuration



### Pinout Table

Pin No.	Pin Name	I/O Type		Description
1, 7, 16	NC			No connection
2, 20	VDDO	Power	-	Output Power Supply
3, 4	CLK0, CLK0#	Output	-	LVDS Output clock 0
5	M_reset	Input	Pull-down	Master reset. "1", CLK0CLK1 go to "low", CLK0#/CLK1# go to "high"; "0" outputs are enabled
6	PLL_ByPass	Input	Pull-down	PLL bypass select. "0" PLL is enabled, "1" PLL is bypassed
8	VDDA	Power	-	Analog Power Supply
9, 11	N_SEL0, N_SEL1	Input	Pull-down	Output frequency select
10	VDD	Power	-	Core Power Supply
12, 13	XTAL_OUT, XTAL_IN	Crystal	-	Crystal input and output
14	Ref_IN	Input	Pull-down	CMOS reference clock input
15	IN_SEL	Input	Pull-down	"0" selects Crystal, "1" selects reference input
17	GND	Ground	-	Ground
18, 19	CLK1#, CLK1	Output	-	LVDS Output clock 1

### Output Frequency Selection Table

Xtal Frequency	N_SEL1 N_SEL0	Output Frequency
25	00	156.25
	01	125
	10	62.5
	11	Reserved

### Typical Crystal Requirement

Parameter	Minimum	Typical	Maximum	Units
Mode of Oscillation	Fundamental			
Frequency	22.4	25	27.2	MHz
Equivalent Series Resistance (ESR)			50	$\Omega$
Shunt Capacitance			7	pF
Drive Level			1	mW

### Recommended Crystal Specification

Pericom recommends:

- a) FL2500047, SMD 3.2x2.5(4P), 25MHz, CL=18pF, +/-20ppm, <http://www.pericom.com/pdf/datasheets/se/FL.pdf>
- b) FY2500091, SMD 5x3.2(4P), 25MHz, CL=18pF, +/-30ppm, [http://www.pericom.com/pdf/datasheets/se/FY\\_F9.pdf](http://www.pericom.com/pdf/datasheets/se/FY_F9.pdf)

**Maximum Ratings** (Over operating free-air temperature range)

Storage Temperature.....	-65°C to +155°C
Ambient Temperature with Power Applied.....	-40°C to +85°C
3.3V Analog Supply Voltage.....	-0.5 to +3.6V
ESD Protection (HBM) .....	2000V

**Note:**

Stresses greater than those listed under MAXIMUM RATINGS may cause permanent damage to the device. This is a stress rating only and functional operation of the device at these or any other conditions above those indicated in the operational sections of this specification is not implied. Exposure to absolute maximum rating conditions for extended periods may affect reliability.

**DC Electrical Characteristics**
**Power Supply DC Characteristics, (T<sub>A</sub> = -40°C to 85°C)**

Symbol	Parameter	Condition	Min	Typ	Max	Units
V <sub>DD</sub> , V <sub>DDA</sub> , V <sub>DDO</sub>	Core Supply Voltage		3.135	3.3	3.465	V
V <sub>DD</sub> , V <sub>DDA</sub> , V <sub>DDO</sub>	Analog Supply Voltage		2.375	2.5	2.625	V
I <sub>DD</sub>	Power Supply Current	V <sub>DD</sub> =V <sub>DDA</sub> = V <sub>DDO</sub> = 3.3V +/-5%			105	mA
		V <sub>DD</sub> =V <sub>DDA</sub> = V <sub>DDO</sub> = 2.5V +/-5%			98	
I <sub>DDA</sub>	Analog Supply Current	V <sub>DD</sub> =V <sub>DDA</sub> = V <sub>DDO</sub> = 3.3V +/-5%			26	mA
		V <sub>DD</sub> =V <sub>DDA</sub> = V <sub>DDO</sub> = 2.5V +/-5%			26	
I <sub>DDO</sub>	Output Supply Current	V <sub>DD</sub> =V <sub>DDA</sub> = V <sub>DDO</sub> = 3.3V +/-5%			55	mA
		V <sub>DD</sub> =V <sub>DDA</sub> = V <sub>DDO</sub> = 2.5V +/-5%			55	

**LVC MOS/LVTTL DC Characteristics, (T<sub>A</sub> = -40°C to 85°C)**

Symbol	Parameter	Condition	Min	Typ	Max	Units
V <sub>IH</sub>	Input High Voltage	V <sub>DD</sub> = 3.3 V +/- 5%	2		V <sub>DD</sub> + 0.3	V
		V <sub>DD</sub> = 2.5 V +/- 5%	1.7		V <sub>DD</sub> + 0.3	V
V <sub>IL</sub>	Input Low Voltage	V <sub>DD</sub> = 3.3 V +/- 5%	-0.3		0.8	V
		V <sub>DD</sub> = 2.5 V +/- 5%	-0.3		0.7	V
I <sub>IH</sub>	Input High Current	M_reset, PLL_ByPass, N_SEL[0:1], IN_SEL, Ref_IN V <sub>DD</sub> = V <sub>IN</sub> = 3.465V			150	μA
I <sub>IL</sub>	Input Low Current	M_reset, PLL_ByPass, N_SEL[0:1], IN_SEL, Ref_IN V <sub>DD</sub> = 3.465V, V <sub>IN</sub> = 0V	-5			μA

**Pin Characteristics**

Symbol	Parameter	Condition	Min	Typ	Max	Units
C <sub>IN</sub>	Input Capacitance			4		pF
R <sub>PULLDOWNN</sub>	Pull down resistor			51		kΩ

**LVDS DC Characteristics, ( $T_A = -40^{\circ}\text{C}$  to  $85^{\circ}\text{C}$ )**

Symbol	Parameter	Condition	Min	Typ	Max	Units
V <sub>OD</sub>	Differential Output Voltage	V <sub>DD</sub> = 3.3V	247		454	mV
		V <sub>DD</sub> = 2.5V	247		454	
ΔV <sub>OD</sub>	Change of V <sub>OD</sub>	V <sub>DD</sub> = 3.5V		50		mV
		V <sub>DD</sub> = 2.5V		50		
V <sub>OS</sub>	Output Offset Voltage	V <sub>DD</sub> = 3.3V	1.125		1.375	V
		V <sub>DD</sub> = 2.5V	1.125		1.375	
ΔV <sub>OS</sub>	Change of V <sub>OS</sub>	V <sub>DD</sub> = 3.5V		50		mV
		V <sub>DD</sub> = 2.5V		50		

**AC Electrical Characteristics, ( $T_A = -40^{\circ}\text{C}$  to  $85^{\circ}\text{C}$ )**

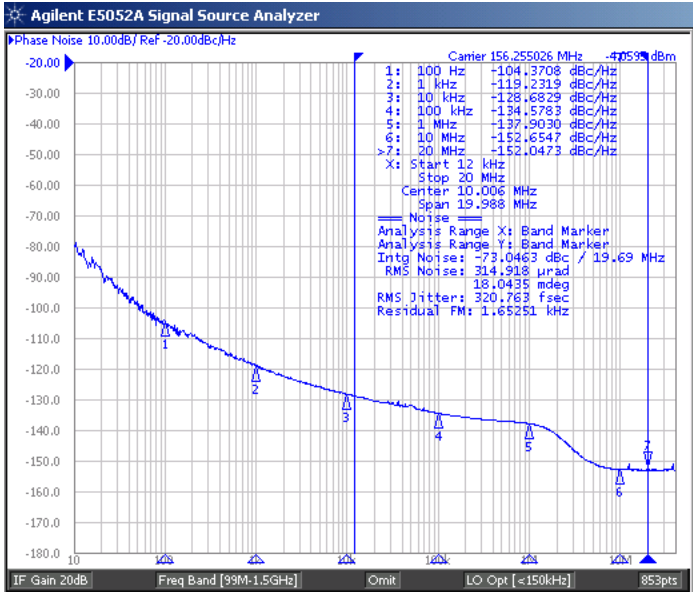
Symbol	Parameter	Condition	Min.	Typ.	Max	Units
f <sub>OUT</sub>	Output Frequency	N_SEL[1:0] = 00	140		170	MHz
		N_SEL[1:0] = 01	112		136	MHz
		N_SEL[1:0] = 10	56		68	MHz
t <sub>sk(o)</sub>	Output Skew <sup>(1, 3)</sup>	Outputs @ same loading		50		ps
t <sub>jit(∅)</sub>	RMS Phase Jitter, (Random) <sup>(2)</sup>	156.25MHz, (1.875MHz - 20MHz)		0.2		ps
		156.25MHz, (12kHz - 20MHz)		0.32		ps
		125MHz, (1.875MHz - 20MHz)		0.2		ps
		125MHz, (12kHz - 20MHz)		0.31		ps
		62.5MHz, (1.875MHz - 20MHz)		0.4		ps
		62.5MHz, (12kHz - 20MHz)		0.5		ps
t <sub>R</sub> / t <sub>F</sub>	Output Rise/Fall Time	20% to 80%			400	ps
odc	Output Duty Cycle		48		52	%

**Note:**

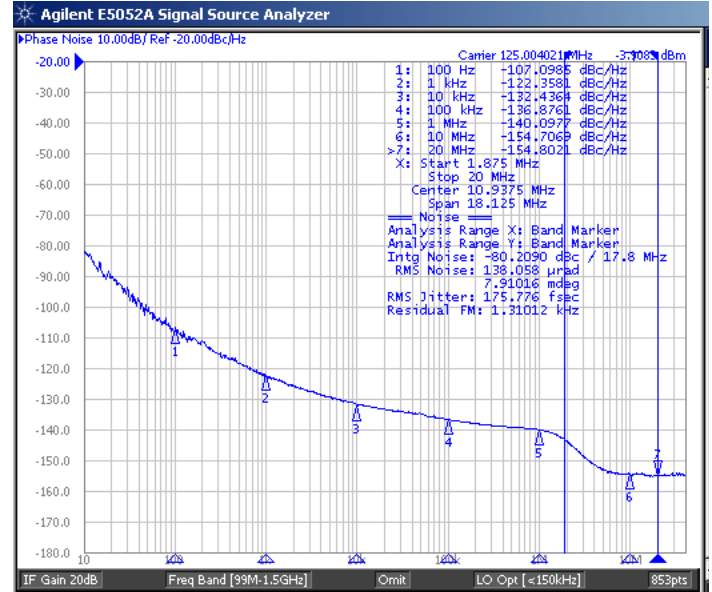
1. Defined as skew within a bank of outputs at the same supply voltage and with equal load conditions. Measured at the differential cross points.
2. Please refer to the Phase Noise Plots.
3. This parameter is defined in accordance with JEDEC Standard 65.

**Phase Noise Plots**

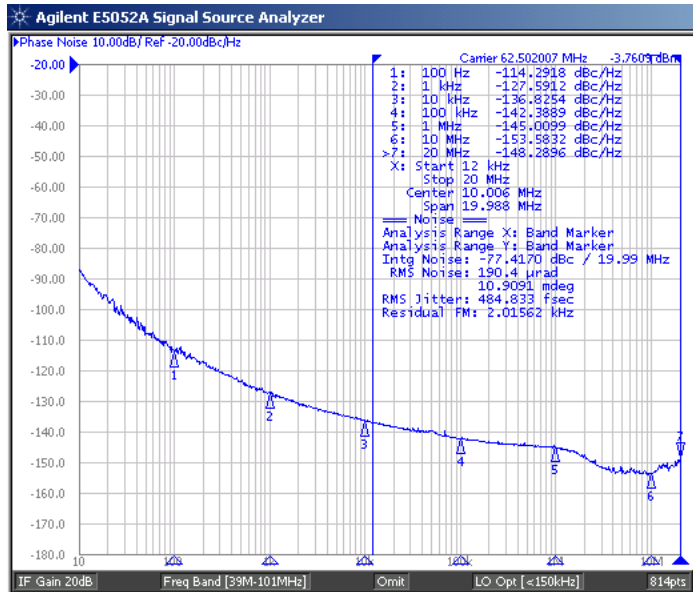
$f_{OUT} = 156.25\text{MHz}$



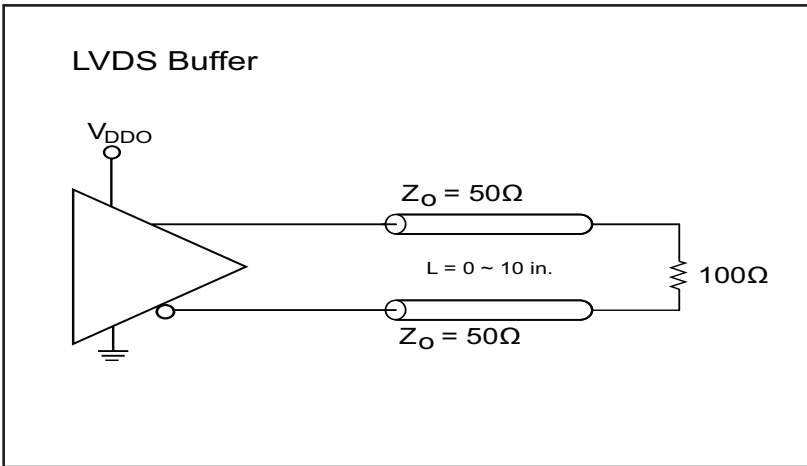
$f_{OUT} = 125\text{MHz}$



$f_{OUT} = 62.5\text{MHz}$

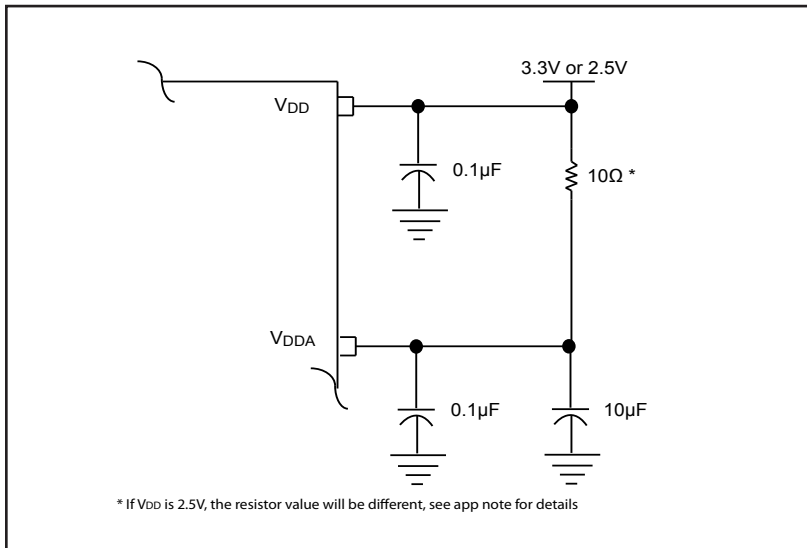


**LVDS Test Circuit**



**Power Supply Filtering Techniques**

As in any high speed analog circuitry, the power supply pins are vulnerable to random noise. To achieve optimum jitter performance, power supply isolation is required. The PI6LC48L0201 provides separate power supplies to isolate any high switching noise from the outputs to the internal PLL.  $V_{DD}$ ,  $V_{DDA}$  and  $V_{DDO}$  should be individually connected to the power supply plane through vias, and  $0.1\mu F$  bypass capacitors should be used for each pin. Figure below illustrates this for a generic  $V_{DD}$  pin and also shows that  $V_{DDA}$  requires that an additional  $10\Omega$  resistor along with a  $10\mu F$  bypass capacitor be connected to the  $V_{DDA}$  pin.



## Recommendations for Unused Input and Output Pins

### Inputs:

#### Crystal Inputs:

For applications not requiring the use of the crystal oscillator input, both XTAL\_IN and XTAL\_OUT can be left floating. A 1kΩ resistor can be tied from XTAL\_IN to ground for additional protection.

#### Ref\_IN Input:

For applications not requiring the use of the clock, it can be left floating. A 1kΩ resistor tied from the Ref\_IN to ground can provide additional protection.

#### LVC MOS Control Pins:

All control pins have internal pulldowns; A 1kΩ resistor tied from each control pin to ground can provide additional protection.

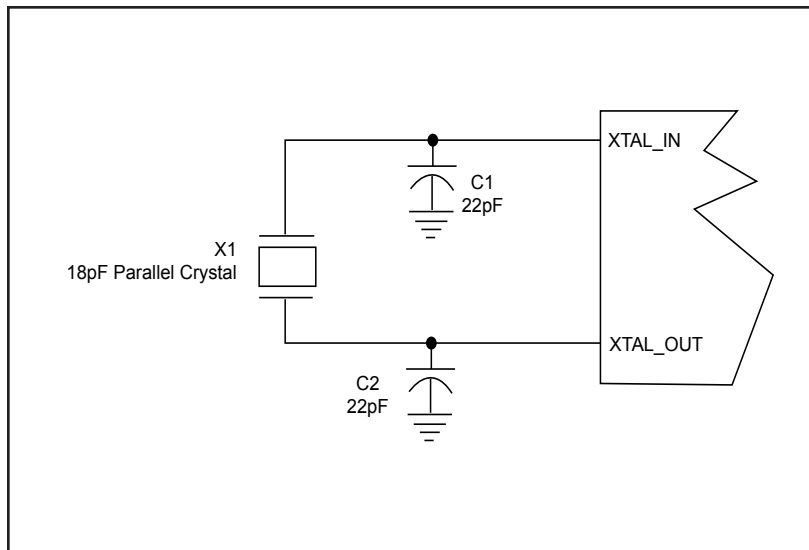
### Outputs:

#### LVDS Outputs:

All unused LVDS output pairs can be either left floating or terminated with 100Ω across. If they are left floating, we recommend that there is no trace attached.

## Crystal Input Interface

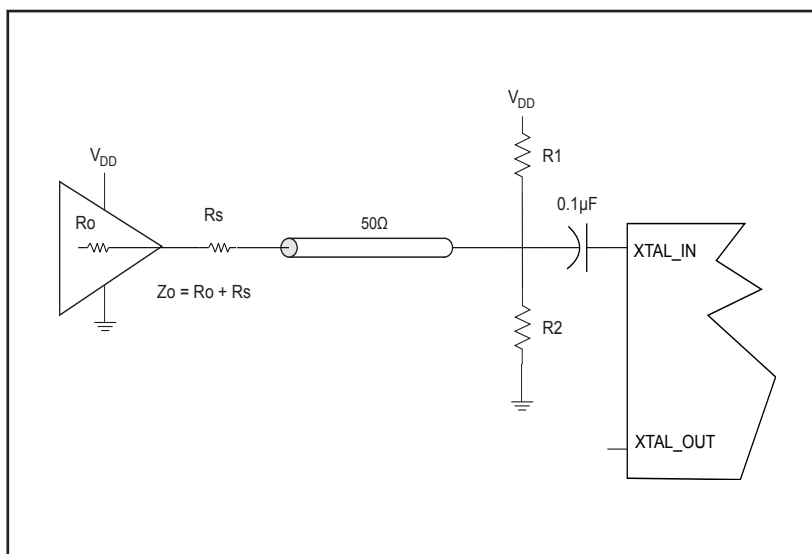
The clock generator has been characterized with 18pF parallel resonant crystals. The capacitor values shown in the figure below were determined using a 25MHz, 18pF parallel resonant crystal and were chosen to minimize the ppm error.





### LVCMOS to XTAL Interface

The XTAL\_IN input can accept a single-ended LVCMOS signal through an AC coupling capacitor. A general interface diagram is shown in the figure below. The XTAL\_OUT pin can be left floating. The input edge rate can be as slow as 10ns. For LVCMOS signals, it is recommended that the amplitude be reduced from full swing to half swing in order to prevent signal interference with the power rail and to reduce noise. This configuration requires that the output impedance of the driver ( $R_o$ ) plus the series resistance ( $R_s$ ) equals the transmission line impedance. In addition, matched termination at the crystal input will attenuate the signal in half. This can be done in one of the two ways. First, R1 and R2 in parallel should equal the transmission line impedance. For most 50Ω applications, R1 and R2 can be 100Ω. This can also be accomplished by removing R1 and making R2 50Ω. By overdriving the crystal oscillator, the device will be functional, but note, the device performance is guaranteed by using a quartz crystal.



### Thermal Information

Symbol	Description	Condition	
$\Theta_{JA}$	Junction-to-ambient thermal resistance	Still air	84.0 °C/W
$\Theta_{JC}$	Junction-to-case thermal resistance		17.0 °C/W

**Packaging Mechanical: 20-Contact TSSOP (L)**

VARIATIONS (ALL DIMENSIONS SHOWN IN MM)

SYMBOLS	MIN.	NOM.	MAX.
A	—	—	1.20
A1	0.05	—	0.15
A2	0.80	—	1.05
b	0.19	—	0.30
C	0.09	—	0.20
D	6.40	6.50	6.60
E1	4.30	4.40	4.50
E	6.40 BSC		
e	0.65 BSC		
L1	1.00 REF		
L	0.45	0.60	0.75
S	0.20	—	—
$\theta$	0°	—	8°

**Notes:**

- Refer JEDEC MO-153F/AC
- Controlling dimensions in millimeters
- Package outline exclusive of mold flash and metal burr

DATE: 05/03/12

<b>DESCRIPTION: 20-pin, 173mil Wide TSSOP</b>	
<b>PACKAGE CODE: L</b>	
<b>DOCUMENT CONTROL #: PD-1311</b>	<b>REVISION: F</b>

12-0373

**Ordering Information**

Ordering Code	Packaging Type	Package Description	Operating Temperature
PI6LC48L0201LE	L	Pb-free & Green, 20-pin TSSOP	Commercial
PI6LC48L0201LIE	L	Pb-free & Green, 20-pin TSSOP	Industrial

**Notes:**

- Thermal characteristics can be found on the company web site at [www.pericom.com/packaging/](http://www.pericom.com/packaging/)
- "E" denotes Pb-free and Green
- Adding an "X" at the end of the ordering code denotes tape and reel packaging