

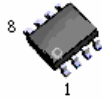
Low Voltage Switching Regulator Controller

The PJ3800 is a single-channel switching regulator control IC for low voltage applications incorporating a soft start function and short circuit detection function. The device has a low minimum operating voltage of 1.8 V and is ideal for the power supply of battery-operated electronic equipment.


FEATURES

- Wide supply voltage operating range: 1.8 to 15 V
- Low current consumption: Typically 5.5 mA in operation, 1 mA or less in stand-by
- High speed operation is possible: Maximum 1 MHz
- The error amplifier gain is set inside the IC, so peripheral components are minimized.
- Incorporates a soft start circuit.
- Incorporates a timer-latch type short circuit detection circuit (SCP).
- Totem-pole type output with adjustable on/off current (for NPN transistors)
- Incorporates a stand-by function.

SOP-8



TSSOP-8

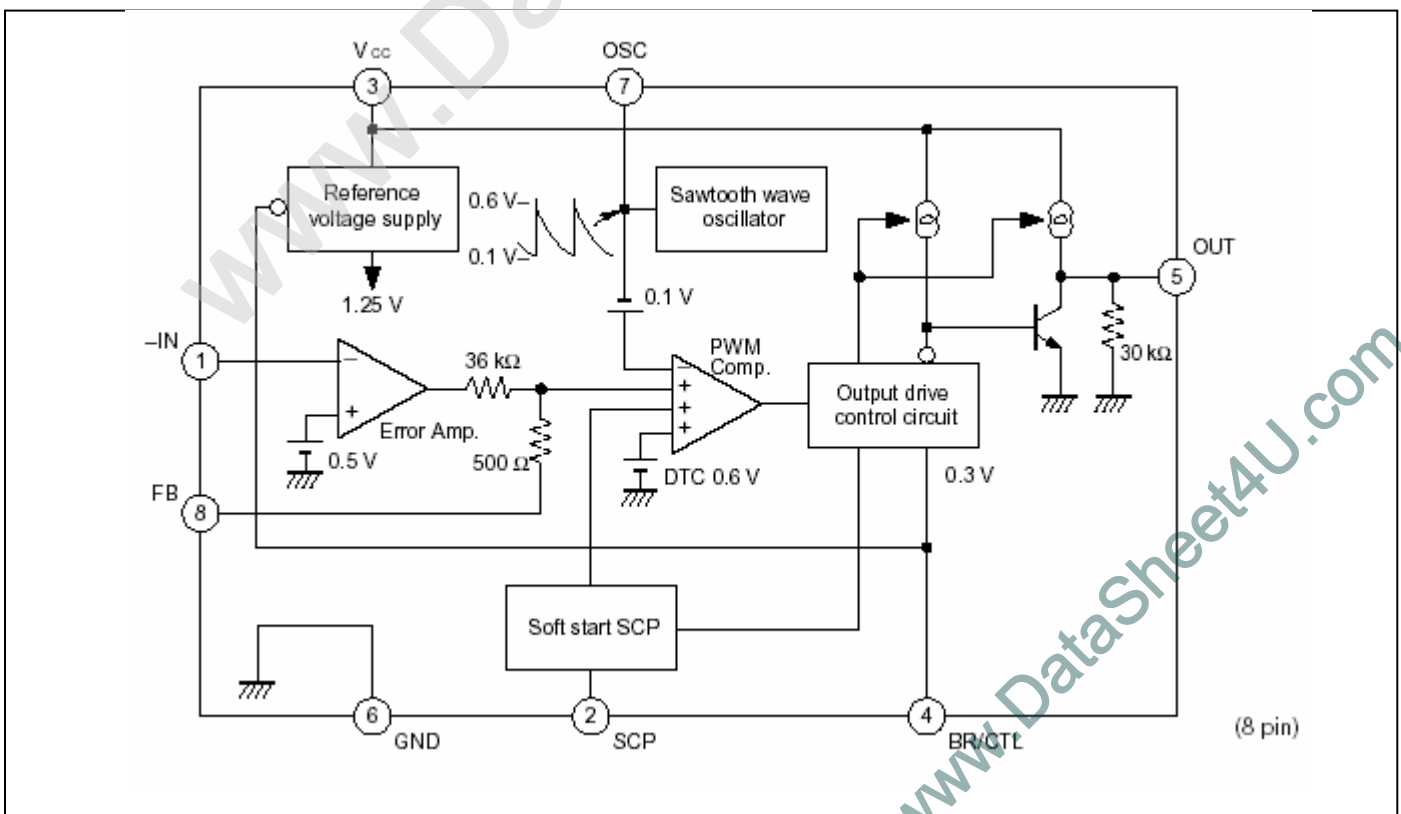


Pin 1. Error amplifier inverting input
 2. Soft Star & SCP
 3. Power supply
 4. Output current setting and control
 5. Output
 6. Ground
 7. Oscillation frequency
 8. Error amplifier output

ORDER INFORMATION

Device	Operation Temperature	Package
PJ3800CS	-20 ~ +85°C	SOP-8
PJ3800CA		TSSOP-8

BLOCK DIAGRAM



Low Voltage Switching Regulator Controller

ABSOLUTE MAXIMUM RATINGS

Parameter	Symbol	Rated Value		Unit
		Min.	Max.	
Power supply voltage	V _{CC}	—	16	V
Output source current	I _{O+}	—	-50	mA
Output sink current	I _{O-}	—	50	mA
Allowable dissipation	P _D	—	570*	mW
Operating temperature	T _{op}	-30	+85	°C
Storage temperature	T _{stg}	-55	+125	°C

* : When mounted on a 10 cm square double-sided epoxy board

WARNING: Semiconductor devices can be permanently damaged by application of stress (voltage, current, temperature, etc.) in excess of absolute maximum ratings. Do not exceed these ratings.

RECOMMENDED OPERATING CONDITIONS

Parameter	Symbol	Values			Unit
		Min.	Typ.	Max.	
Power supply voltage	V _{CC}	1.8	—	15	V
Error amplifier input voltage	V _I	- 0.2	—	1	V
BR/CTL pin input voltage	V _{BR}	- 0.2	—	V _{CC}	V
Output source current	I _{O+}	- 40	—	—	mA
Output sink current	I _{O-}	—	—	40	mA
SCP pin capacitance	C _{PE}	—	0.1	—	μ F
Phase compensation capacitance	C _P	—	0.1	—	μ F
Output current setting resistance	R _B	150	390	5000	Ω
Timing resistance	R _T	1	3	10	k Ω
Timing capacitance	C _T	100	270	10000	pF
Oscillation frequency	f _{OSC}	10	500	1000	kHz
Operating temperature	T _{OP}	- 30	+25	+85	°C

WARNING: Recommended operating conditions are normal operating ranges for the semiconductor device. All the device's electrical characteristics are warranted when operated within these ranges.

Always use semiconductor devices within the recommended operating conditions. Operation outside these ranges may adversely affect reliability and could result in device failure.

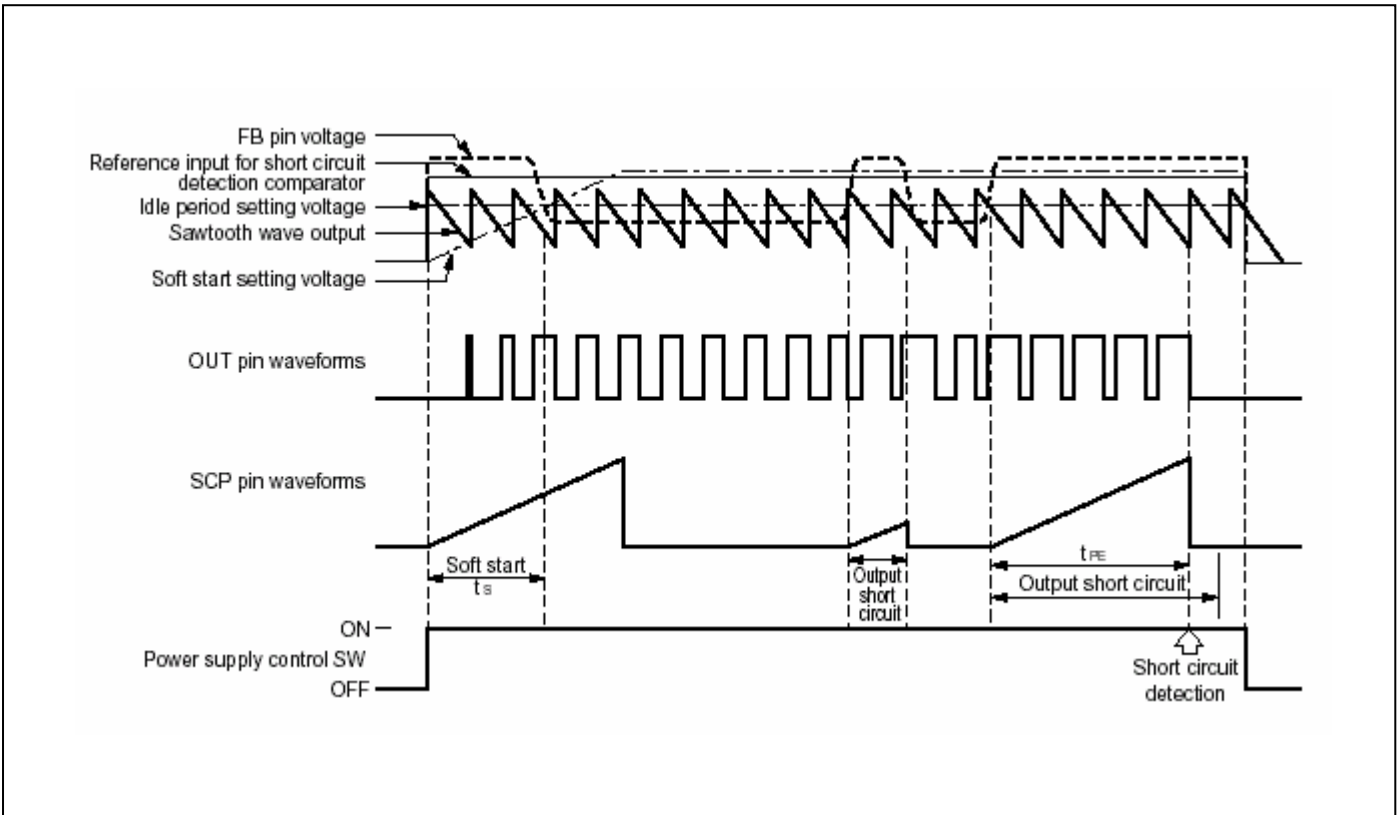
No warranty is made with respect to uses, operating conditions, or combinations not represented on the data sheet. Users considering application outside the listed conditions are advised to contact their Promax Johnton representative beforehand.

Low Voltage Switching Regulator Controller

ELECTRICAL CHARACTERISTICS (VCC = +2 V, Ta = +25 °C)

Parameter		Symbol	Condition	Value			Unit
				Min.	Typ.	Max.	
Circuit to prevent malfunction at low input voltage (U.V.L.O.)	Reset voltage	V	—	—	—	0.9	V
	Threshold voltage	V _{TH}	—	1.1	1.3	1.5	V
Soft start	Charging current	I _{CS}	VSCP = 0 V	-0.5	-1.0	-0.7	μ A
	Voltage at soft start completion	V _{tS}	—	0.7	0.8	0.9	V
Short circuit detection (S.C.P.)	Charging current	I _{CPC}	VSCP = 0 V	-1.5	-1.0	-0.7	μ A
	Threshold voltage	V _{IPC}	—	0.7	0.8	0.9	V
Saw tooth wave oscillator (OSC)	Oscillation frequency	f _{OCS}	R _T =3.0k Ω, C _T = 270 pF	400	500	600	kHz
	Frequency input stability	f _{dV}	VCC = 2 V to 15 V	—	2	10	%
	Frequency variation with temperature	f _{dT}	Ta = -20°C to +85°C	—	5	—	%
Error amplifier	Input threshold voltage	V _T	V _{FB} = 450 mV	480	500	520	mV
	VT input stability	V _{TdV}	VCC = 2 V to 15 V	—	5	20	mV
	VT variation with temperature	V _{TdT}	Ta = -20°C to +85°C	—	1	—	%
	Input bias current	I _B	V _{IN} = 0 V	-1.0	-0.2	1.0	μ A
	Voltage gain	A _V	—	70	100	145	V/V
	Frequency bandwidth	BW	AV = 0 dB	—	6	—	MHz
	Maximum output voltage range	V _{OM+}	—	0.78	0.87	—	V
		V _{OM-}	—	—	0.05	0.2	V
	Output source current	I _{OM+}	VFB = 0.45 V	—	-40	-24	μ A
Output sink current	I _{OM-}	24		40	—	μ A	
Idle period adjustment section	Maximum duty cycle	t _{DUTY}	R _T =3.0k Ω, C _T =270pF VFB=0.8V	65	75	85	%
Output section	Output voltage	V _{OH1}	R _B = 390 Ω I _O = -15mA	1.0	1.2	—	V
		V _{OH2}	R _B =750 Ω, V _{CC} =1.8V I _O = -10mA	0.8	1	—	V
		V _{OL1}	R _B = 390 Ω, I _O =15mA	—	0.1	0.2	V
		V _{OL2}	R _B = 750 Ω V _{CC} =1.8V I _O = 10mA	—	0.1	0.2	V
	Output source current	I _{O+}	R _B = 390 Ω V _O = 0.9V	—	-30	-20	mA
	Output sink current	I _{O-}	R _B = 390 Ω V _O = 0.3V	30	60	—	mA
	Pull down resistance	R _O	—	20	30	40	k
Output current setting section/ Control section	Pin voltage	V _{BR}	R _B = 390 Ω	0.2	0.3	0.4	V
	Input off condition	I _{OFF}	—	-20	—	0	μ A
	Input on condition	I _{ON}		—	—	-45	μ A
	Pin current range	I _{BR}		-1.8	—	-0.1	mA
Entire device	Stand-by current	I _{CCS}	BR/CTL pin open or V _{CC}	—	—	1	μ A
	Average supply current	I _{CC}	R _B = 390 Ω	—	5.5	9.3	mA

DIAGRAM



HOW TO SET THE TIME CONSTANT FOR SOFT START AND SHORT CIRCUIT DETECTION

1. Soft Start

At power on, the capacitor C_{PE} connected to the SCP pin starts charging. The PWM comparator compares the soft start setting voltage as a proportion of the voltage at the SCP pin with the saw tooth waveform. The comparison controls the ON duty of the OUT pin, causing the soft start operation. On completion of soft start operation, the voltage at the SCP pin stays low, the soft start setting voltage stays high, and the circuit enters the output short circuit detection wait state.

Soft start time (The time until the output ON duty reaches approximately 50%)

$$t_S [s] \cong 0.35 \times C_{PE} [\mu F]$$

2. Short Circuit Protection

If the switching regulator output suddenly drops due to load effect, the error amplifier output (FB pin) is fixed at V_{OM+} and capacitor C_{PE} starts charging. When the voltage at the SCP pin reaches approximately 0.8V, the output pin is set low and the SCP pin stays low.

Once the protection circuit operates, the circuit can be restored by resetting the power supply.

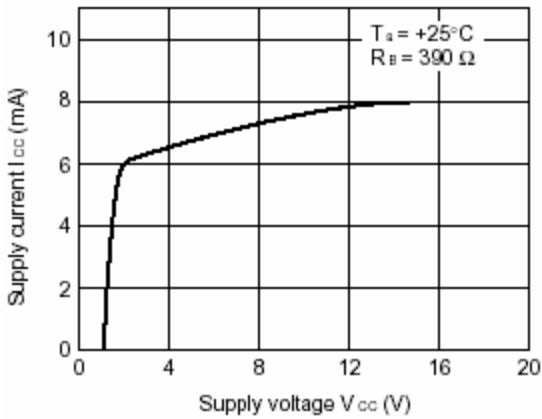
- Short circuit detection time

$$t_{PE} [s] \cong 0.8 \times C_{PE} [\mu F]$$

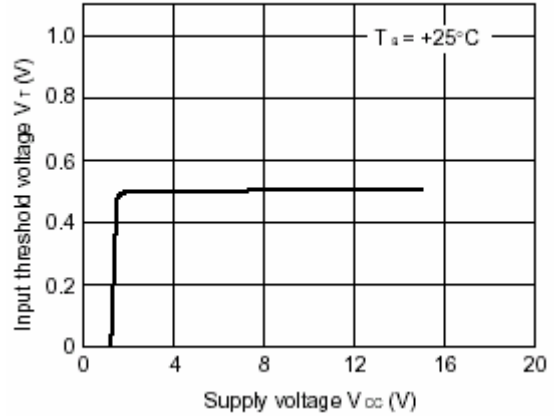
Low Voltage Switching Regulator Controller

TYPICAL CHARACTERISTICS

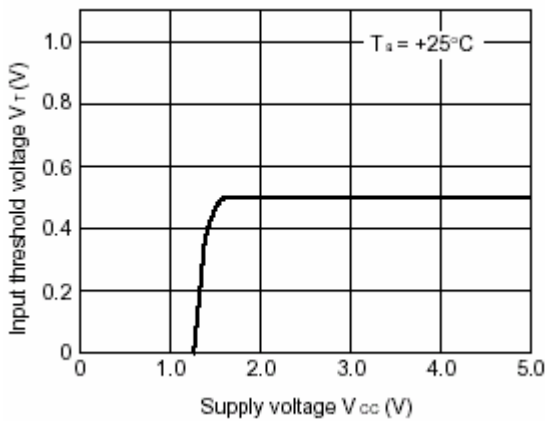
Supply voltage vs. Supply current



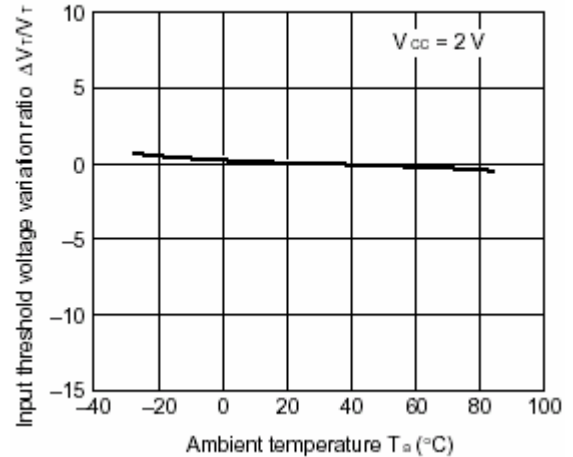
Supply voltage vs. Input threshold voltage



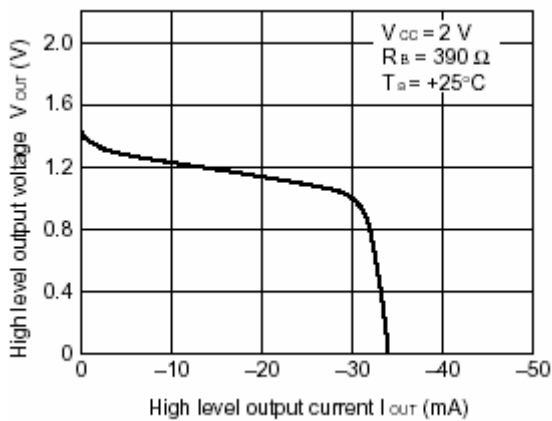
Supply voltage vs. Input threshold voltage



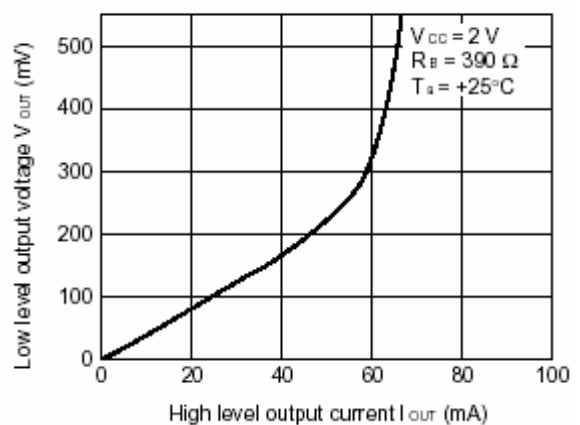
Ambient temperature vs. Input threshold voltage variation ratio



High level output

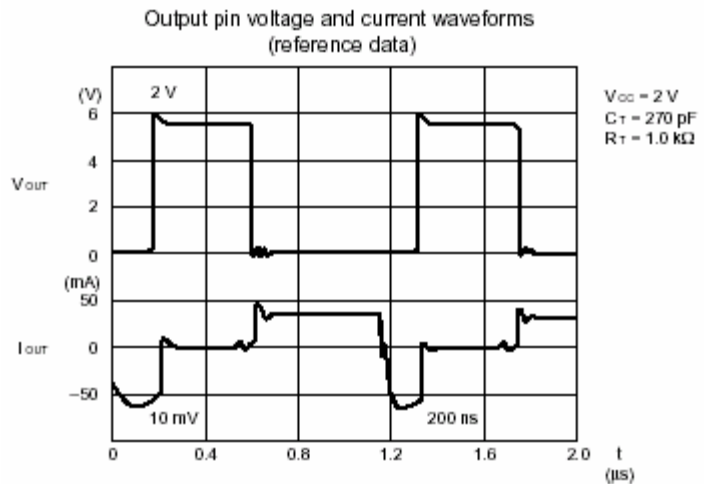
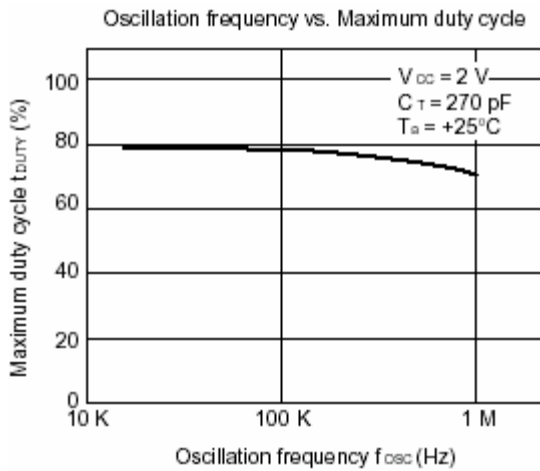


Low level output



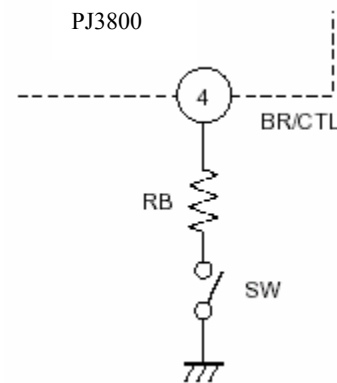
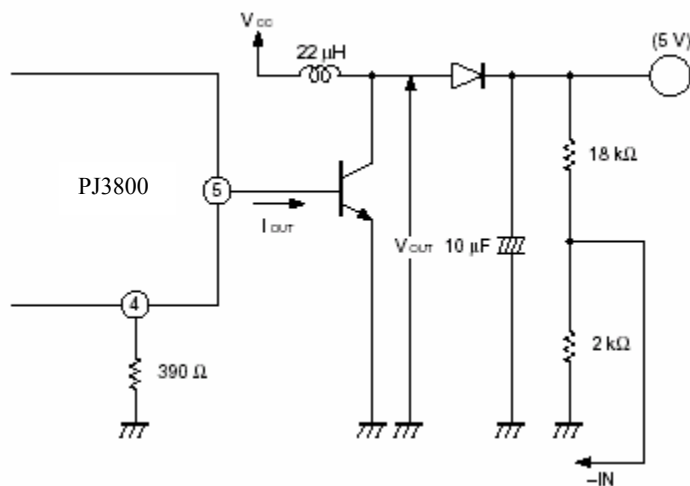
Low Voltage Switching Regulator Controller

(Continued)



Note: The OFF delay time of V_{out} depends on the characteristics of the external transistor.

Measurement circuit diagram



1. Switching Regulator Function

(1) Reference voltage circuit

The reference voltage circuit generates a temperature-compensated reference voltage (@1.25V) from voltage supplied from the power supply pin. In addition to providing the reference voltage for the switching regulator, the circuit also sets the idle period.

(2) Saw tooth wave oscillator

The saw tooth oscillator generates a saw tooth wave (up to 1 MHz) that is stable with respect to the supply voltage and temperature. The capacitor and resistor that set the oscillation frequency are connected to the OSC pin (pin 7).

(3) Error amplifier (Error Amp.)

The error amplifier detects the output voltage of the switching regulator and outputs the PWM control signal. The voltage gain is fixed, and connecting a phase compensation capacitor to the FB pin (pin 8) provides stable phase compensation for the system.

(4) PWM comparator (PWM Comp.)

The voltage comparator has one inverting and three non-inverting inputs. The comparator is a voltage/pulse width converter that controls the ON time of the output pulse depending on the input voltage. The output level is high (H) when the saw tooth wave is lower than the error amplifier output voltage, soft start setting voltage, and idle period setting voltage.

(5) Output circuit

The output circuit has a totem pole type configuration and can drive an external NPN transistor directly. The value of the ON/OFF current can be set by a resistor connected to the BR/CTL pin .

2. Power Supply Control Function

Stand-by mode (supply current 1 mA or less) can be set by connecting the BR/CTL pin to v_{cc} or by making the pin open circuit.

Low Voltage Switching Regulator Controller

3. Other Functions

(1) Soft start and short circuit detection

Soft start operation is set by connecting capacitor CPE to the SCP pin (pin 2). Soft start prevents a current spike on start-up. On completion of soft start operation, the SCP pin (pin 2) stays low and enters the short circuit detection wait state. When an output short circuit occurs, the error amplifier output is fixed at VOM+ and capacitor CPE starts charging. After charging to approximately 0.8 V, the output pin (pin 5) is set low and the SCP pin (pin 2) stays low.

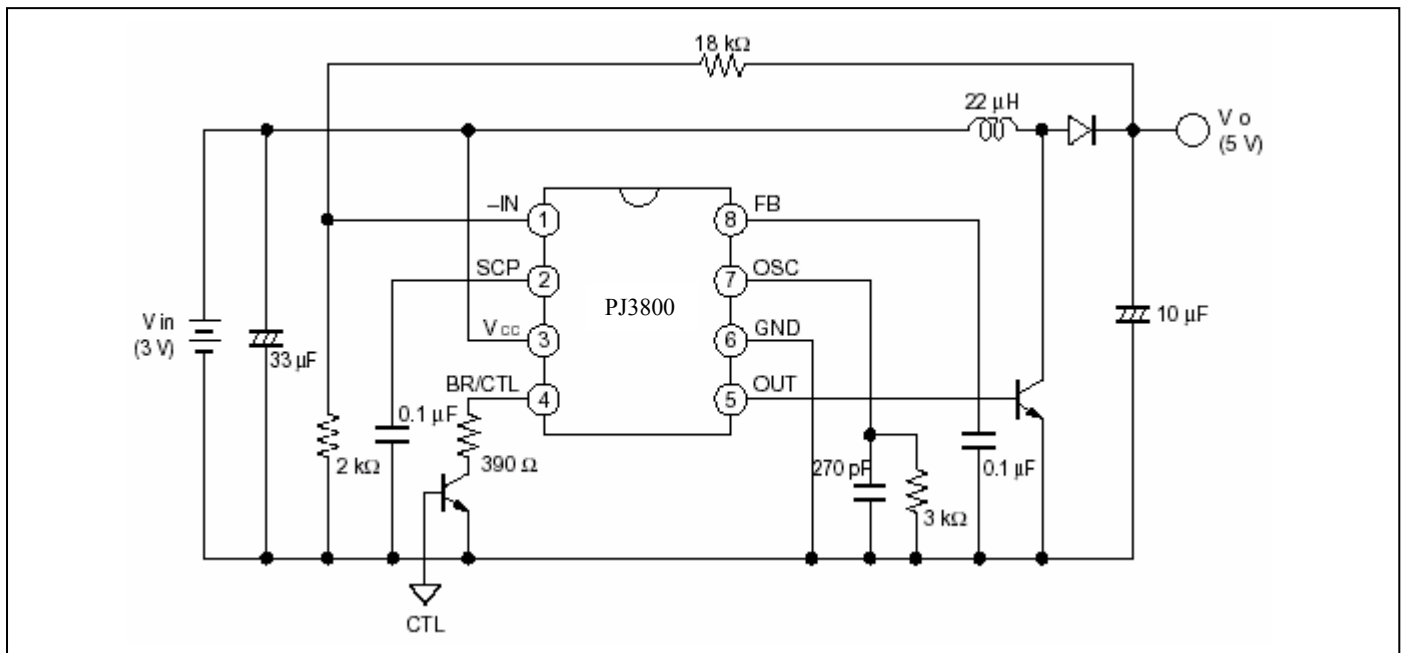
Once the protection circuit operates, the circuit can be restored by resetting the power supply. (See “n HOW TO SET THE TIME CONSTANT FOR SOFT START AND SHORT CIRCUIT DETECTION”.)

(2) Circuit to prevent malfunction at low input voltage

Transients when powering on or instantaneous glitches in the supply voltage can lead to malfunction of the control IC and cause system damage or failure. The circuit to prevent malfunction at low input voltage detects a low input voltage by comparing the supply voltage to the internal reference voltage. On detection, the circuit fixes the output pin to low.

The system recovers when the supply voltage rises back above the threshold voltage of the malfunction prevention circuit.

APPLICATION EXAMPLE



USAGE PRECAUTIONS

1. Do not apply an input voltage greater than the maximum rating.

Do not input voltages greater than the maximum rating as this can cause damage to the LSI

2. Use in accordance with the recommended operating conditions.

The electrical characteristics of the LSI are not guaranteed if the input voltage is greater than the maximum. Also, LSI operation is unstable if the input voltage is less than the minimum. Therefore, always use in accordance with the recommended operating conditions.

3. Use a wide ground line on the printed circuit board.

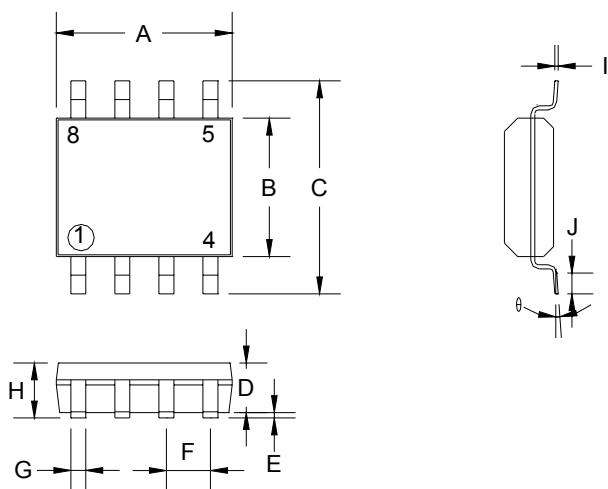
As the LSI uses a high frequency and therefore can generate high frequency noise, make the ground line as wide as possible.

4. Take anti-static precautions.

- Use a holder for inserting the semiconductor which is anti-static or conductive.
- After mounting the device on a printed circuit board, store or transport the board in a conductive bag or container.
- Earth work benches, tools, and measuring equipment.
- Ensure that maintenance personnel have a resistance of 250 kW to 1 MW in series between their body and earth.

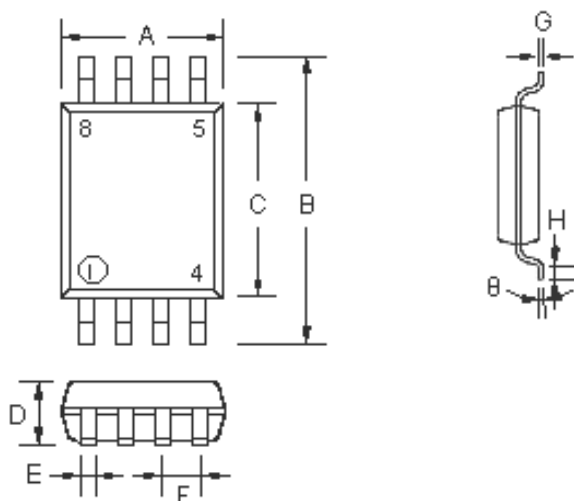
Low Voltage Switching Regulator Controller

SOP-8 Unit : mm



SOP-8 DIMENSION				
DIM	MILLIMETERS		INCHES	
	MIN	MAX	MIN	MAX
A	4.800	5.000	0.189	0.197
B	3.800	4.000	0.150	0.157
C	5.800	6.200	0.228	0.244
D	1.400	1.500	0.055	0.059
E	-	0.100	-	0.004
F	1.27BSC		0.05BSC	
G	0.330	0.510	0.013	0.020
H	1.450	1.550	0.057	0.061
I	0.190	0.250	0.007	0.010
J	0.400	1.270	0.016	0.050
θ	0°	8°	0°	8°

TSSOP-8 Unit : mm



TSSOP-8 DIMENSION				
DIM	MILLIMETERS		INCHES	
	MIN	MAX	MIN	MAX
A	3.400	3.600	0.133	0.141
B	6.000	6.400	0.236	0.252
C	4.100	4.300	0.161	0.169
D	1.150	1.450	0.045	0.057
E	0.250	0.450	0.010	0.018
F	0.800		0.031	
G	0.130	2.000	0.051	0.079
H	0.300	0.700	0.012	0.028
θ	0°	10°	0°	10°