

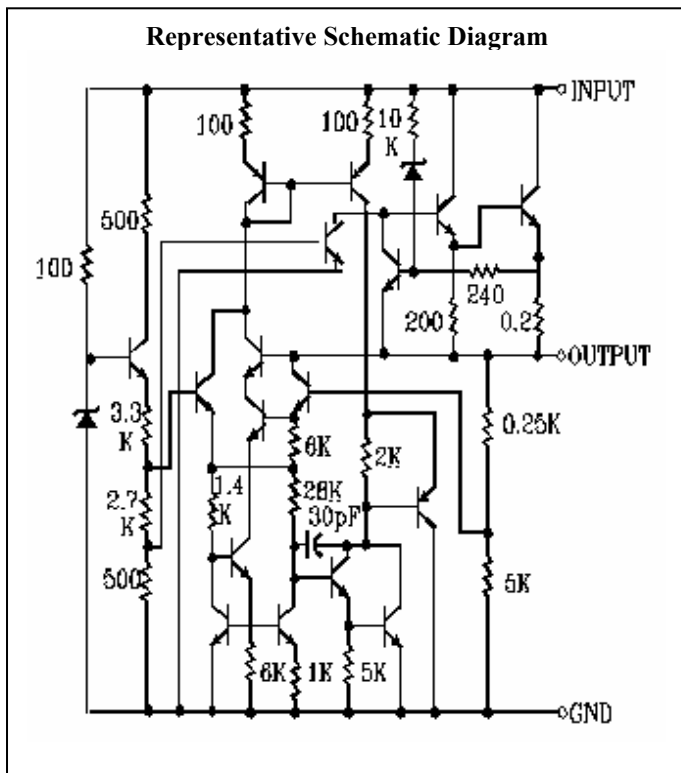
3-Terminal Fixed Voltage Positive Regulators

These voltage regulators are monolithic integrated circuits designed as fixed-voltage regulators for a wide variety of applications including local, on-card regulation. These regulators employ internal current limiting, thermal shutdown, and safe-area compensation.

FEATURES

- Output Current up to 1 Ampere
- No External Components Required
- Internal Thermal Overload Protection
- Internal Short-Circuit Current Limiting
- Output Transistor Safe-Area Compensation
- Output Voltage Offered in 4% Tolerance

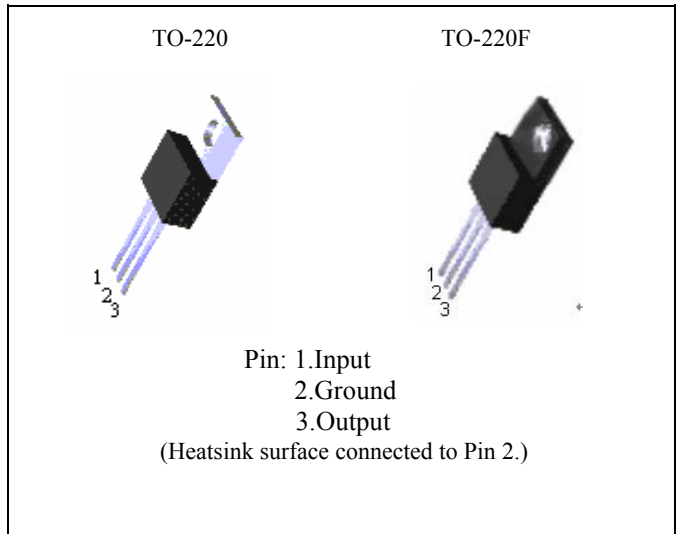
CIRCUIT SCHEMATIC



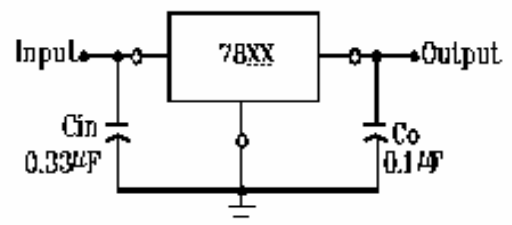
With adequate heatsinking they can deliver output currents up to 1 ampere.

Although designed primarily as a fixed voltage regulator, these devices can be used with external components to obtain adjustable voltages and currents.

PIN ARRANGEMENT



Standard Application



A common ground is required between the input and the output voltages. The input voltage must remain typically 2.0V above the output voltage even during the low point on the Input ripple voltage.

XX = these two digits of the type number indicate voltage.

* = Cin is required if regulator is located an appreciable distance from power supply filter.

** = Co is not needed for stability; however, it does improve transient response.

3-Terminal Fixed Voltage Positive Regulators

ABSOLUTE MAXIMUM RATINGS (Ta=25°C)

RATING	SYMBOL	PJ7800 Series	UNIT
Input Voltage	Vin *	35	V
Input Voltage	Vin **	40	V
Power Dissipation TO-220	Without heatsink	2	°C/W
TO-220	Pt ***	15	
TO-220F	With heatsink	10	
Operating Ambient Temperature	Topr	-20 to +85	°C
Operating Junction Temperature	Tj	0 to +125	°C
Storage Temperature	Tstg	-25 to +150	°C

Note: * PJ7805 to PJ7818

** PJ7824

*** Follow the derating curve

ORDERING INFORMATION

DEVICE	OPERATING TEMPERATURE (AMBIENT)	PACKAGE
PJ78xxCZ	-20°C to +85°C	TO-220
PJ78xxCI		TO-220F

PJ7805 ELECTRICAL CHARACTERISTICS

(Vin=10V, Iout=500mA, 0°C ≤ Tj ≤ 125°C, Cin=0.33 μF, Cout=0.1 μF; unless otherwise specified.)

CHARACTERISTICS	SYMBOL	TEST CONDITIONS	MIN.	TYP.	MAX.	UNIT	
Output Voltage	Vout	Tj=25°C	4.80	5	5.20	V	
		7V ≤ Vin ≤ 20V, 5mA ≤ Iout ≤ 1.5A, PD ≤ 15W	4.75	5	5.25		
Line Regulation	REGline	Tj=25°C	7.5V ≤ Vin ≤ 25V	--	3	100	mV
			8V ≤ Vin ≤ 12V	--	1	50	mV
Load Regulation	REGload	Tj=25°C	5mA ≤ Iout ≤ 1.5A	--	15	100	mV
			250mA ≤ Iout ≤ 750mA	--	5	50	mV
Quiescent Current	Iq	Iout=0, Tj=25°C	--	4.2	8	mA	
Quiescent Current Change	ΔIq	7V ≤ Vin ≤ 25V	--	--	1.3	mA	
		5mA ≤ Iout ≤ 1.5A	--	--	0.5	mA	
Output Noise Voltage	Vn	10Hz ≤ f ≤ 100KHz, Tj=25°C	--	40	--	μV	
Ripple Rejection Ratio	RR	f=120Hz, 8V ≤ Vin ≤ 18V	62	78	--	dB	
Voltage Drop	Vdrop	Iout=1.0A, Tj=25°C	--	2	--	V	
Output Resistance	Rout	f=1KHz	--	17	--	mΩ	
Output Short Circuit Current	Ios	Tj=25°C	--	750	--	mA	
Peak Output Current	Io peak	Tj=25°C	--	2.2	--	A	
Temperature Coefficient of Output Voltage	ΔVout/ΔTj	Iout=5mA, 0°C ≤ Tj ≤ 125°C	--	-0.6	--	mV/°C	

* Pulse testing techniques are used to maintain the junction temperature as close to the ambient temperature as possible, and thermal effects must be taken into account separately.

** This specification applies only for DC power dissipation permitted by absolute maximum ratings.

3-Terminal Fixed Voltage Positive Regulators

PJ7806 ELECTRICAL CHARACTERISTICS

(Vin=11V, Iout=500mA, 0°C≤Tj≤125°C, Cin=0.33 μF, Cout=0.1 μF; unless otherwise specified.)

CHARACTERISTICS	SYMBOL	TEST CONDITIONS	MIN.	TYP.	MAX.	UNIT	
Output Voltage	Vout	Tj=25°C	5.75	6	6.25	V	
		8V≤Vin≤21V, 5mA≤Iout≤1.5A, PD≤15W	6.3	6	6.3		
Line Regulation	REGline	Tj=25°C	8V≤Vin≤25V	--	5	120	mV
			9V≤Vin≤13V	--	1.5	60	mV
Load Regulation	REGload	Tj=25°C	5mA≤Iout≤1.5A	--	14	120	mV
			250mA≤Iout≤750mA	--	4	60	mV
Quiescent Current	Iq	Iout=0, Tj=25°C	--	4.3	8	mA	
Quiescent Current Change	ΔIq	8V≤Vin≤25V	--	--	1.3	mA	
		5mA≤Iout≤1.5A	--	--	0.5	mA	
Output Noise Voltage	Vn	10Hz≤f≤100KHz, Tj=25°C	--	45	--	μV	
Ripple Rejection Ratio	RR	f=120Hz, 9V≤Vin≤19V	59	75	--	dB	
Voltage Drop	Vdrop	Iout=1.0A, Tj=25°C	--	2	--	V	
Output Resistance	Rout	f=1KHz	--	19	--	mΩ	
Output Short Circuit Current	Ios	Tj=25°C	--	550	--	mA	
Peak Output Current	Io peak	Tj=25°C	--	2.2	--	A	
Temperature Coefficient of Output Voltage	ΔVout/ΔTj	Iout=5mA, 0°C≤Tj≤125°C	--	-0.7	--	mV/°C	

PJ7808 ELECTRICAL CHARACTERISTICS

(Vin=14V, Iout=500mA, 0°C≤Tj≤125°C, Cin=0.33 μF, Cout=0.1 μF; unless otherwise specified.)

CHARACTERISTICS	SYMBOL	TEST CONDITIONS	MIN.	TYP.	MAX.	UNIT	
Output Voltage	Vout	Tj=25°C	7.69	8	8.32	V	
		10.5V≤Vin≤23V, 5mA≤Iout≤1.5A, PD≤15W	7.61	8	8.40		
Line Regulation	REGline	Tj=25°C	10.5V≤Vin≤25V	--	6	160	mV
			11V≤Vin≤17V	--	2	80	mV
Load Regulation	REGload	Tj=25°C	10mA≤Iout≤1.5A	--	12	160	mV
			250mA≤Iout≤750mA	--	4	80	mV
Quiescent Current	Iq	Iout=0, Tj=25°C	--	4.3	8	mA	
Quiescent Current Change	ΔIq	10.5V≤Vin≤25V	--	--	1	mA	
		5mA≤Iout≤1.5A	--	--	0.5	mA	
Output Noise Voltage	Vn	10Hz≤f≤100KHz, Tj=25°C	--	52	--	μV	
Ripple Rejection Ratio	RR	f=120Hz, 11V≤Vin≤21V	56	72	--	dB	
Voltage Drop	Vdrop	Iout=1.0A, Tj=25°C	--	2	--	V	
Output Resistance	Rout	f=1KHz	--	16	--	mΩ	
Output Short Circuit Current	Ios	Tj=25°C	--	450	--	mA	
Peak Output Current	Io peak	Tj=25°C	--	2.2	--	A	
Temperature Coefficient of Output Voltage	ΔVout/ΔTj	Iout=5mA, 0°C≤Tj≤125°C	--	-0.8	--	mV/°C	

* Pulse testing techniques are used to maintain the junction temperature as close to the ambient temperature as possible, and thermal effects must be taken into account separately.

** This specification applies only for DC power dissipation permitted by absolute maximum ratings.

3-Terminal Fixed Voltage Positive Regulators

• PJ7809 ELECTRICAL CHARACTERISTICS

(Vin=15V, Iout=500mA, 0°C≤Tj≤125°C, Cin=0.33 μF, Cout=0.1 μF; unless otherwise specified.)

CHARACTERISTICS	SYMBOL	TEST CONDITIONS	MIN.	TYP.	MAX.	UNIT	
Output Voltage	Vout	Tj=25°C	8.65	9	9.36	V	
		10.5V≤Vin≤23V, 5mA≤Iout≤1.5A, PD ≤15W	8.57	9	9.45		
Line Regulation	REGline	Tj=25°C	11.5V≤Vin≤26V	--	6	180	mV
			11.5V≤Vin≤17V	--	2	90	mV
Load Regulation	REGload	Tj=25°C	5mA≤Iout≤1.5A	--	12	180	mV
			250mA≤Iout≤750mA	--	4	90	mV
Quiescent Current	Iq	Iout=0, Tj=25°C	--	4.3	8	mA	
Quiescent Current Change	ΔIq	11.5V≤Vin≤26V	--	--	1	mA	
		5mA≤Iout≤1.5A	--	--	0.5	mA	
Output Noise Voltage	Vn	10Hz≤f≤100KHz, Tj=25°C	--	52	--	μV	
Ripple Rejection Ratio	RR	f=120Hz, 11.5V≤Vin≤21.5V	55	72	--	dB	
Voltage Drop	Vdrop	Iout=1.0A, Tj=25°C	--	2	--	V	
Output Resistance	Rout	f=1KHz	--	16	--	mΩ	
Output Short Circuit Current	Ios	Tj=25°C	--	450	--	mA	
Peak Output Current	Io peak	Tj=25°C	--	2.2	--	A	
Temperature Coefficient of Output Voltage	ΔVout/ΔTj	Iout=5mA, 0°C≤Tj≤125°C	--	-1	--	mV/°C	

• PJ7810 ELECTRICAL CHARACTERISTICS

(Vin=16V, Iout=500mA, 0°C≤Tj≤125°C, Cin=0.33 μF, Cout=0.1 μF; unless otherwise specified.)

CHARACTERISTICS	SYMBOL	TEST CONDITIONS	MIN.	TYP.	MAX.	UNIT	
Output Voltage	Vout	Tj=25°C	9.6	10	10.4	V	
		12.5V≤Vin≤25V, 5mA≤Iout≤1.5A, PD ≤15W	9.5	10	10.5		
Line Regulation	REGline	Tj=25°C	12.5V≤Vin≤28V	--	7	200	mV
			13V≤Vin≤17V	--	2	100	mV
Load Regulation	REGload	Tj=25°C	10mA≤Iout≤1.5A	--	12	200	mV
			250mA≤Iout≤750mA	--	4	100	mV
Quiescent Current	Iq	Iout=0, Tj=25°C	--	4.3	8	mA	
Quiescent Current Change	ΔIq	12.5V≤Vin≤28V	--	--	1	mA	
		5mA≤Iout≤1.5A	--	--	0.5	mA	
Output Noise Voltage	Vn	10Hz≤f≤100KHz, Tj=25°C	--	70	--	μV	
Ripple Rejection Ratio	RR	f=120Hz, 13V≤Vin≤23V	55	71	--	dB	
Voltage Drop	Vdrop	Iout=1.0A, Tj=25°C	--	2	--	V	
Output Resistance	Rout	f=1KHz	--	18	--	mΩ	
Output Short Circuit Current	Ios	Tj=25°C	--	400	--	mA	
Peak Output Current	Io peak	Tj=25°C	--	2.2	--	A	
Temperature Coefficient of Output Voltage	ΔVout/ΔTj	Iout=5mA, 0°C≤Tj≤125°C	--	-1	--	mV/°C	

* Pulse testing techniques are used to maintain the junction temperature as close to the ambient temperature as possible, and thermal effects must be taken into account separately.

** This specification applies only for DC power dissipation permitted by absolute maximum ratings.

3-Terminal Fixed Voltage Positive Regulators

• PJ7812 ELECTRICAL CHARACTERISTICS

Vin=19V, Iout=500mA, 0°C≤Tj≤125°C, Cin=0.33 μF, Cout=0.1 μF; unless otherwise specified.)

CHARACTERISTICS	SYMBOL	TEST CONDITIONS	MIN.	TYP.	MAX.	UNIT	
Output Voltage	Vout	Tj=25°C	11.53	12	12.48	V	
		14.5V≤Vin≤27V, 5mA≤Iout≤1.5A, PD ≤15W	11.42	12	12.60		
Line Regulation	REGline	Tj=25°C	14V≤Vin≤30V	--	10	240	mV
			15V≤Vin≤19V	--	3	120	mV
Load Regulation	REGload	Tj=25°C	10mA≤Iout≤1.5A	--	12	240	mV
			250mA≤Iout≤750mA	--	4	120	mV
Quiescent Current	Iq	Tj=25°C, Iout=0	--	4.3	8	mA	
Quiescent Current Change	ΔIq	14.5V≤Vin≤30V	--	--	1	mA	
		5mA≤Iout≤1.5A	--	--	0.5	mA	
Output Noise Voltage	Vn	10Hz≤f≤100KHz, Tj=25°C	--	75	--	μV	
Ripple Rejection Ratio	RR	f=120Hz, 15V≤Vin≤25V	55	71	--	dB	
Voltage Drop	Vdrop	Iout=1.0A, Tj=25°C	--	2	--	V	
Output Resistance	Rout	f=1KHz	--	18	--	mΩ	
Output Short Circuit Current	Ios	Tj=25°C	--	350	--	mA	
Peak Output Current	Io peak	Tj=25°C	--	2.2	--	A	
Temperature Coefficient of Output Voltage	ΔVout/ΔTj	Iout=5mA, 0°C≤Tj≤125°C	--	-1	--	mV/°C	

• PJ7815 ELECTRICAL CHARACTERISTICS

(Vin=23V, Iout=500mA, 0°C≤Tj≤125°C, Cin=0.33 μF, Cout=0.1 μF; unless otherwise specified.)

CHARACTERISTICS	SYMBOL	TEST CONDITIONS	MIN.	TYP.	MAX.	UNIT	
Output Voltage	Vout	Tj=25°C	14.42	15	15.60	V	
		17.5V≤Vin≤30V, 5mA≤Iout≤1.5A, PD ≤15W	14.28	15	15.75		
Line Regulation	REGline	Tj=25°C	17.5V≤Vin≤30V	--	12	300	mV
			18V≤Vin≤22V	--	3	150	mV
Load Regulation	REGload	Tj=25°C	10mA≤Iout≤1.5A	--	12	300	mV
			250mA≤Iout≤750mA	--	4	150	mV
Quiescent Current	Iq	Tj=25°C, Iout=0	--	4.3	8	mA	
Quiescent Current Change	ΔIq	17.5V≤Vin≤30V	--	--	1	mA	
		5mA≤Iout≤1.5A	--	--	0.5	mA	
Output Noise Voltage	Vn	10Hz≤f≤100KHz, Tj=25°C	--	90	--	μV	
Ripple Rejection Ratio	RR	f=120Hz, 18V≤Vin≤28V	54	70	--	dB	
Voltage Drop	Vdrop	Iout=1.0A, Tj=25°C	--	2	--	V	
Output Resistance	Rout	f=1KHz	--	19	--	mΩ	
Output Short Circuit Current	Ios	Tj=25°C	--	230	--	mA	
Peak Output Current	Io peak	Tj=25°C	--	2.2	--	A	
Temperature Coefficient of Output Voltage	ΔVout/ΔTj	Iout=5mA, 0°C≤Tj≤125°C	--	-1	--	mV/°C	

* Pulse testing techniques are used to maintain the junction temperature as close to the ambient temperature as possible, and thermal effects must be taken into account separately.

** This specification applies only for DC power dissipation permitted by absolute maximum ratings.

3-Terminal Fixed Voltage Positive Regulators

PJ7818 ELECTRICAL CHARACTERISTICS

($V_{in}=27V$, $I_{out}=500mA$, $0^{\circ}C \leq T_j \leq 125^{\circ}C$, $C_{in}=0.33 \mu F$, $C_{out}=0.1 \mu F$; unless otherwise specified.)

CHARACTERISTICS	SYMBOL	TEST CONDITIONS	MIN.	TYP.	MAX.	UNIT	
Output Voltage	Vout	$T_j=25^{\circ}C$	17.30	18	18.72	V	
		$21V \leq V_{in} \leq 33V$, $5mA \leq I_{out} \leq 1.5A$, $PD \leq 15W$	17.14	18	18.90		
Line Regulation	REGline	$T_j=25^{\circ}C$	$21V \leq V_{in} \leq 33V$	--	15	360	mV
			$22V \leq V_{in} \leq 26V$	--	5	180	mV
Load Regulation	REGload	$T_j=25^{\circ}C$	$10mA \leq I_{out} \leq 1.5A$	--	12	360	mV
			$250mA \leq I_{out} \leq 750mA$	--	4	180	mV
Quiescent Current	Iq	$T_j=25^{\circ}C$, $I_{out}=0$	--	4.5	8	mA	
Quiescent Current Change	ΔIq	$21V \leq V_{in} \leq 33V$	--	--	1	mA	
		$5mA \leq I_{out} \leq 1.5A$	--	--	0.5	mA	
Output Noise Voltage	Vn	$10Hz \leq f \leq 100KHz$, $T_j=25^{\circ}C$	--	110	--	μV	
Ripple Rejection Ratio	RR	$f=120Hz$, $21V \leq V_{in} \leq 31V$	54	70	--	dB	
Voltage Drop	Vdrop	$I_{out}=1.0A$, $T_j=25^{\circ}C$	--	2	--	V	
Output Resistance	Rout	$f=1KHz$	--	22	--	$m\Omega$	
Output Short Circuit Current	Ios	$T_j=25^{\circ}C$	--	200	--	mA	
Peak Output Current	Io peak	$T_j=25^{\circ}C$	--	2.2	--	A	
Temperature Coefficient of Output Voltage	$\Delta V_{out} / \Delta T_j$	$I_{out}=5mA$, $0^{\circ}C \leq T_j \leq 125^{\circ}C$	--	-1	--	$mV/^{\circ}C$	

PJ7824 BELECTRICAL CHARACTERISTICS

($V_{in}=33V$, $I_{out}=500mA$, $0^{\circ}C \leq T_j \leq 125^{\circ}C$, $C_{in}=0.33 \mu F$, $C_{out}=0.1 \mu F$; unless otherwise specified.)

CHARACTERISTICS	SYMBOL	TEST CONDITIONS	MIN.	TYP.	MAX.	UNIT	
Output Voltage	Vout	$T_j=25^{\circ}C$	23.07	24	24.96	V	
		$26V \leq V_{in} \leq 38V$, $5mA \leq I_{out} \leq 1.5A$, $PD \leq 15W$	22.85	24	25.20		
Line Regulation	REGline	$T_j=25^{\circ}C$	$26V \leq V_{in} \leq 38V$	--	18	480	mV
			$27V \leq V_{in} \leq 32V$	--	6	240	mV
Load Regulation	REGload	$T_j=25^{\circ}C$	$10mA \leq I_{out} \leq 1.5A$	--	12	480	mV
			$250mA \leq I_{out} \leq 750mA$	--	4	240	mV
Quiescent Current	Iq	$I_{out}=0$, $T_j=25^{\circ}C$	--	4.6	8	mA	
Quiescent Current Change	ΔIq	$26V \leq V_{in} \leq 38V$	--	--	1	mA	
		$5mA \leq I_{out} \leq 1.5A$	--	--	0.5	mA	
Output Noise Voltage	Vn	$10Hz \leq f \leq 100KHz$, $T_j=25^{\circ}C$	--	170	--	μV	
Ripple Rejection Ratio	RR	$f=120Hz$, $26V \leq V_{in} \leq 36V$	54	70	--	dB	
Voltage Drop	Vdrop	$I_{out}=1.0A$, $T_j=25^{\circ}C$	--	2	--	V	
Output Resistance	Rout	$f=1KHz$	--	28	--	$m\Omega$	
Output Short Circuit Current	Ios	$T_j=25^{\circ}C$	--	150	--	mA	
Peak Output Current	Io peak	$T_j=25^{\circ}C$	--	2.2	--	A	
Temperature Coefficient of Output Voltage	$\Delta V_{out} / \Delta T_j$	$I_{out}=5mA$, $0^{\circ}C \leq T_j \leq 125^{\circ}C$	--	-1.5	--	$mV/^{\circ}C$	

* Pulse testing techniques are used to maintain the junction temperature as close to the ambient temperature as possible, and thermal effects must be taken into account separately.

** This specification applies only for DC power dissipation permitted by absolute maximum ratings.

3-Terminal Fixed Voltage Positive Regulators

FIGURE 1 - WORST CASE POWER DISSIPATION versus AMBIENT TEMPERATURE

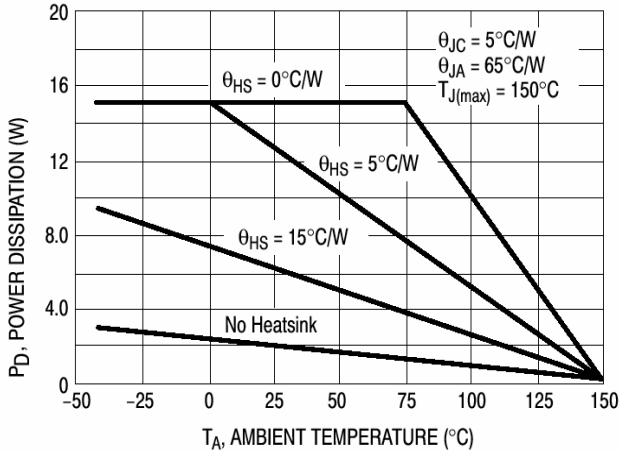


FIGURE 2 - PEAK OUTPUT CURRENT AS A FUNCTION OF INPUT-OUTPUT DIFFERENTIAL VOLTAGE

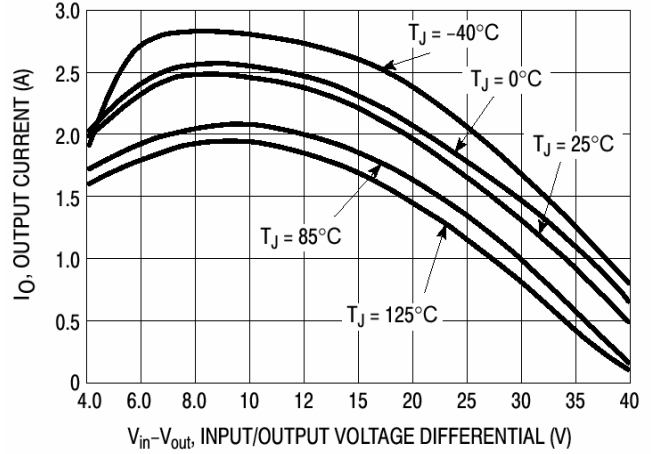


FIGURE 3 - QUIESCENT CURRENT AS A FUNCTION OF TEMPERATURE

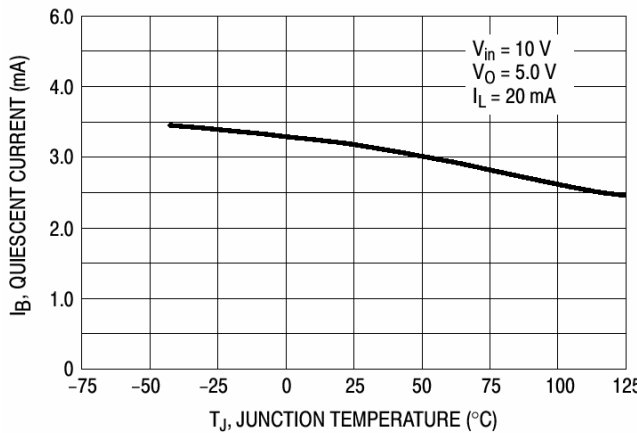


FIGURE 4 - INPUT-OUTPUT DIFFERENTIAL AS A FUNCTION OF JUNCTION TEMPERATURE

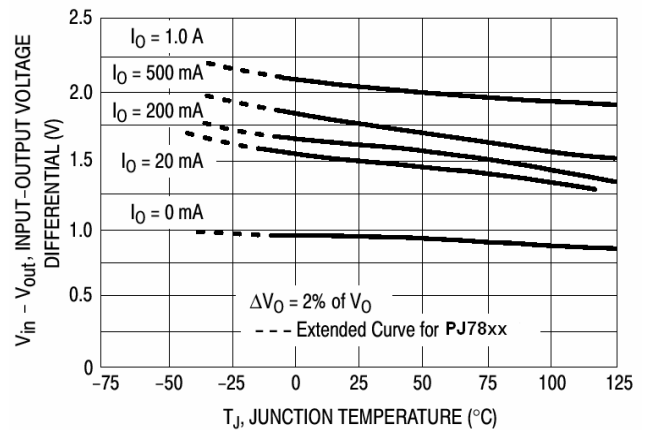


FIGURE 5 - OUTPUT VOLTAGE AS A FUNCTION OF JUNCTION TEMPERATURE

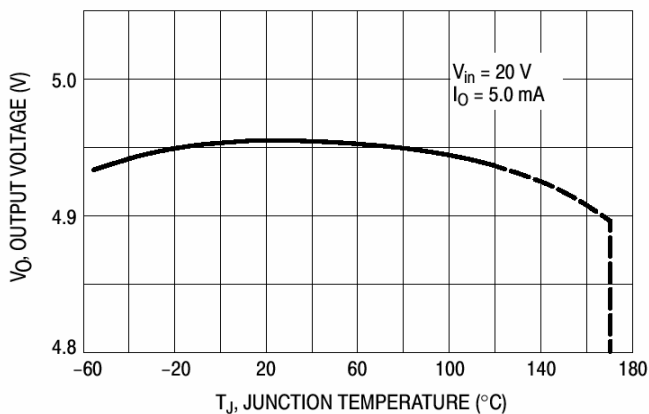
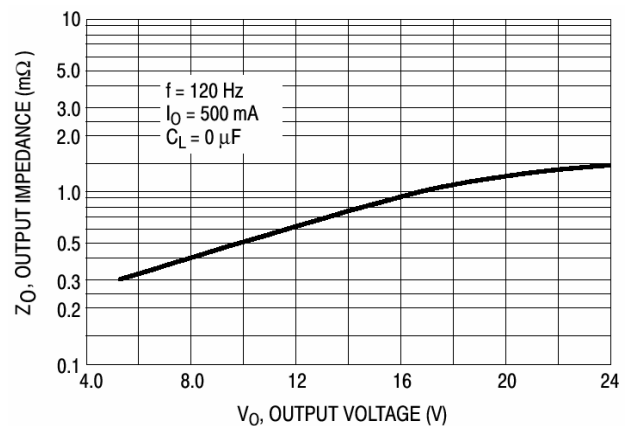


FIGURE 6 - OUTPUT IMPEDANCE AS A FUNCTION OF OUTPUT VOLTAGE



3-Terminal Fixed Voltage Positive Regulators

FIGURE 7 - RIPPLE REJECTION AS A FUNCTION OF OUTPUT VOLTAGE

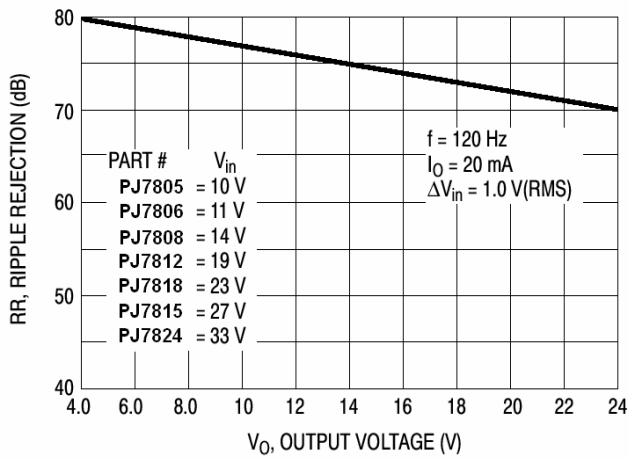
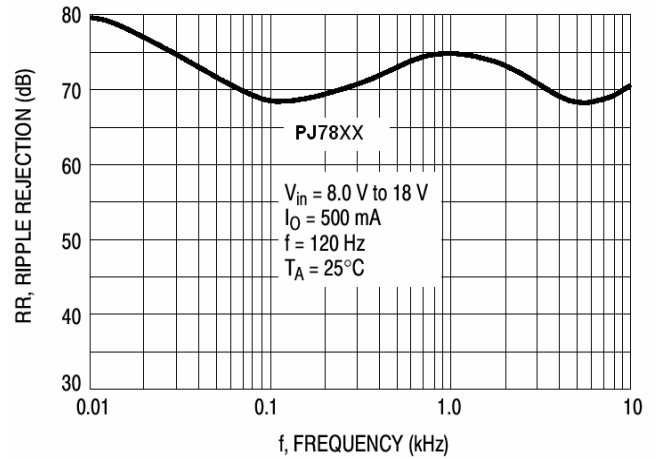


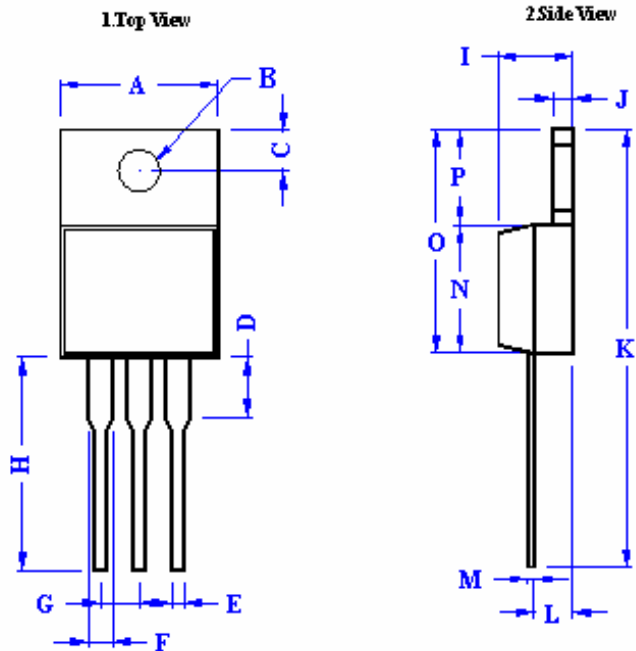
FIGURE 8 - RIPPLE REJECTION AS A FUNCTION OF FREQUENCY



3-Terminal Fixed Voltage Positive Regulators

TO-220 Mechanical drawing

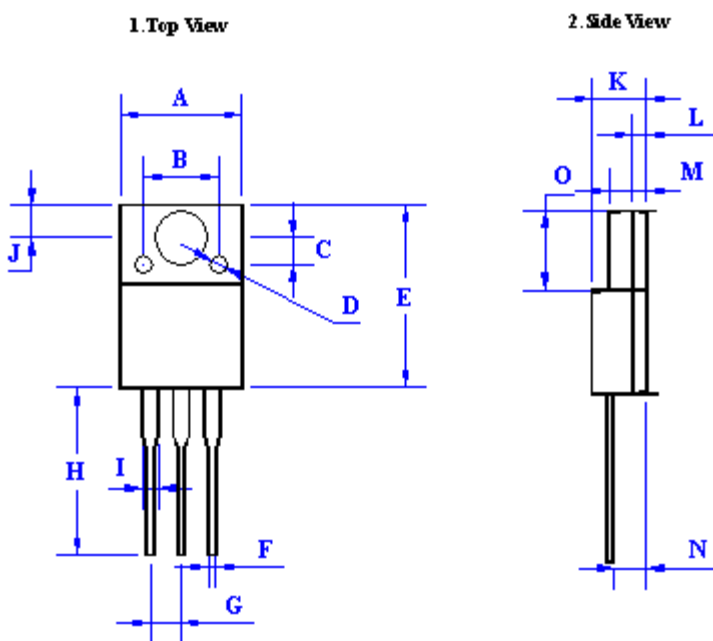
TO-220 Unit:mm



TO-220 DIMENSION				
DIM	MILLIMETERS		INCHES	
	MIN	MAX	MIN	MAX
A	10.00	10.50	0.394	0.413
B	3.24	4.44	0.128	0.175
C	2.44	2.94	0.096	0.116
D	3.565	4.315	0.140	0.170
E	0.68	0.92	0.027	0.036
F	1.115	1.485	0.044	0.058
G	2.345	2.715	0.092	0.107
H	13.49	14.31	0.531	0.563
I	4.475	5.225	0.176	0.206
J	1.15	1.39	0.045	0.055
K	27.78	29.62	1.094	1.166
L	2.175	2.925	0.086	0.115
M	0.297	0.477	0.012	0.019
N	8.28	8.80	0.326	0.346
O	14.29	15.31	0.563	0.603
P	6.01	6.51	0.237	0.256

TO-220F Mechanical drawing

TO-220F Unit:mm



TO-220F DIMENSION				
DIM	MILLIMETERS		INCHES	
	MIN	MAX	MIN	MAX
A	9.9	10.1	0.390	0.398
B	6.2	6.2	0.244	0.244
C	2.2	2.2	0.087	0.087
D	Φ1.4	Φ1.4	Φ0.055	Φ0.055
E	15.0	15.2	0.591	0.598
F	0.48	0.72	0.019	0.028
G	2.355	2.725	0.093	0.107
H	13.49	14.31	0.531	0.563
I	1.115	1.485	0.044	0.058
J	2.6	2.8	0.102	0.110
K	4.4	4.6	0.173	0.181
L	1.115	1.15	0.045	0.045
M	2.95	3.15	0.116	0.124
N	2.6	2.8	0.102	0.110
O	6.55	6.65	0.258	0.262