



PJU2NA90 / PJP2NA90 / PJF2NA90 / PJD2NA90

900V N-Channel MOSFET

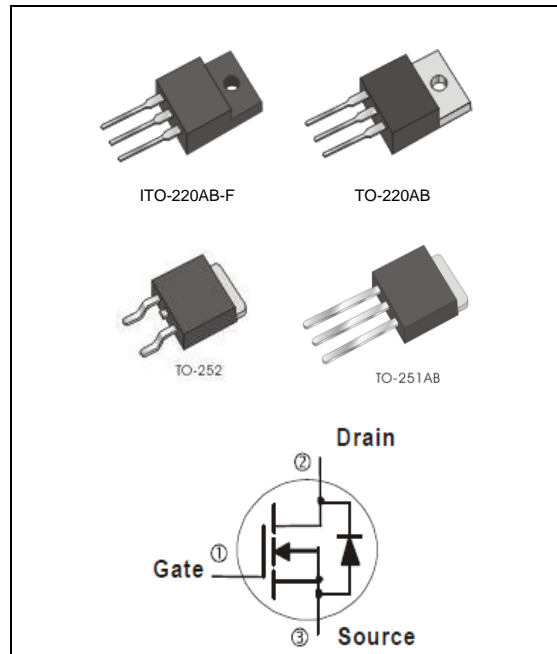
Voltage	900 V	Current	2 A
----------------	--------------	----------------	------------

Features

- $R_{DS(ON)}, V_{GS}@10V, I_D@1A < 6.4\Omega$
- High switching speed
- Improved dv/dt capability
- Low Gate Charge
- Low reverse transfer capacitance
- Lead free in compliance with EU RoHS 2011/65/EU directive.
- Green molding compound as per IEC61249 Std.
(Halogen Free)

Mechanical Data

- Case : TO-251AB , TO-220AB, ITO-220AB-F, TO-252 Package
- Terminals : Solderable per MIL-STD-750, Method 2026
- TO-251AB Approx. Weight : 0.0104 ounces, 0.297grams
- TO-220AB Approx. Weight : 0.0667 ounces, 1.89 grams
- ITO-220AB-F Approx. Weight : 0.068 ounces, 2 grams
- TO-252 Approx. Weight : 0.0104 ounces, 0.297grams



Maximum Ratings and Thermal Characteristics ($T_A=25^\circ\text{C}$ unless otherwise noted)

PARAMETER		SYMBOL	TO-251AB	TO-220AB	ITO-220AB-F	TO-252	UNITS
Drain-Source Voltage		V_{DS}	900				V
Gate-Source Voltage		V_{GS}	± 30				V
Continuous Drain Current		I_D	2				A
Pulsed Drain Current		I_{DM}	8				A
Single Pulse Avalanche Energy ^(Note 1)		E_{AS}	148				mJ
Power Dissipation	$T_C=25^\circ\text{C}$	P_D	50	80	39	50	W
	Derate above 25°C		0.4	0.64	0.31	0.4	W/ $^\circ\text{C}$
Operating Junction and Storage Temperature Range		T_J, T_{STG}	-55~150				$^\circ\text{C}$
Typical Thermal resistance							
- Junction to Case		$R_{\theta JC}$	2.5	1.56	3.21	2.5	$^\circ\text{C}/\text{W}$
- Junction to Ambient		$R_{\theta JA}$	110	62.5	120	110	

- Limited only By Maximum Junction Temperature



PJU2NA90 / PJP2NA90 / PJF2NA90 / PJD2NA90

Electrical Characteristics ($T_A=25^\circ\text{C}$ unless otherwise noted)

PARAMETER	SYMBOL	TEST CONDITION	MIN.	TYP.	MAX.	UNITS
Static						
Drain-Source Breakdown Voltage	BV_{DSS}	$V_{GS}=0V, I_D=250\mu A$	900	-	-	V
Gate Threshold Voltage	$V_{GS(th)}$	$V_{DS}=V_{GS}, I_D=250\mu A$	2	2.9	4	V
Drain-Source On-State Resistance	$R_{DS(on)}$	$V_{GS}=10V, I_D=1A$	-	5.4	6.4	Ω
Zero Gate Voltage Drain Current	I_{DSS}	$V_{DS}=900V, V_{GS}=0V$	-	0.03	1.0	μA
Gate-Source Leakage Current	I_{GSS}	$V_{GS}=\pm 30V, V_{DS}=0V$	-	± 10	± 100	nA
Diode Forward Voltage	V_{SD}	$I_S=2A, V_{GS}=0V$	-	0.83	1.4	V
Dynamic						
Total Gate Charge	Q_g	$V_{DS}=720V, I_D=2A,$ $V_{GS}=10V$ (Note 2,3)	-	11.1	-	nC
Gate-Source Charge	Q_{gs}		-	2.5	-	
Gate-Drain Charge	Q_{gd}		-	4.6	-	
Input Capacitance	C_{iss}	$V_{DS}=25V, V_{GS}=0V,$ $f=1.0\text{MHz}$	-	396	-	pF
Output Capacitance	C_{oss}		-	46	-	
Reverse Transfer Capacitance	C_{rss}		-	0.6	-	
Switching						
Turn-On Delay Time	$t_{d(on)}$	$V_{DD}=450V, I_D=2A,$ $R_G=25\Omega$ (Note 2,3)	-	8.5	-	ns
Turn-On Rise Time	t_r		-	22	-	
Turn-Off Delay Time	$t_{d(off)}$		-	22	-	
Turn-Off Fall Time	t_f		-	26	-	
Drain-Source Diode						
Maximum Continuous Drain-Source Diode Forward Current	I_S	---	-	-	2	A
Maximum Pulsed Drain-Source Diode Forward Current	I_{SM}	---	-	-	8	A
Reverse Recovery Time	t_{rr}	$V_{GS}=0V, I_S=2A$	-	245	-	ns
Reverse Recovery Charge	Q_{rr}	$di_f/dt=100A/\mu s$ (Note 2)	-	1.63	-	μC

NOTES :

1. $L=30\text{mH}, I_{AS}=3.1A, V_{DD}=50V, R_G=25\text{ohm},$ Starting $T_J=25^\circ\text{C}$
2. Pulse width $\leq 300\mu s,$ Duty cycle $\leq 2\%$
3. Essentially independent of operating temperature typical characteristics.



PJU2NA90 / PJP2NA90 / PJF2NA90 / PJD2NA90

TYPICAL CHARACTERISTIC CURVES

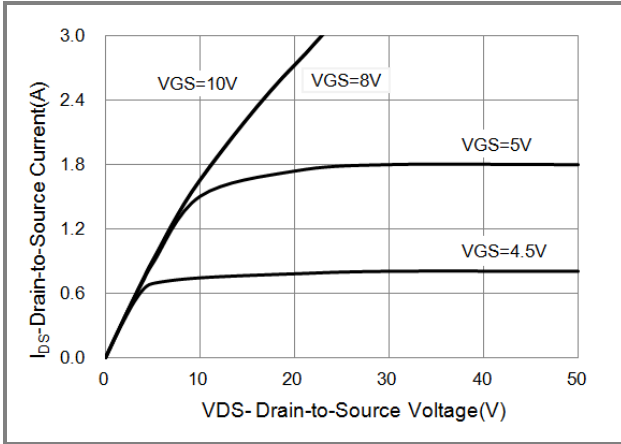


Fig.1 Output Characteristics

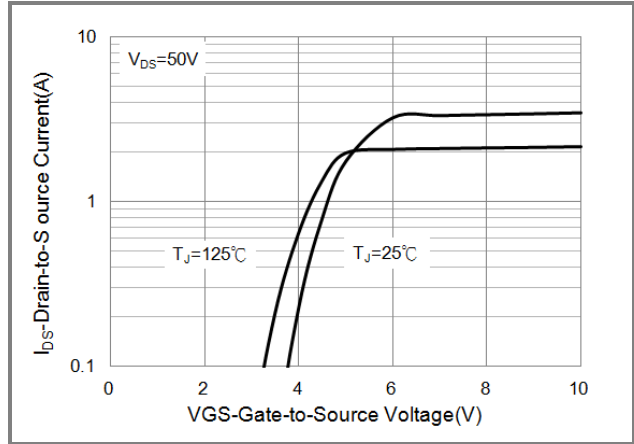


Fig.2 Transfer Characteristics

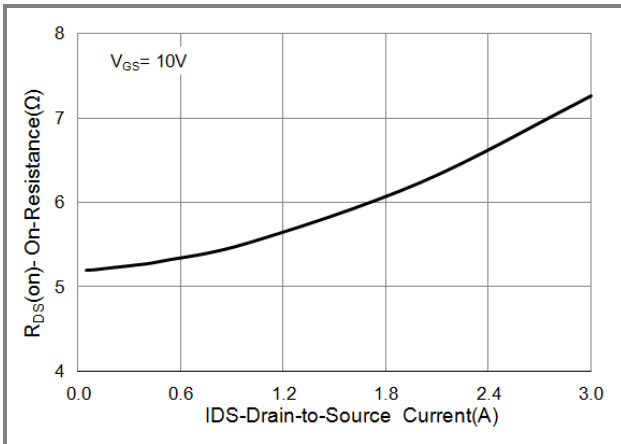


Fig.3 On-Resistance vs. Drain Current

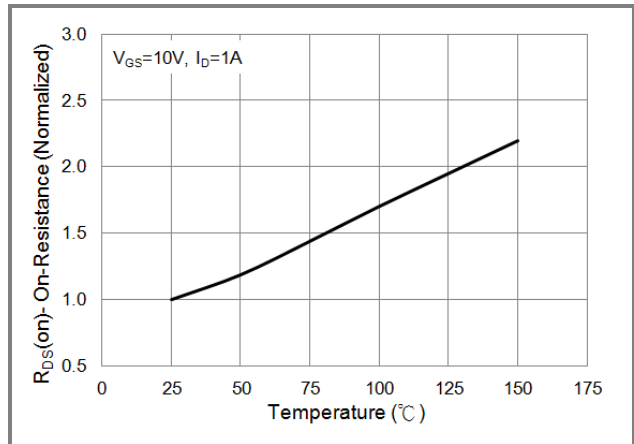


Fig.4 On-Resistance vs. Junction Temperature

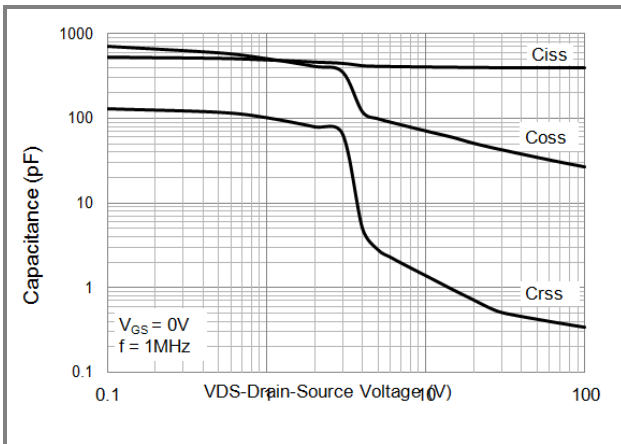


Fig.5 Capacitance vs. Drain-Source Voltage

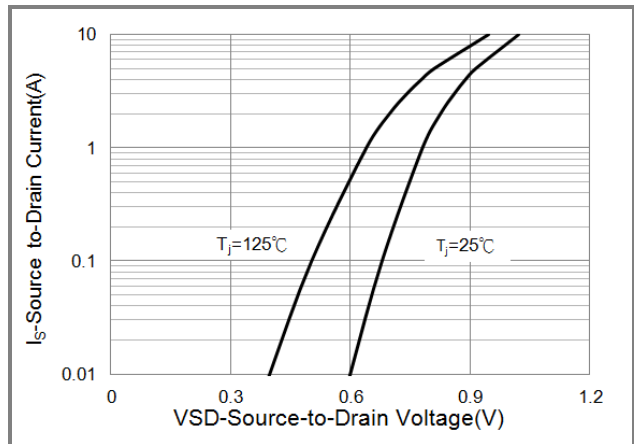


Fig.6 Source-Drain Diode Forward Voltage



PJU2NA90 / PJP2NA90 / PJF2NA90 / PJD2NA90

TYPICAL CHARACTERISTIC CURVES

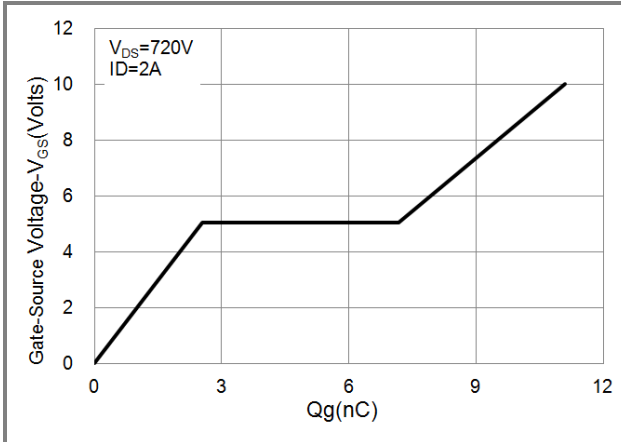


Fig.7 Gate Charge

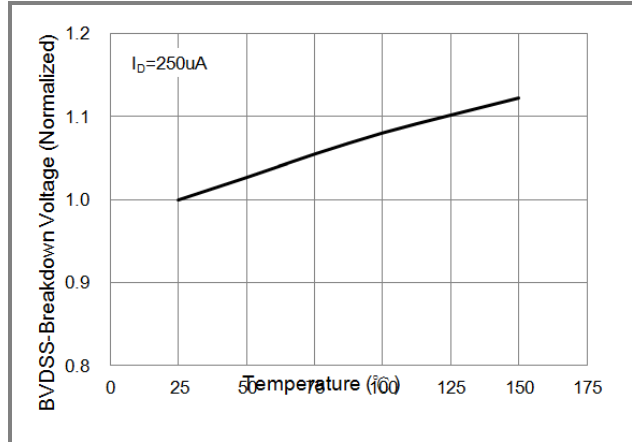


Fig.8 BV_{DS} vs. Junction Temperature

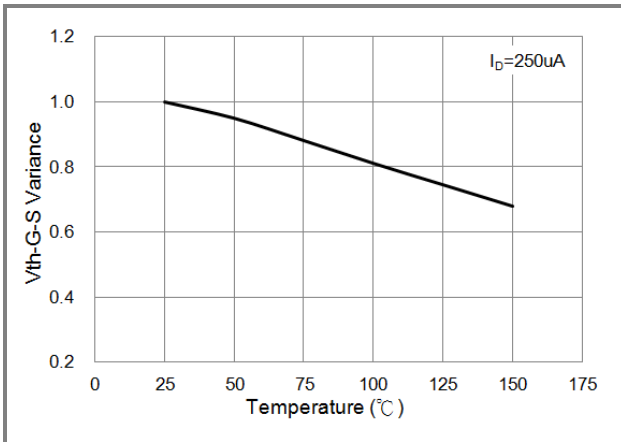


Fig.9 Threshold Voltage Variation with Temperature

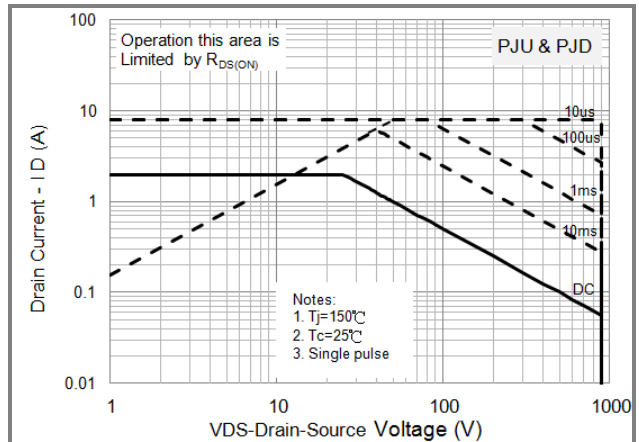


Fig.10 Maximum Safe Operating Area

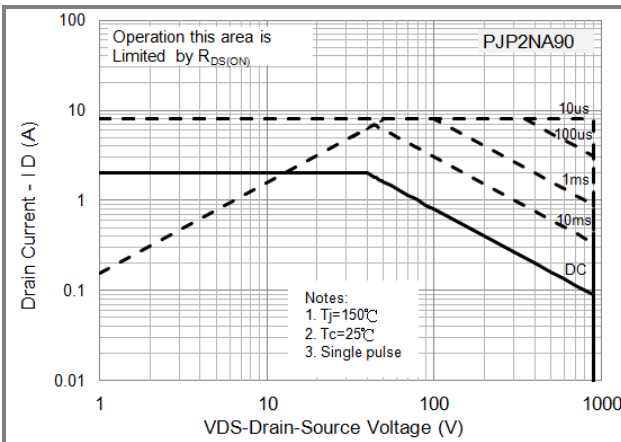


Fig.11 Maximum Safe Operating Area

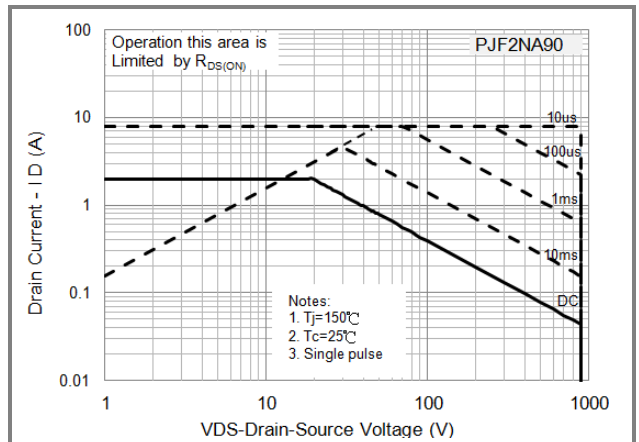


Fig.12 Maximum Safe Operating Area



PJU2NA90 / PJP2NA90 / PJF2NA90 / PJD2NA90

TYPICAL CHARACTERISTIC CURVES

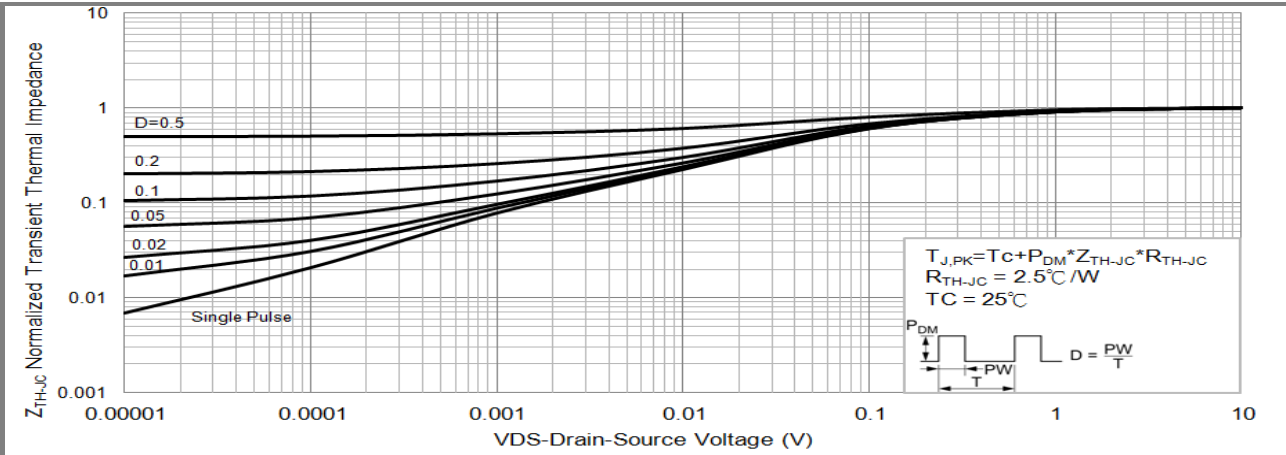


Fig.13 PJU/PJD Normalized Transient Thermal Impedance vs. Pulse Width

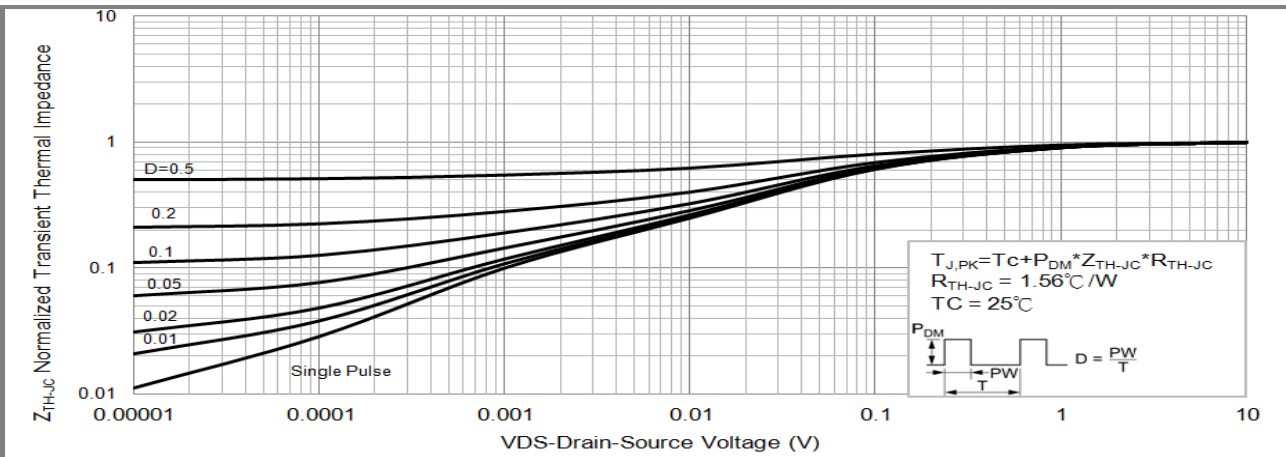


Fig.14 PJP2NA90 Normalized Transient Thermal Impedance vs. Pulse Width

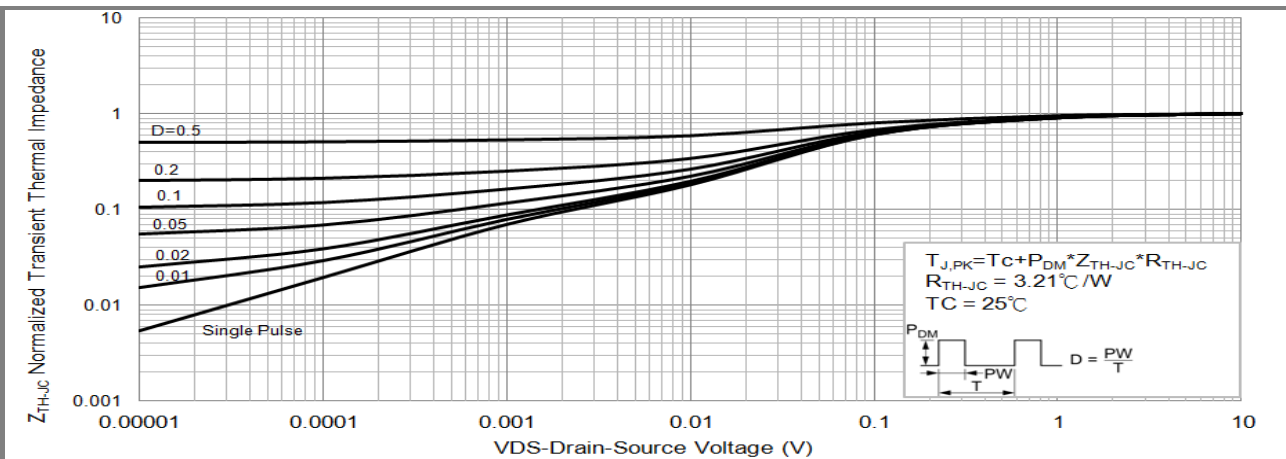
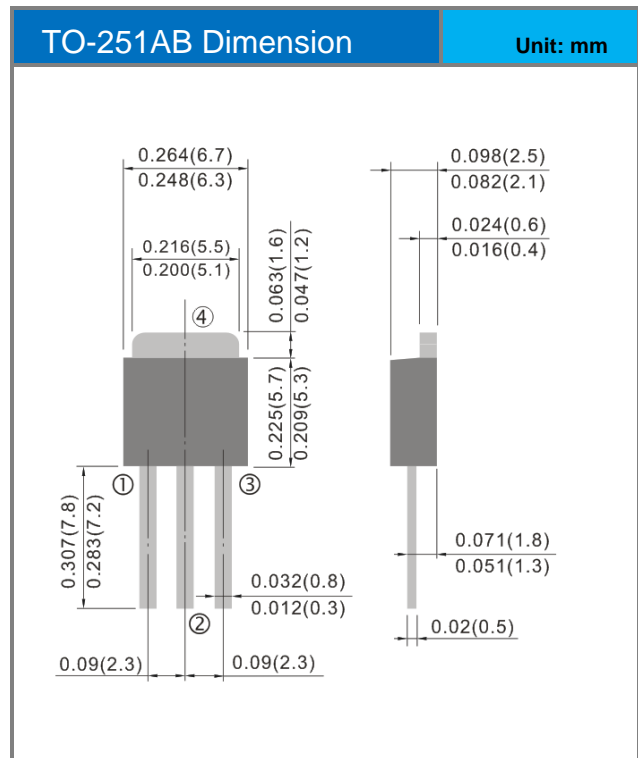
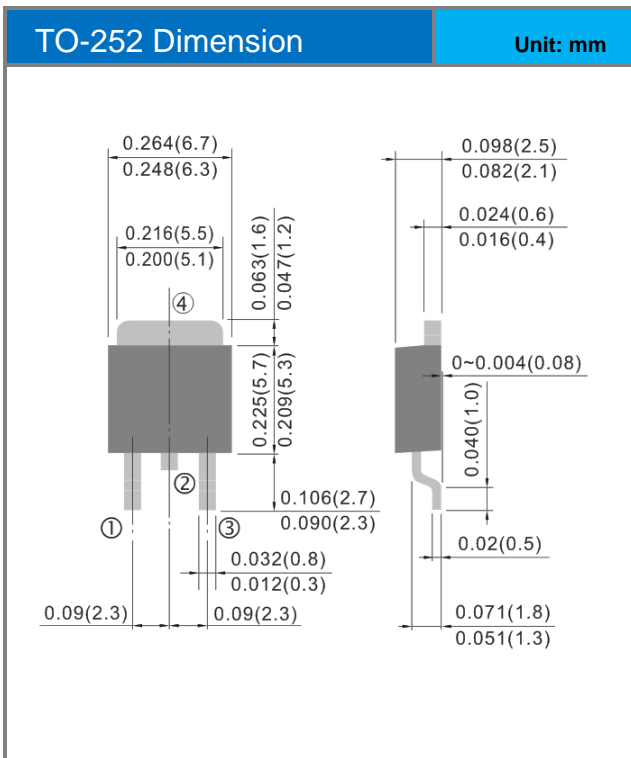
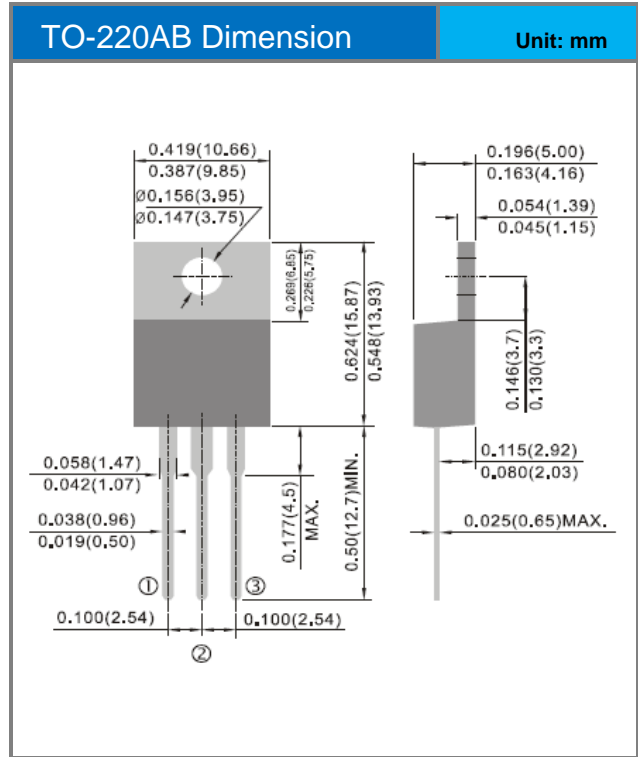
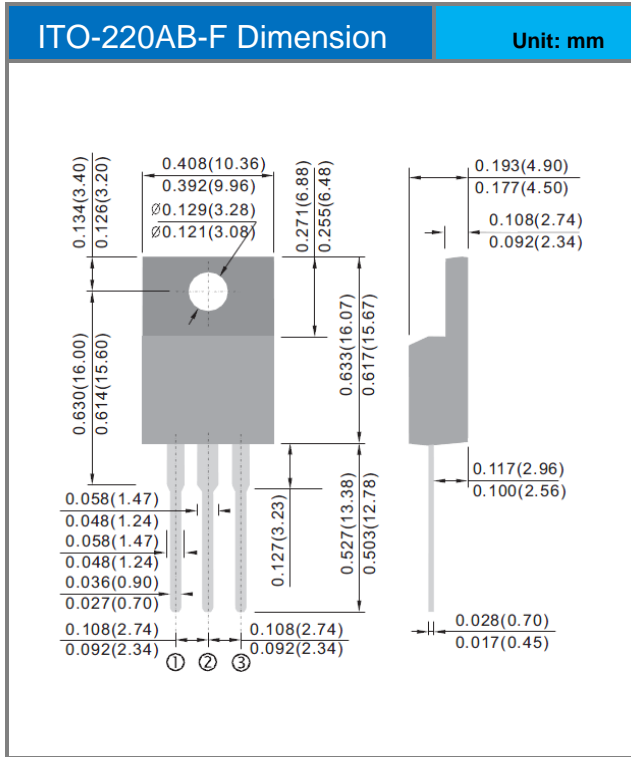


Fig.15 PJF2NA90 Normalized Transient Thermal Impedance vs. Pulse Width



PJU2NA90 / PJP2NA90 / PJF2NA90 / PJD2NA90

Packaging Information





PJU2NA90 / PJP2NA90 / PJF2NA90 / PJD2NA90

PART NO PACKING CODE VERSION

Part No Packing Code	Package Type	Packing type	Marking	Version
PJU2NA90_T0_00001	TO-251AB	80pcs / Tube	U2NA90	Halogen free
PJP2NA90_T0_00001	TO-220AB	50pcs / Tube	P2NA90	Halogen free
PJF2NA90_T0_00001	ITO-220AB-F	50pcs / Tube	F2NA90	Halogen free
PJD2NA90_L2_00001	TO-252	3,000pcs / 13" reel	D2NA90	Halogen free



PJU2NA90 / PJP2NA90 / PJF2NA90 / PJD2NA90

Disclaimer

- Reproducing and modifying information of the document is prohibited without permission from Panjit International Inc..
- Panjit International Inc. reserves the rights to make changes of the content herein the document anytime without notification. Please refer to our website for the latest document.
- Panjit International Inc. disclaims any and all liability arising out of the application or use of any product including damages incidentally and consequentially occurred.
- Panjit International Inc. does not assume any and all implied warranties, including warranties of fitness for particular purpose, non-infringement and merchantability.
- Applications shown on the herein document are examples of standard use and operation. Customers are responsible in comprehending the suitable use in particular applications. Panjit International Inc. makes no representation or warranty that such applications will be suitable for the specified use without further testing or modification.
- The products shown herein are not designed and authorized for equipments requiring high level of reliability or relating to human life and for any applications concerning life-saving or life-sustaining, such as medical instruments, transportation equipment, aerospace machinery et cetera. Customers using or selling these products for use in such applications do so at their own risk and agree to fully indemnify Panjit International Inc. for any damages resulting from such improper use or sale.
- Since Panjit uses lot number as the tracking base, please provide the lot number for tracking when complaining.