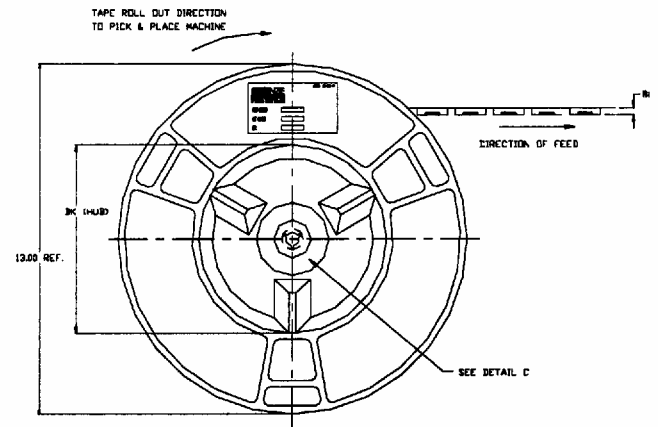
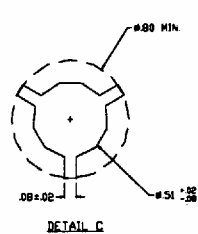
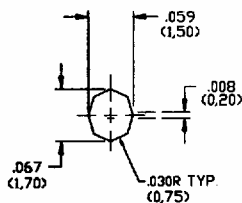
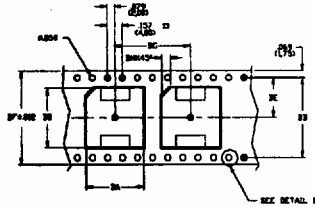
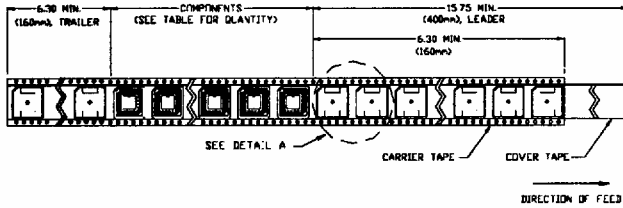


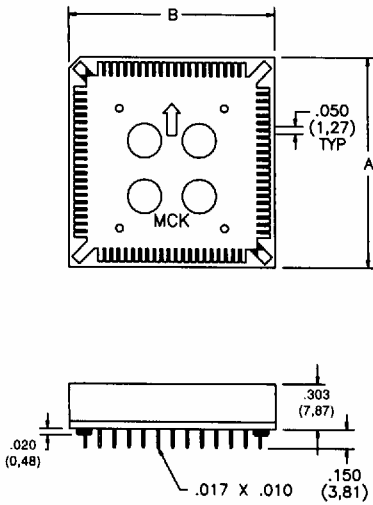
PCB Pad Layout



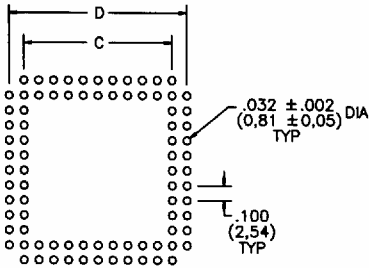
- Center pad provides area for pick-and-place
- Windows allow visual inspection and repair access for all solder joints
- Socket accepts standard JEDEC devices
- Optional alignment peg for positive positioning
- Molded of high temperature PPS.

PART NUMBER	NO. OF LEADS	A ±.008(.20)	B ±.008(.20)	C ±.008(.20)	D ±.008(.20)	E ±.008(.20)	F ±.008(.20)	G ±.008(.20)	TUBE QTY.	REEL QTY.	BA	BB	BD	BE	BF	BG	BH	BJ	BK	BL
PLCC-20P-T-SMT	20	.600 (15,24)	.600 (15,24)	.200 (5,08)	.200 (5,08)	.334 (8,48)	.334 (8,48)	.500 (12,70)	37	490	.630 (16,00)	.630 (16,00)	----	.453 (11,50)	.945 (24,00)	.945 (24,00)	.059 (1,50)	.976 (24,80)	4.00 (100,0)	.220 (5,58)
PLCC-28P-T-SMT	28	.700 (17,78)	.700 (17,78)	.300 (7,62)	.300 (7,62)	.434 (11,02)	.434 (11,02)	.600 (15,24)	32	400	.732 (18,60)	.732 (18,60)	1.118 (28,40)	.559 (14,20)	1.260 (32,00)	.945 (24,00)	.094 (2,40)	1.291 (32,80)	4.00 (100,0)	.252 (6,40)
PLCC-32P-T-SMT	32	.700 (17,78)	.800 (20,32)	.300 (7,62)	.400 (10,16)	.434 (11,02)	.534 (13,56)	.700 (17,78)	28	400	.740 (18,80)	.839 (21,30)	1.118 (28,40)	.559 (14,20)	1.260 (32,00)	.945 (24,00)	.098 (2,50)	1.291 (32,80)	4.00 (100,0)	.252 (6,40)
PLCC-44P-T-SMT	44	.900 (22,86)	.900 (22,86)	.500 (12,70)	.500 (12,70)	.634 (16,10)	.634 (16,10)	.800 (20,32)	25	250	.937 (23,80)	.937 (23,80)	1.591 (40,40)	.795 (20,20)	1.732 (44,00)	1.260 (32,00)	.098 (2,50)	1.764 (44,80)	7.00 (177,8)	.252 (6,40)
PLCC-52P-T-SMT	52	1.000 (25,40)	1.000 (25,40)	.600 (15,24)	.600 (15,24)	.734 (18,64)	.734 (18,64)	.900 (22,86)	23	250	1.031 (26,20)	1.031 (26,20)	1.591 (40,40)	.795 (20,20)	1.732 (44,00)	1.260 (32,00)	.098 (2,50)	1.764 (44,80)	7.00 (177,8)	.252 (6,40)
PLCC-68P-T-SMT	68	1.213 (30,81)	1.213 (30,81)	.800 (20,32)	.800 (20,32)	.934 (23,72)	.934 (23,72)	1.100 (27,94)	18	220	1.236 (31,40)	1.236 (31,40)	1.591 (40,40)	.795 (20,20)	1.732 (44,00)	1.417 (36,00)	.098 (2,50)	1.764 (44,80)	7.00 (177,8)	.252 (6,40)
PLCC-84P-T-SMT	84	1.413 (35,89)	1.413 (35,89)	1.000 (25,40)	1.000 (25,40)	1.134 (28,80)	1.134 (28,80)	1.300 (33,02)	16	220	1.429 (36,30)	1.429 (36,30)	2.063 (52,40)	1.031 (26,20)	2.205 (56,00)	1.575 (40,00)	.098 (2,50)	2.236 (56,80)	7.00 (177,8)	.252 (6,40)

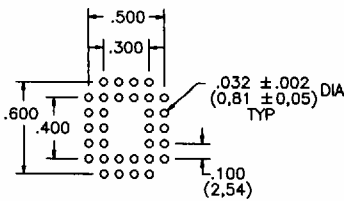
* Add — P to P/N for alignment pegs, ie: PLCC- 44P- T- SMT- P



PCB HOLE LAYOUT



All sizes (Except 32 Position)



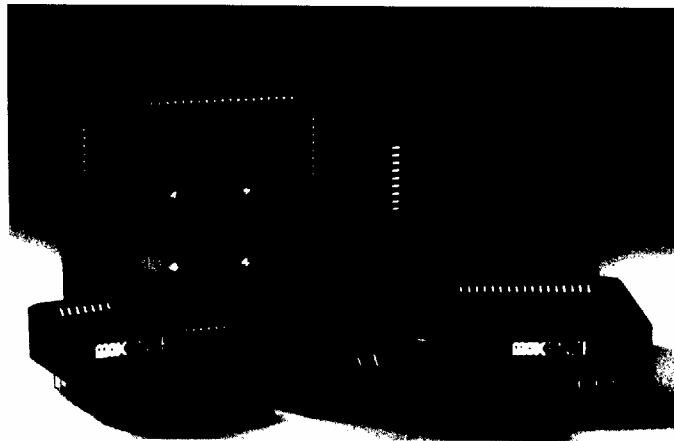
32 Position (Only)

Technical Specifications

Operating Temp Range: -55°C to +125°C
 Current Rating: 1 A
 Capacitance: 1.0 picofarads (max.)
 Contact Resistance: 30 Milliohms (max.)
 Insulation Resistance: 1000 Megohms (min.)
 Withstanding Voltage: 600 V AC

Material Specifications

Socket Body: Hi-Temp PPS, UL 94V-0, 220°C
 Contact: Phosphor Bronze Alloy 5210, full hard
 Plating: .000150" Tin/.000040" Nickel (min.)



Sizes: 20, 28, 32, 44, 52, 68, 84 and 100 pin

Plastic Leaded Chip Carrier Sockets

- Conforms to EIA JEDEC outline for Plastic Leaded Chip Carriers on .050" (1,27) centers
- Phosphor bronze contacts with 150µ" tin plating over a 40µ" nickel barrier
- High temperature PPS thermoplastic (UL 94V-0) is infrared and vapor phase compatible
- Easy to use extraction tool provides positive protection for both chip carrier and device during removal — see pg. G2
- Closed bottom prevents solder wicking and bridging
- Open center and standoff provide for thorough cleaning after soldering
- Converts the .050" (1,27) PLCC spacing to .100" (2,54) PC board spacing
- Easy access for testing single contacts
- Polarization indicators assure positive chip carrier orientation



Dimensional Specifications for ordering PLCC

PART NUMBER	NO. POS.	A	B	C	D	TUBE QTY.
PLCC-20P-T	20	.613 (15,57)	.613 (15,57)	.200 (5,08)	.400 (10,16)	37
PLCC-28P-T	28	.713 (18,11)	.713 (18,11)	.300 (7,62)	.500 (12,70)	32
PLCC-32P-T	32	.795 (20,19)	.700 (17,78)	.300 (7,62)	.500 (12,70)	28
PLCC-44P-T	44	.913 (23,19)	.913 (23,19)	.500 (12,70)	.700 (17,78)	25
PLCC-52P-T	52	1.060 (26,92)	1.060 (26,92)	.600 (15,24)	.800 (20,32)	21
PLCC-68P-T-2	68	1.217 (30,91)	1.217 (30,91)	.800 (20,32)	1.000 (25,40)	18
PLCC-84P-T-2	84	1.417 (35,99)	1.417 (35,99)	1.000 (25,40)	1.200 (30,48)	16
PLCC-100P-T	100	1.663 (42,24)	1.663 (42,24)	1.200 (30,48)	1.400 (35,56)	13

See page H1 for footprint compatible Surface Mount Sockets