

MATERIAL

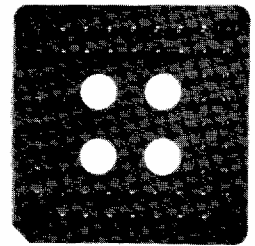
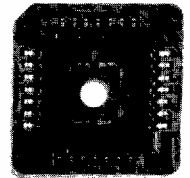
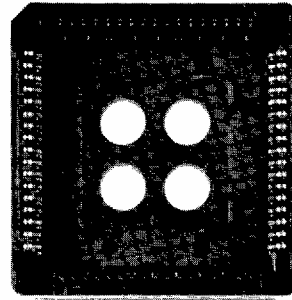
Insulator: Brown PPS (UL94V-0)
Contact: Phosphor Bronze
Contact Plating: Tin or Gold Over Nickel (see "Plating Option" below)

SPECIFICATIONS

Current Rating: 1A Min
Insulator Resistance: 1000 M Ω at 500V DC
Contact Resistance: 30 m Ω Max
Voltage Rating: AC 500V
Operating Temperature: -55°C - +115°C

FEATURES

- ◆ Accepts JEDEC type A leaded chip carrier
- ◆ Low profile type
- ◆ Special contact design for high reliability and good withstanding to vibration and shock
- ◆ Solder tails are positioned on 2.54mm/.100" square grid
- ◆ Stand-off's for cleaning and heat dissipation
- ◆ Visual polarization for easy assembly
- ◆ Black PBT insulator available upon request
- ◆ Surface mount version also available (see **PLCCSM Series**)



HOW TO ORDER:

□ - □ - □
1 2 3

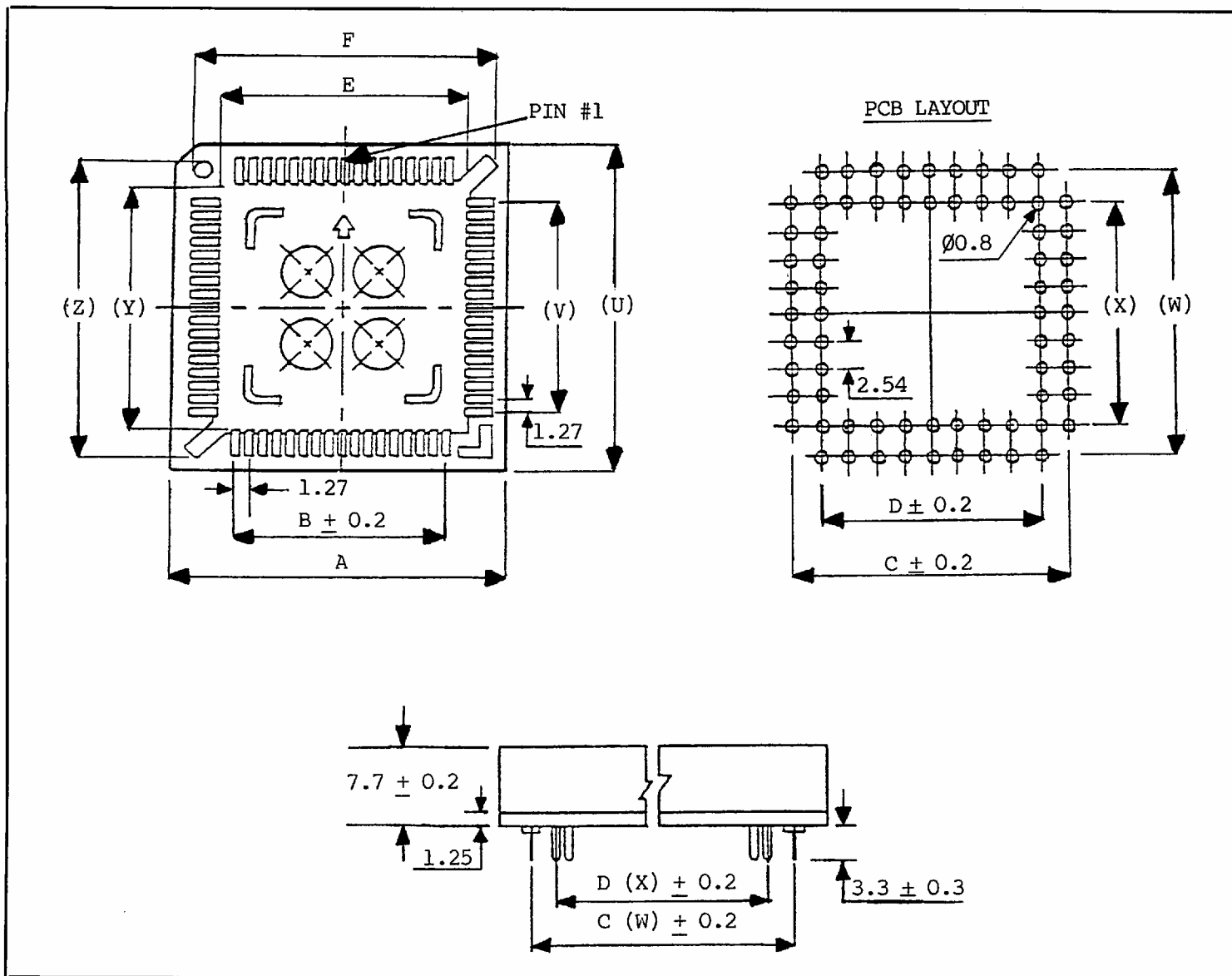
1. **SERIES**
PLCC = PLCC Socket, Through Hole

2. **POSITION**
20 = 20 Position
28 = 28 Position
32 = 32 Position
44 = 44 Position
52 = 52 Position
68 = 68 Position
84 = 84 Position

3. **PLATING OPTION**

T = Tin
G = Full Gold Flash
G15 = Full Gold, 15 μ "
G30 = Full Gold, 30 μ "
SG = Selective Gold Flash
SG15 = Selective Gold, 15 μ "
SG30 = Selective Gold, 30 μ "
SG50 = Selective Gold, 50 μ "

SPECIFICATIONS:



DIMENSIONS:

POSITION	A	B	C	D	E	F
20	15.56	5.08	10.16	5.08	9.60	13.76
28	18.10	7.62	12.70	7.62	11.90	21.34
*32	20.64	10.16	15.24	12.70	14.44	18.84
44	23.06	12.70	17.78	12.70	16.98	21.34
52	25.60	15.24	20.32	15.24	19.42	23.88
68	31.60	20.32	25.40	20.32	24.60	29.00
84	36.68	25.40	30.48	25.40	29.68	34.08

*32 POSITION (ONLY)	
(U)	18.10
(V)	7.62
(W)	12.70
(X)	7.62
(Y)	11.90
(Z)	16.30

ENGINEERS: For detailed Data Sheets, including *tolerances*, see pages 157 & 159 or call us!