



## PM033-115-8025B-4 PM033-230-8025B-4

### Features

**Size:** 80 x 80 x 25 mm (3.2" x 3.2" x 1.0")

**Airflow:** 33 CFM

**Weight:** 200 grams (8 oz)

**Noise:** 33 dBA (avg.)

**Lead Wire:** AWG22

**Impeller:** Reinforced Plastic (94V-0)

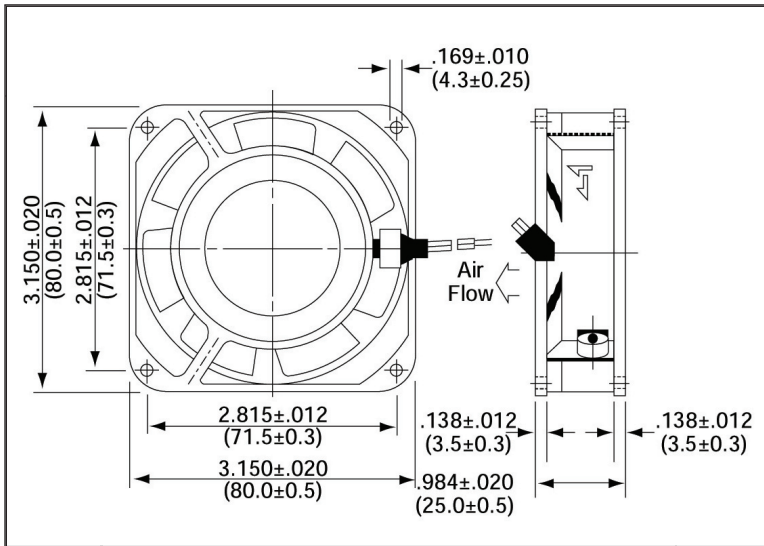
**Frame:** Aluminum Alloy

**Bearings:** Ball Sleeve

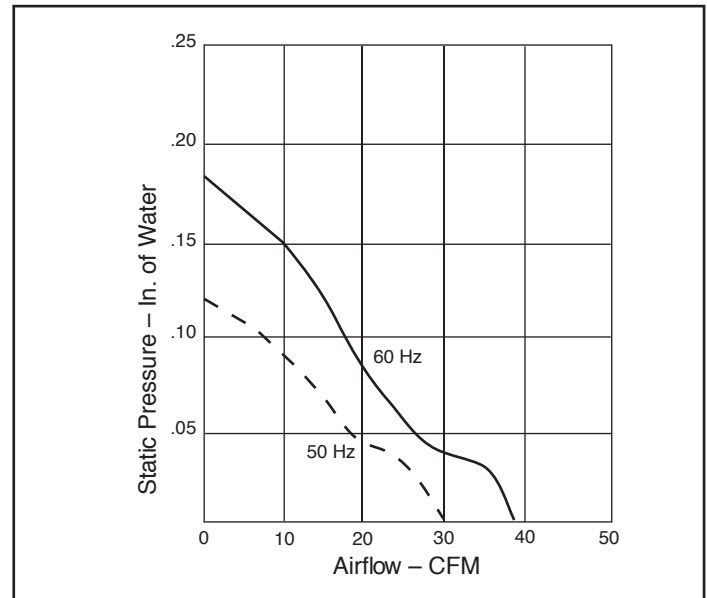
 UL E101153

 CUL E10115

### Dimensions – inches mm



### Air Flow vs. Air Pressure



### Absolute Maximum Ratings

Type	Rated Voltage (V)	Operating Frequency (Hz)	Input Power (W) (@ 60 Hz)	Max Air Flow (CFM)	Max Air Pressure (in H <sub>2</sub> )	Max Noise* (dBA)	Operating Temperature (°C)	Life Expectancy (Hr) (@ 40 °C)
PM033-115-8025B-4	115	50/60	10	33	0.18	33	-20 ~ +85	60,000
PM033-230-8025B-4	230	50/60	10	33	0.18	33	-20 ~ +85	60,000

\*Measured 1 m from intake