

For Use with Transceivers Requiring 1:1 Transmit and Receive Turns Ratios

◆ Compliant with IEEE 802.3u and ANSI X3.263

Standards including 350 μH OCL with 8mA Bias

◆ Some models offer Auto MDIX capability

◆ Remark: Contact PPT for further requirements



Electrical specifications @25°C -operating temperature: 0°C to70°C

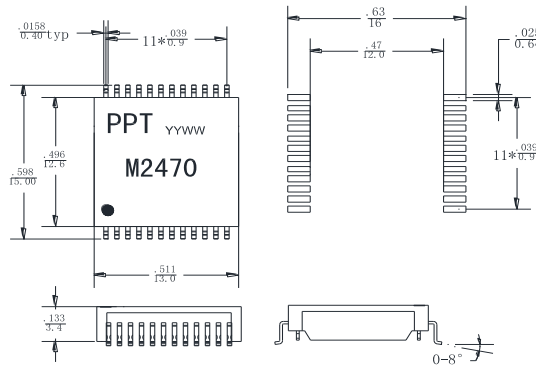
Part Number	Turns Ratio ($\pm 5\%$)	OCL (μH Min.)	L.L (μH Max.)	Cw/w (PF Max.)	DCR (Ω Max.)	Hi-pot (Vrms)
PM2470	1CT:1CT	350	0.5	35	1.2	1500

Part Number	Insertion Loss (dB Typ.)	Return Loss (dB Min.)				Crosstalk (dB TYP)			DCMR (dB Typ.)	
		1-100MHz	1-30MHz	30-60MHz	60-80MHz	1-30MHz	60MHz	100MHz	1-50MHz	50-200MHz
PM2470	-1.2	-18	-14	-12	-60	-40	-35	-45	-35	

Note: 1.Test condition: Line Side Inductance @100KHz, 100mV with 8mA DC Bias

Mechanicals

PM2470



REMARKS:
dimension: $\frac{\text{inches}}{\text{mm}}$
unless otherwise specified, all tolerances are: $\pm \frac{0.01}{0.25}$

Schematics

PM2470

