

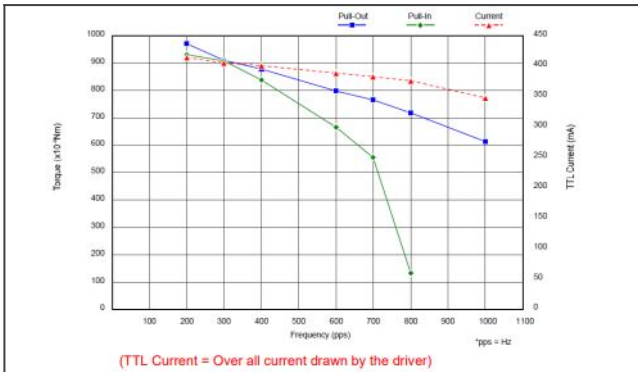
**PM42L-048-HHC9 product picture**



**PM42L-048 product picture**

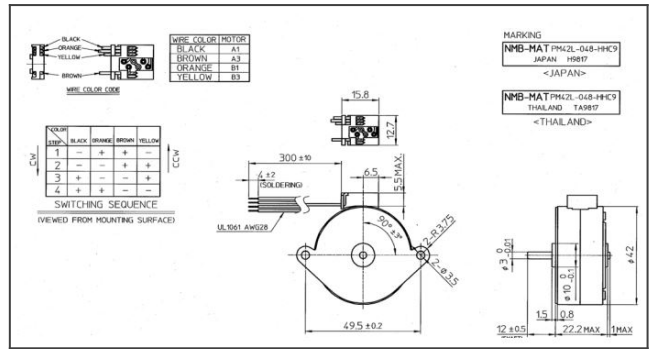


**PM42L-048-HHC9 graph**

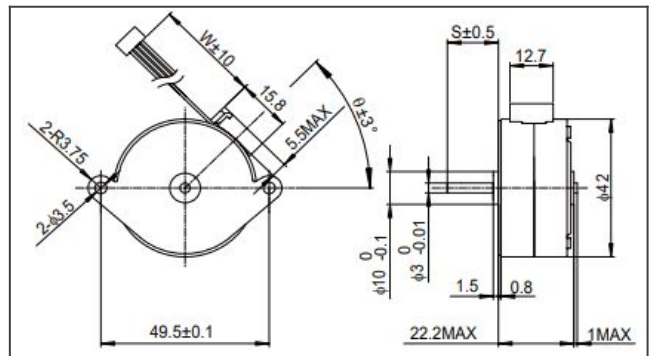


Frequency (pps)	200	300	400	600	700	800	1000
■ Pull-Out (x10 <sup>4</sup> Nm)	968.0	909.1	875.8	796.3	764.0	716.9	611.0
◆ Pull-In (x10 <sup>4</sup> Nm)	928.7	906.2	837.5	663.9	553.1	131.4	
▲ Current (mA)	414	405	400	388	382	375	347

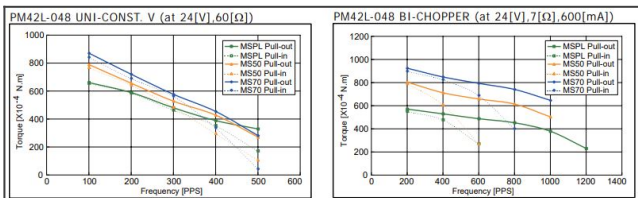
**PM42L-048-HHC9 product drawing**



**PM42L-048 product drawing**



**PM42L-048 graph**



Permanent Magnet Motors

## Detailed Specifications

<b>PM Type:</b>	Standard
<b>Motor Size:</b>	42
<b>Drive Method:</b>	2 - 2 phase
<b>Drive Circuit:</b>	Bipolar Chopper
<b>Drive Voltage:</b>	24
<b>Current / Phase:</b>	600
<b>Coil Resistance / Phase:</b>	7
<b>Drive IC:</b>	UDN2917EB
<b>Magnet Material:</b>	MS70M
<b>Step Angle:</b>	7.5