

Features:

- ◆ Meet The Isolation, Insertion Loss and Return Loss Requirements of IEEE802.3
- ◆ Available Industry Standard and Low Profile Packages
- ◆ Isolation Modules are Available for Most LAN IC Manufacture's Products
- ◆ Contact PPT For Further Requirements

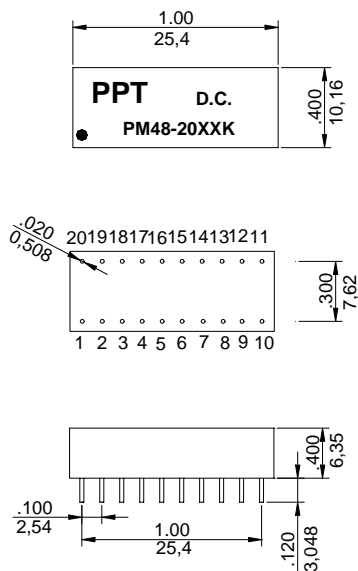
Electrical specifications @25°C-operating temperature: 0°C to 70°C

Part Number	Turns Ratio		OCL μ H MIN 100KHz	Cw/w (pF)	DCR (Ω MAX)	Return Loss		
	TX	RX				1~30MHz	30-60MHz	60~80MHz
PM48-2064K	1CT:1CT	1CT:1CT	350	20	0.9	-18dB Min	-14dB Min	-12dB Min
PM48-2030K	1CT:1CT	1CT:1CT	350	20	0.9	-15.5dB Min	-13.6dB Min	-10dB Min

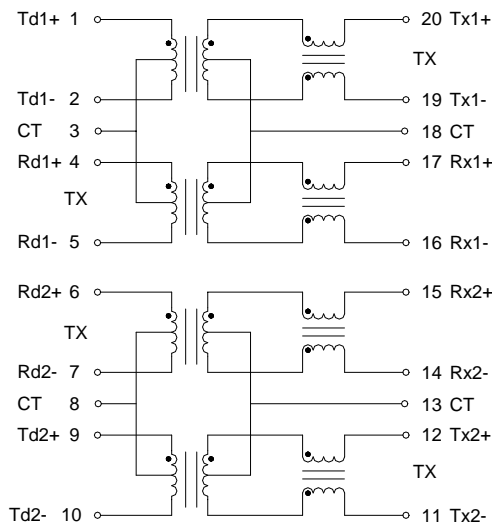
Part Number	Isolation Voltage (Vrms)	Leakage Inductance (μ H MAX)	CMR (dB TYP)	Cross Talk	Insertion Loss	Isolation Resistance	Sch
		1MHz	0.1~100MHz	0.1~100MHz	1~100MHz	M Ω	
PM48-2064K	1500	0.4	-40	-38	-1.15	10000	1
PM48-2030K	1500	0.4	-40	-38	-1.15	10000	2

Mechanicals

Schematic



Package 1



Package 2

