

# PM600DVA060

FLAT-BASE TYPE  
INSULATED PACKAGE

## PM600DVA060



### FEATURE

- 1φ 600A, 600V Current-sense IGBT for 20kHz switching
- Monolithic gate drive & protection logic
- Detection, protection & status indication circuits for over-current, short-circuit, over-temperature & under-voltage (P-Fo available from upper leg devices)
- Acoustic noise-less 55kW class inverter application
- UL Recognized

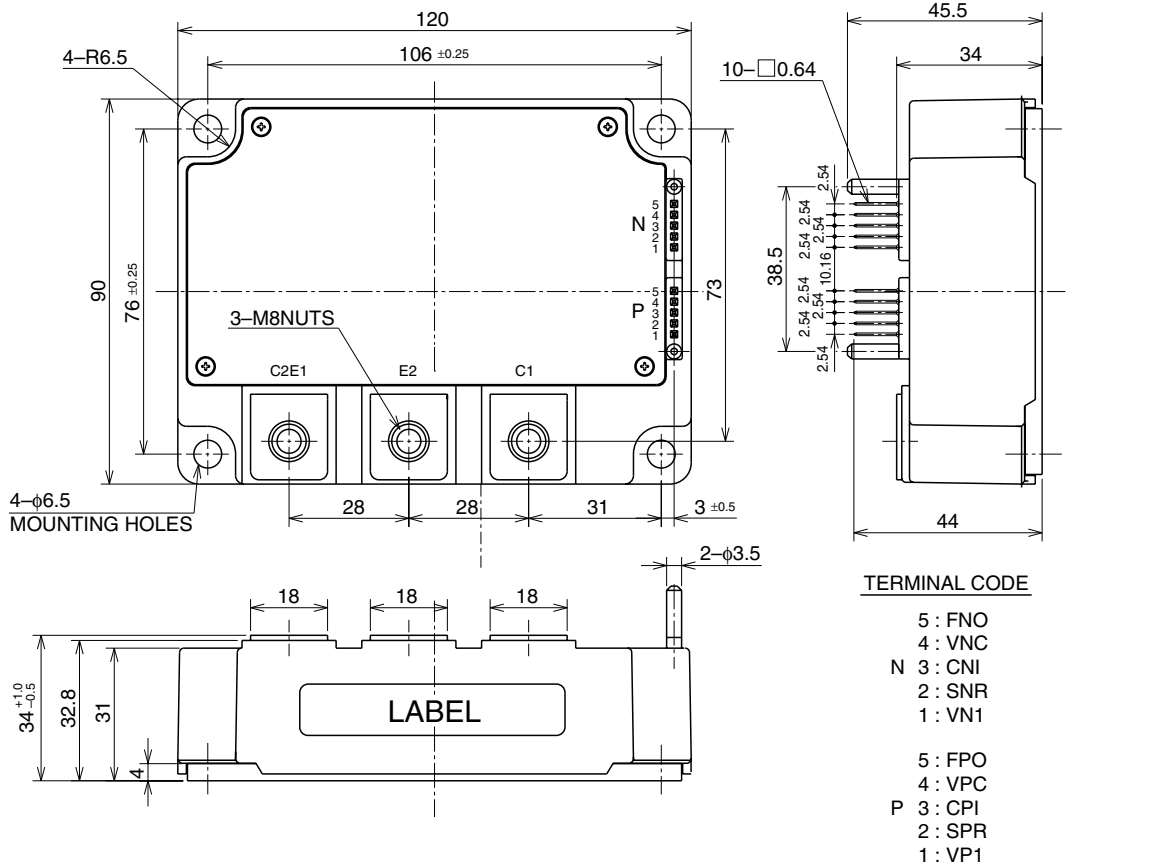
Yellow Card No. E80276(N)

File No. E80271

## APPLICATION

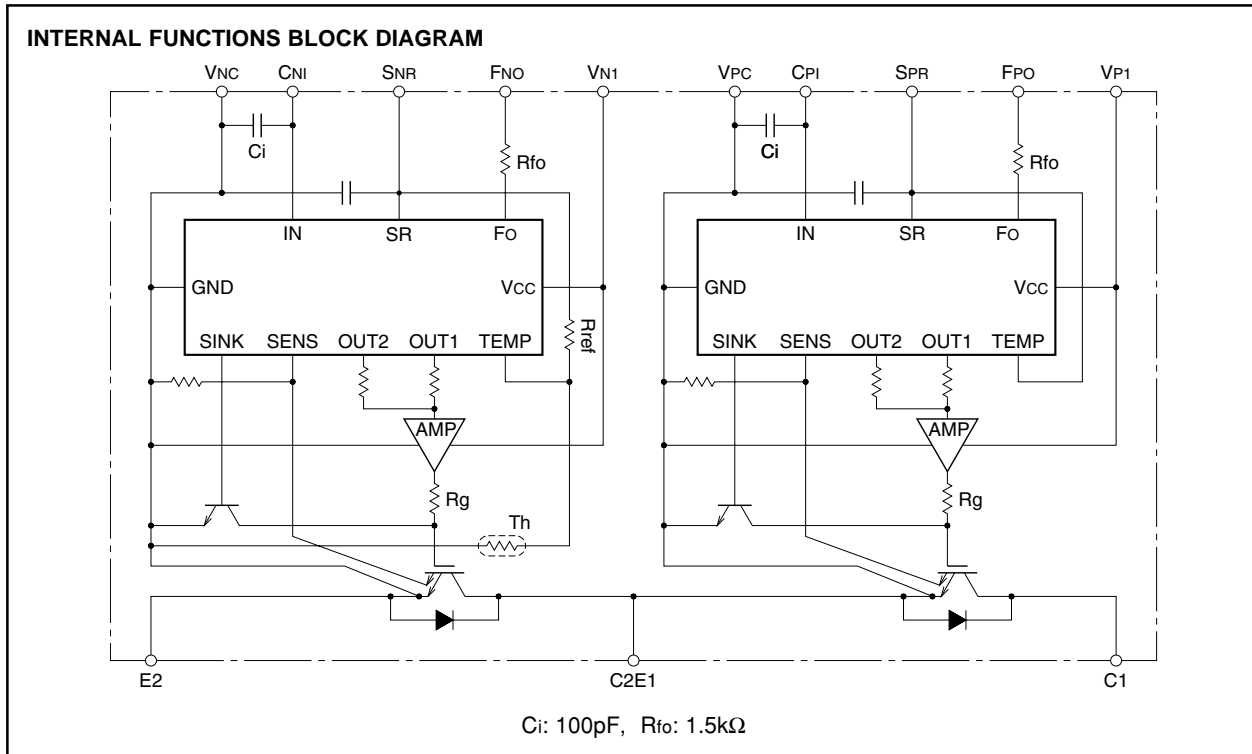
General purpose inverter, servo drives and other motor controls

## PACKAGE OUTLINES



# PM600DVA060

FLAT-BASE TYPE  
INSULATED PACKAGE



**MAXIMUM RATINGS** (Tj = 25°C, unless otherwise noted)

**INVERTER PART**

Symbol	Parameter	Condition	Ratings	Unit
V <sub>CES</sub>	Collector-Emitter Voltage	V <sub>D</sub> = 15V, V <sub>CIN</sub> = 5V	600	V
±I <sub>C</sub>	Collector Current	T <sub>C</sub> = 25°C	600	A
±I <sub>CP</sub>	Collector Current (Peak)	T <sub>C</sub> = 25°C	1200	A
P <sub>C</sub>	Collector Dissipation	T <sub>C</sub> = 25°C	1260	W
T <sub>j</sub>	Junction Temperature		-20 ~ +150	°C

**CONTROL PART**

Symbol	Parameter	Condition	Ratings	Unit
V <sub>D</sub>	Supply Voltage	Applied between : VP1-VPC, VN1-VNC	20	V
V <sub>CIN</sub>	Input Voltage	Applied between : CPI-VPC, CNI-VNC	10	V
V <sub>FO</sub>	Fault Output Supply Voltage	Applied between : FPO-VPC, FNO-VNC	20	V
I <sub>FO</sub>	Fault Output Current	Sink current at FPO, FNO terminal	20	mA

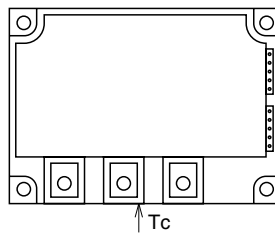
# PM600DVA060

FLAT-BASE TYPE  
INSULATED PACKAGE

## TOTAL SYSTEM

Symbol	Parameter	Condition	Ratings	Unit
V <sub>CC(PROT)</sub>	Supply Voltage Protected by SC	V <sub>D</sub> = 13.5 ~ 16.5V, Inverter Part, T <sub>j</sub> = 125°C Start	400	V
V <sub>CC(surge)</sub>	Supply Voltage (Surge)	Applied between : C1-E2, Surge value or without switching	500	V
T <sub>C</sub>	Module Case Operating Temperature	(Note-1)	-20 ~ +100	°C
T <sub>stg</sub>	Storage Temperature		-40 ~ +125	°C
V <sub>iso</sub>	Isolation Voltage	60Hz, Sinusoidal, Charged part to Base, AC 1 min.	2500	V <sub>rms</sub>

(Note-1) T<sub>C</sub> measurement point is below. (3mm depth at the center of the side of base plate)



## ELECTRICAL CHARACTERISTICS (T<sub>j</sub> = 25°C, unless otherwise noted)

### INVERTER PART

Symbol	Parameter	Test Condition	Limits			Unit	
			Min.	Typ.	Max.		
V <sub>CE(sat)</sub>	Collector-Emitter Saturation Voltage	V <sub>D</sub> = 15V, I <sub>C</sub> = 600A V <sub>CIN</sub> = 0V	T <sub>j</sub> = 25°C	—	2.35	2.80	V
			T <sub>j</sub> = 125°C	—	2.55	3.05	
V <sub>EC</sub>	FWDI Forward Voltage	-I <sub>C</sub> = 600A, V <sub>D</sub> = 15V, V <sub>CIN</sub> = 5V	—	2.20	3.30	V	
t <sub>on</sub>	Switching Time	V <sub>D</sub> = 15V, V <sub>CIN</sub> = 0V↔5V V <sub>CC</sub> = 300V, I <sub>C</sub> = 600A T <sub>j</sub> = 125°C Inductive Load (upper and lower arm)	—	0.4	0.8	2.1	μs
t <sub>rr</sub>			—	0.2	0.3		
t <sub>c(on)</sub>			—	0.3	1.1		
t <sub>off</sub>			—	1.8	2.9		
t <sub>c(off)</sub>			—	0.6	1.2		
I <sub>CES</sub>	Collector-Emitter Cutoff Current	V <sub>CE</sub> = V <sub>CES</sub> , V <sub>CIN</sub> = 5V	T <sub>j</sub> = 25°C	—	—	1	mA
			T <sub>j</sub> = 125°C	—	—	10	

### CONTROL PART

Symbol	Parameter	Test Condition	Limits			Unit	
			Min.	Typ.	Max.		
I <sub>D</sub>	Circuit Current	V <sub>D</sub> = 15V, V <sub>CIN</sub> = 5V	V <sub>N1</sub> -V <sub>NC</sub>	—	27	38	mA
			V <sub>P1</sub> -V <sub>PC</sub>	—	27	38	
V <sub>th(ON)</sub>	Input ON Threshold Voltage	Applied between : C <sub>P1</sub> -V <sub>PC</sub> , C <sub>N1</sub> -V <sub>NC</sub>	1.2	1.5	1.8	V	
V <sub>th(OFF)</sub>	Input OFF Threshold Voltage		1.7	2.0	2.3		
SC	Short Circuit Trip Level	-20 ≤ T <sub>j</sub> ≤ 125°C, V <sub>D</sub> = 15V	740	—	—	A	
t <sub>off(SC)</sub>	Short Circuit Current Delay Time	V <sub>D</sub> = 15V	—	10	—	μs	
OT	Over Temperature Protection (Lower-arms only)	Base-plate Temperature detection, V <sub>D</sub> = 15V	Trip level	111	118	125	°C
			Reset level	—	100	—	
UV	Supply Circuit Under-Voltage Protection	-20 ≤ T <sub>j</sub> ≤ 125°C	Trip level	11.5	12.0	12.5	V
			Reset level	—	12.5	—	
I <sub>FO(H)</sub>	Fault Output Current	V <sub>D</sub> = 15V, V <sub>FO</sub> = 15V (Note-2)	—	—	0.01	mA	
I <sub>FO(L)</sub>			—	10	15		
t <sub>FO</sub>	Minimum Fault Output Pulse Width	V <sub>D</sub> = 15V (Note-2)	1.0	1.8	—	ms	
V <sub>SXR</sub>	SXR Terminal Output Voltage	-20 ≤ T <sub>j</sub> ≤ 125°C, R <sub>in</sub> =6.8kΩ	4.5	5.1	5.6	V	

(Note-2) Fault output is given only when the internal SC, OT & UV protection.  
 Fault output of OT protection operate by lower arm  
 Fault output of OT, UV protection given pulse while over level.

# PM600DVA060

FLAT-BASE TYPE  
INSULATED PACKAGE

## THERMAL RESISTANCES

Symbol	Parameter	Test Condition	Limits			Unit
			Min.	Typ.	Max.	
R <sub>th(j-c)Q</sub>	Junction to case Thermal Resistances	Inverter IGBT part (per 1/2 module)	—	—	0.099	°C/W
R <sub>th(j-c)F</sub>		Inverter FWDi part (per 1/2 module)	—	—	0.13	
R <sub>th(c-f)</sub>	Contact Thermal Resistance	Case to fin, Thermal grease applied (per 1/2 module)	—	—	0.065	

## MECHANICAL RATINGS AND CHARACTERISTICS

Symbol	Parameter	Test Condition	Limits			Unit
			Min.	Typ.	Max.	
—	Mounting torque	Mounting part screw : M6	3.92	4.90	5.88	N • m
—	Mounting torque	Main terminal screw : M8	8.83	9.81	10.8	N • m
—	Weight		—	720	—	g

## RECOMMENDED CONDITIONS FOR USE

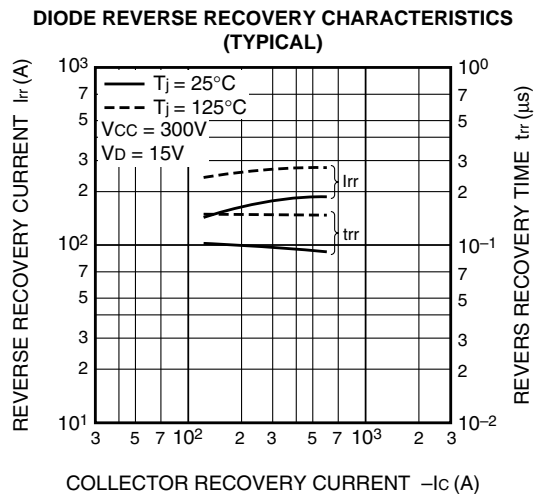
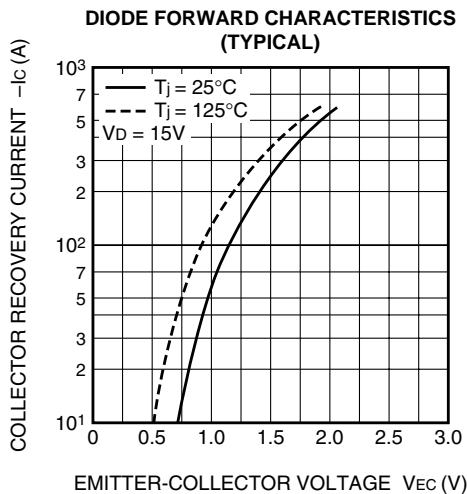
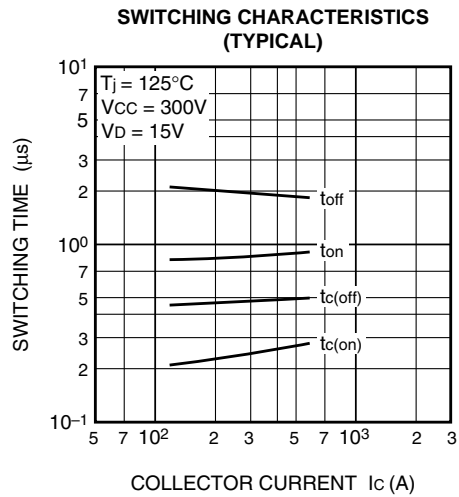
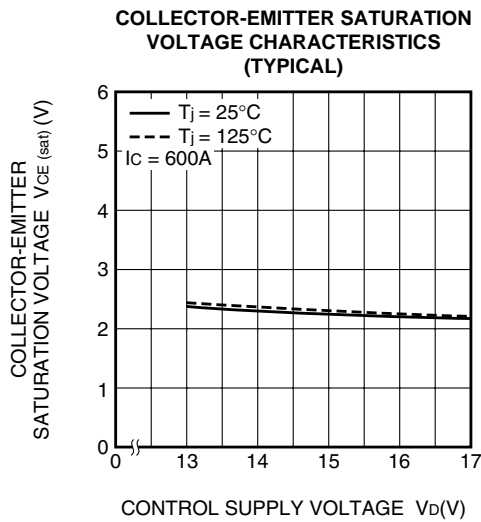
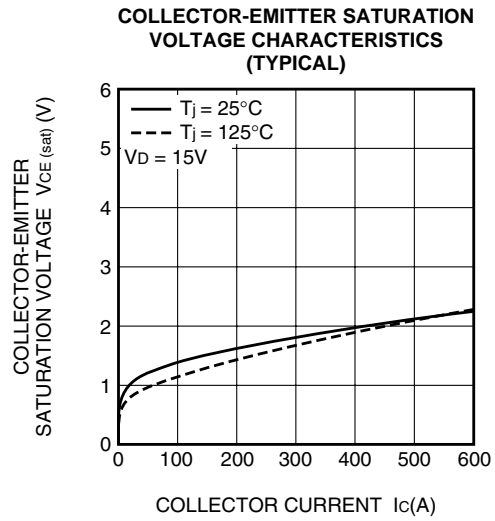
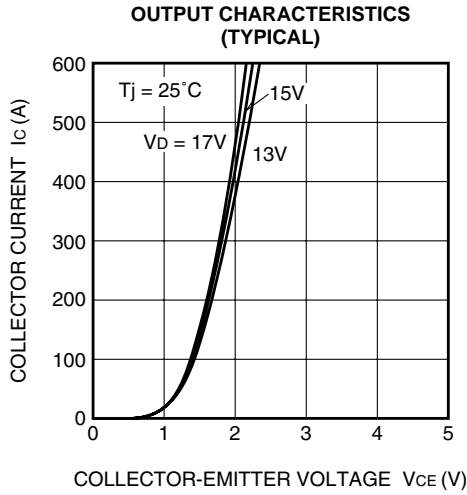
Symbol	Parameter	Test Condition	Recommended value	Unit
V <sub>CC</sub>	Supply Voltage	Applied across C1-E2 terminals	≤ 400	V
V <sub>D</sub>	Control Supply Voltage	Applied between : VP1-VPC, VN1-VNC (Note-3)	15 ± 1.5	V
V <sub>CIN(ON)</sub>	Input ON Voltage	Applied between : CPI-VPC, CNI-VNC	≤ 0.8	V
V <sub>CIN(OFF)</sub>	Input OFF Voltage		≥ 4.0	
t <sub>dead</sub>	Arm Shoot-through Blocking Time	For IPM's each input signals	≥ 3.0	μs
f <sub>PWM</sub>	PWM Input Frequency	Using Application Circuit input signal of IPM, 3φ Sinusoidal PWM VVVF inverter	≤ 20	kHz

(Note-3) With ripple satisfying the following conditions dv/dt swing ≤ ±5V/μs, Variation ≤ 2V peak to peak

# PM600DVA060

FLAT-BASE TYPE  
INSULATED PACKAGE

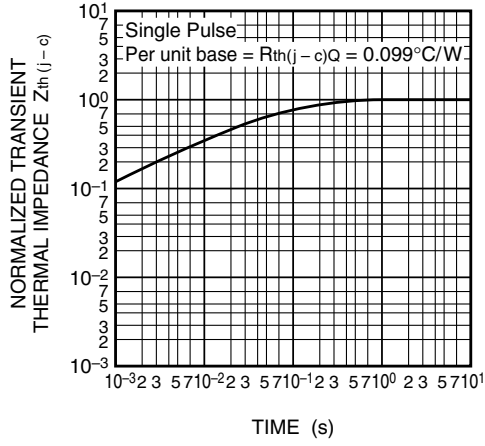
## PERFORMANCE CURVES



**PM600DVA060**

FLAT-BASE TYPE  
INSULATED PACKAGE

**TRANSIENT THERMAL  
IMPEDANCE CHARACTERISTICS  
(IGBT per 1 element)**



**TRANSIENT THERMAL  
IMPEDANCE CHARACTERISTICS  
(FWDi per 1 element)**

