

# Digital Correction Signal Processor

## FEATURES

- Digital Adaptive Pre-Distortion for wideband linearization of power amplifiers in wireless basestations.
- Digital Correction for Analog Quadrature Modulation Distortion.
- Digital Soft Pre-compression for efficiency management.
- Input Signal Bandwidth up to 10 MHz. Sample rate up to 80 MHz.
- Programmable, variable input data rate.
- 16-bit microprocessor bus interface for adaptive control processor compensation engine.
- Serial interface (configurable to SPI or I2C operation) for update of power and carrier values.

- 48 general-purpose IO pins, eight of which are edge-triggered interrupt sources.
- Standard five-signal IEEE 1149.1 JTAG test port for boundary scan board test purposes.

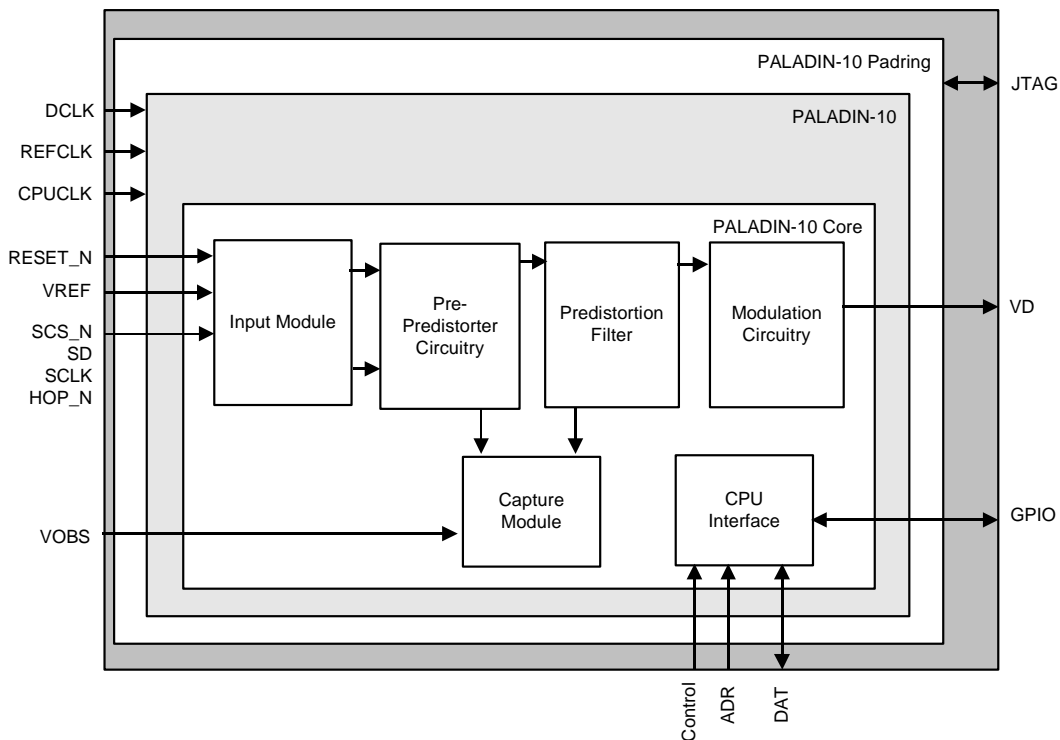
## PACKAGING

- Low-power 1.8 V CMOS core logic with 3.3 V CMOS/TTL compatible digital inputs and digital outputs.
- Industrial temperature range (-40 °C to +85 °C).
- 304-pin SBGA with a body size of 31mm x 31mm.

## APPLICATIONS

- Multi-carrier WCDMA Base Transceiver Subsystems (BTS).
- CDMA2000 BTS (requires firmware upgrade).
- GSM/TDMA/EDGE BTS (requires firmware upgrade).

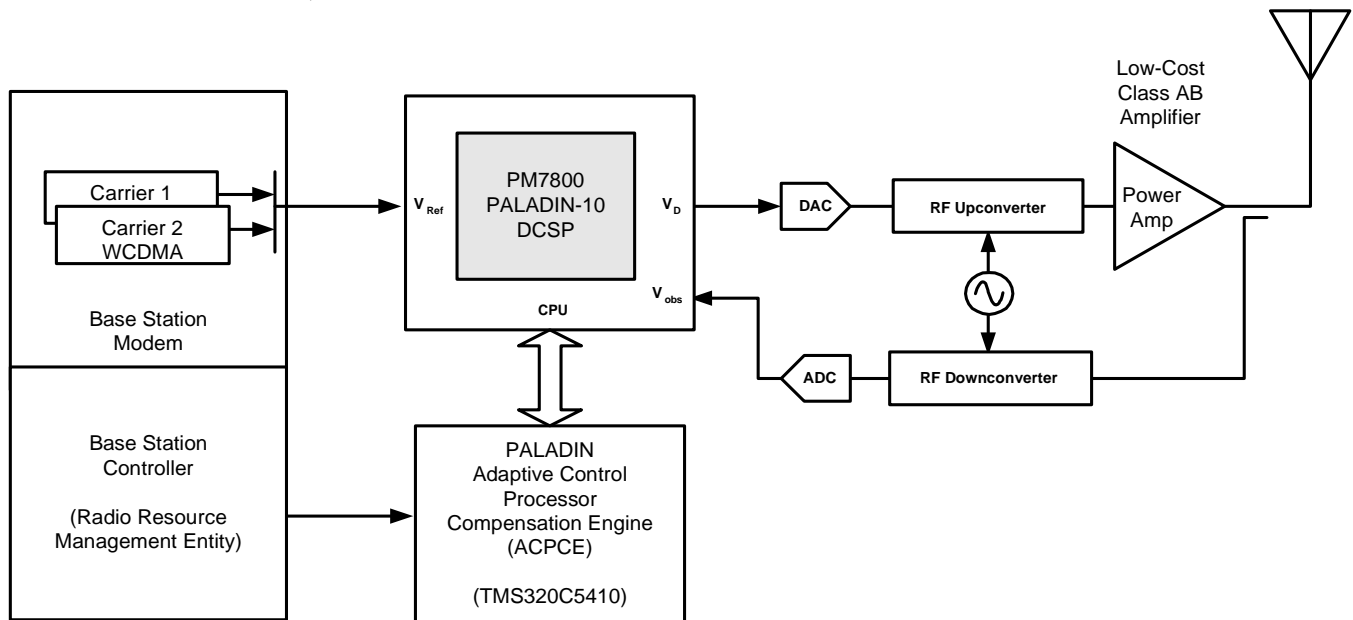
## BLOCK DIAGRAM



# Digital Correction Signal Processor

## TYPICAL APPLICATIONS

### PALADIN-10 MCPA-EQUIPPED BTS



Head Office:  
 PMC-Sierra, Inc.  
 #105 - 8555 Baxter Place  
 Burnaby, B.C. V5A 4V7  
 Canada  
 Tel: 604.415.6000  
 Fax: 604.415.6200

To order documentation,  
 send email to:  
 document@pmc-sierra.com  
 or contact the head office,  
 Attn: Document Coordinator

All product documentation is available  
 on our web site at:  
<http://www.pmc-sierra.com>  
 For corporate information,  
 send email to:  
 info@pmc-sierra.com

PMC-2001613 (P1)  
 © Copyright PMC-Sierra,  
 Inc. 2000. All rights reserved.  
 SATURN and S/UNI are  
 registered trademarks and  
 POS-PHY Level 3 is a  
 trademark of PMC-Sierra,  
 Inc.